

# PARTS MANUAL

## 00. MAINTENANCE

### FILTERS KIT

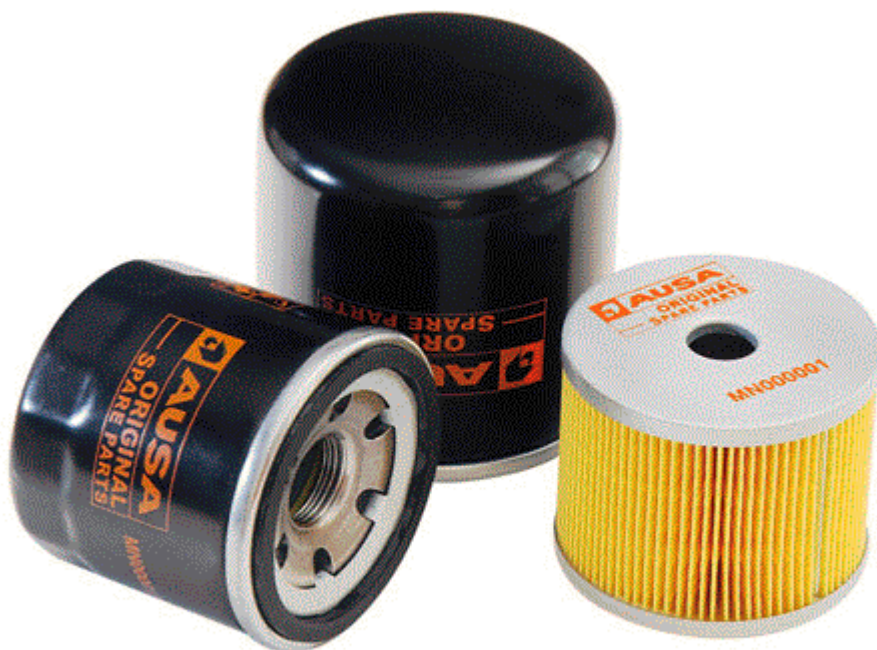


FIGURE	REFERENCE	DENOMINATION	AMOUNT
001	KF.64000RE00	D 600/1000 AP/APG V3600 T FILTERS KIT	1
001.1	MN000032	ENGINE OIL FILTER	1
001.2	MN000024	FUEL FILTER, CARTRIDGE	1
001.3	MN000017	PRE-FILTER, FUEL (200h+50h)	1
001.4	46.02311.00	MAIN FILTER ELEMENT	1
001.5	46.02312.00	SECURITY FILTER ELEMENT	1
001.6	MN000033	OIL FILTER CONVERTER	1

## ENGINE KUBOTA V3800 DI -T ENGINE

### ① MOTOR / ENGINE KUBOTA V3800 DI - T- E2B

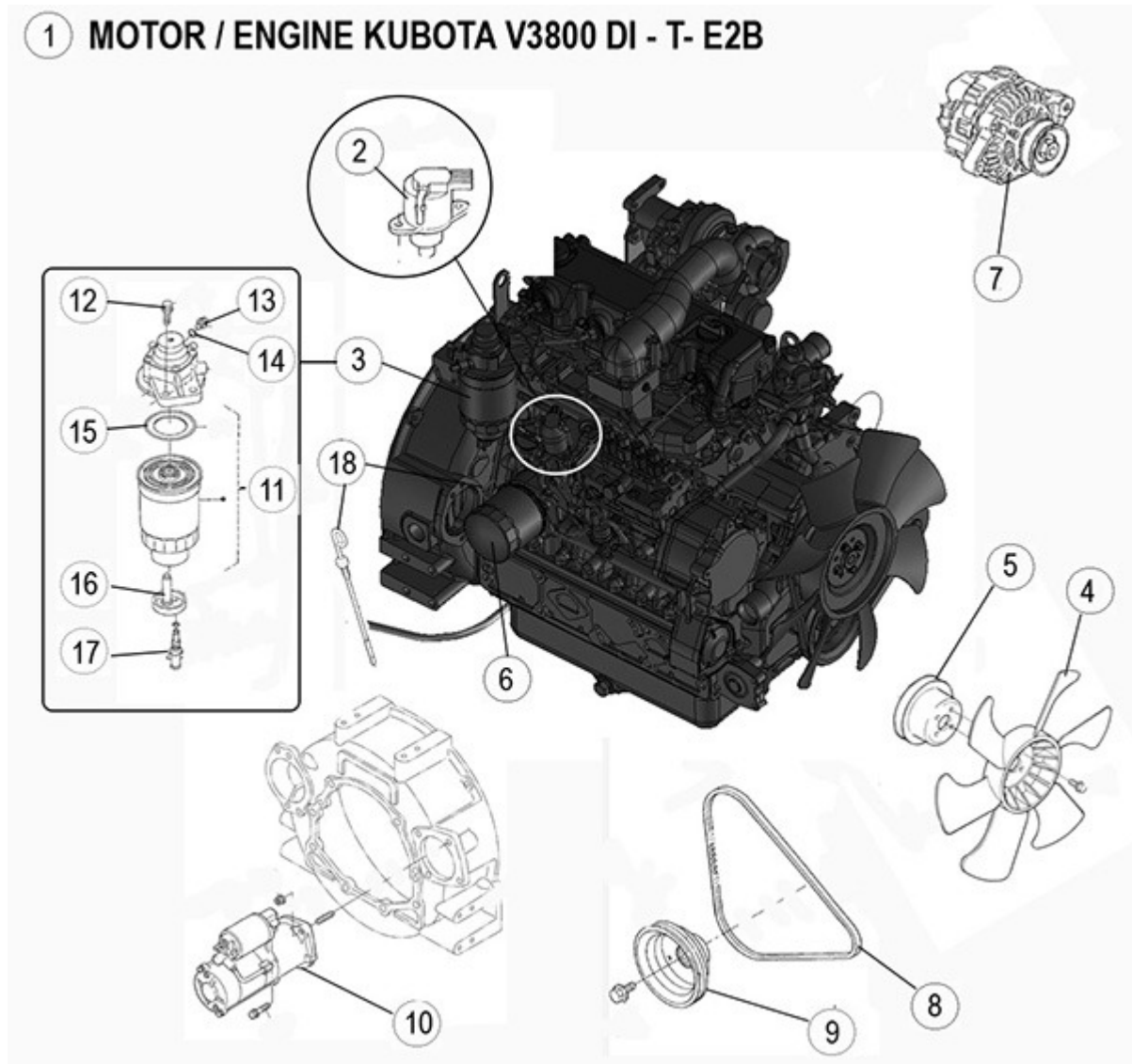


FIGURE	REFERENCE	DENOMINATION	AMOUNT
001	63.02110.00	DIESEL ENGINE V3800DI-T-E2B-AUSA-1	1
002	KU1C01060014	SOLENOID, STOP	1
003	KU1K01143010	ASSY FILTER, FUEL	1
004	KU1K01174110	FAN	1
005	KU1K01174250	PULLEY, FAN	1
006	KU1C02032430	OIL FILTER, CARTRIDGE	1
007	KU1C01164010	ASSY DYNAMO 12V 60A	1
008	KU1K01197010	BELT, V	1
009	KU1K01174282	PULLEY, FAN DRIVE	1
010	KU1K01263010	ASSY STARTER 12V 3.0 KW	1
011	KU1K01143060	KIT ELEMENT	1
012	KU0177451030	BOLT, FLANGE	2
013	KU1K01143280	PLUG	1

014	KU1430143290	O RING	1
015	KU1K01143140	GASKET	1
016	KU1K01143890	PLUG	1
017	KU1K01143270	ASSY COCK, DRAIN	1
018	KU1C01036422	GUIDE, OIL GAUGE	1

**COMMENTS**

---

MOTOR V3800DI-T-E2B

# ENGINE KUBOTA V3800 DI -T

## ENGINE

CHASSIS: 71099

### ① MOTOR / ENGINE KUBOTA V3800 DI-T- E3B

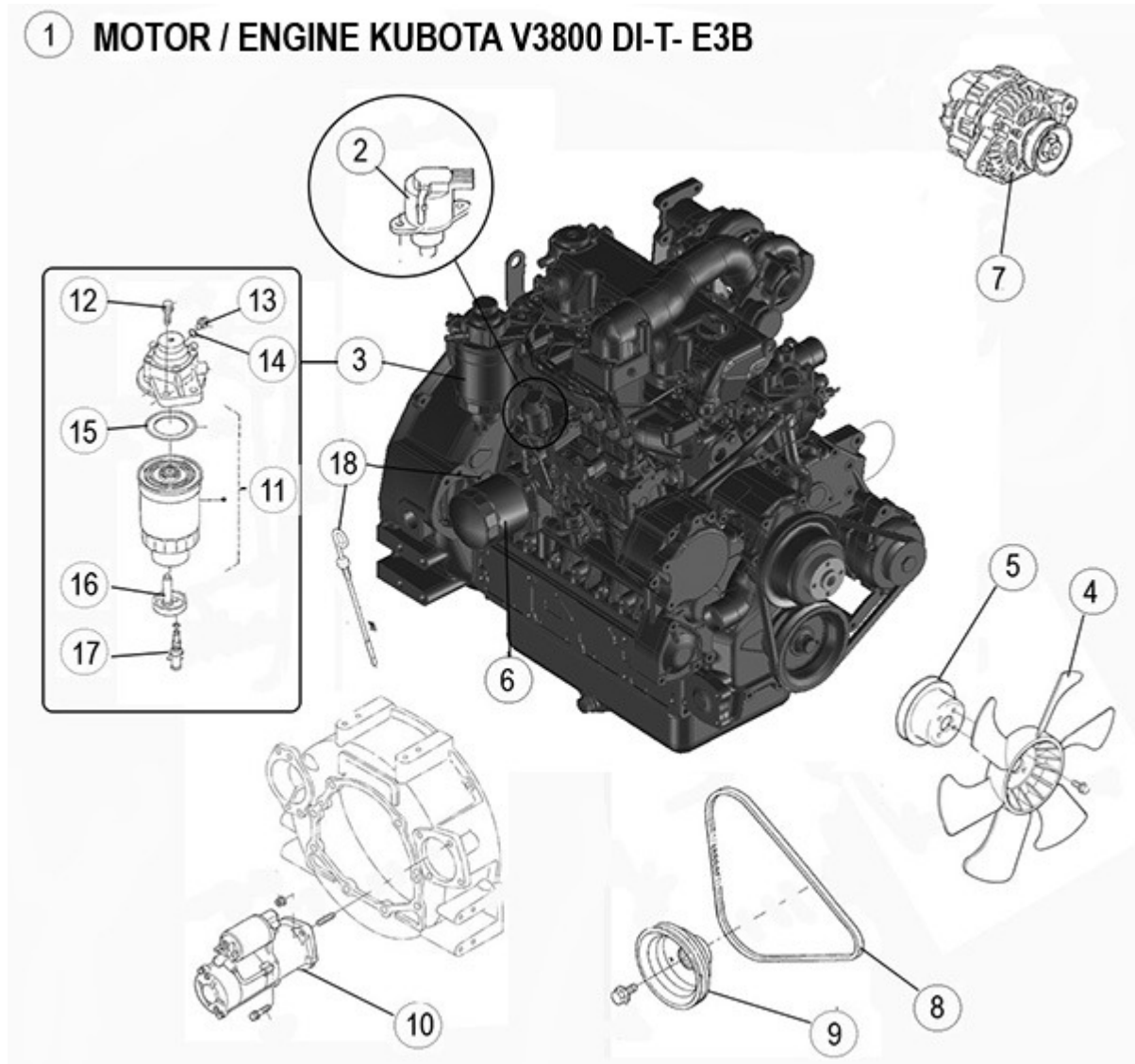


FIGURE	REFERENCE	DENOMINATION	AMOUNT
001	63.02160.00	DIESEL ENGINE KBT V3800-DI-T-EU	1
002	KU1C01060015	SELENOID STOP	1
003	KU1K01143010	ASSY FILTER, FUEL	1
004	30.02120.01	D430X8 BLOWER FAN	1
005	KU1K01174250	PULLEY, FAN	1
006	KUHH1C032430	CARTRIDGE, OIL FILTER	1
007	KU1C01164010	ASSY DYNAMO 12V 60A	1
008	KU1K01197010	BELT, V	1
009	KU1K01174282	PULLEY, FAN DRIVE	1
010	KU1K01263010	ASSY STARTER 12V 3.0 KW	1
011	KU1K01143060	KIT ELEMENT	1
012	KU0177451030	BOLT, FLANGE	1
013	KU1K01143280	PLUG	1

014	KU1430143290	O RING	1
015	KU1K01143140	GASKET	1
016	KU1K01143890	PLUG	1
017	KU1K01143270	ASSY COCK, DRAIN	1
018	KU1C01036412	GAUGE, OIL	1

**COMMENTS**

---

SUSTITUCION DE MOTOR V3800DI-E3B

## KUBOTA ENGINE MOTOR COUPLING

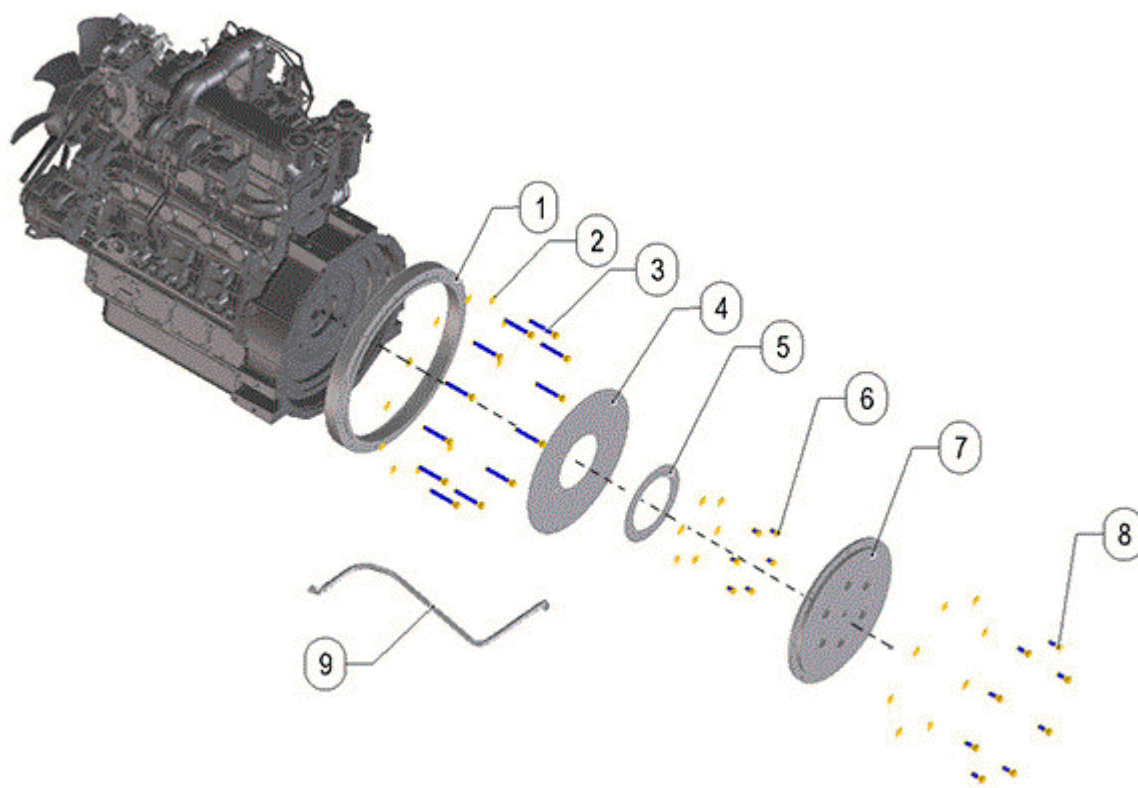


FIGURE	REFERENCE	DENOMINATION	AMOUNT
001	64.02118.00	COUPLING CYL/CYL	1
002	101.09000.66	WASHER DIN125	26
003	607.10070.86	BOLT DIN933 3/8 70	12
004	64.02135.00	PLATE	1
005	64.02136.00	CROWN	1
006	629.10012.90	BOLT DIN933 3/8 12	6
007	64.02121.00	COUPLING CYL/CYL	1
008	607.10025.90	BOLT DIN933 3/8 25	8
009	64.10327.00	HYDRAULIC HOSE R1T1/2 TL/TL7/8JIC 600	1

## KUBOTA ENGINE EXHAUST PIPE

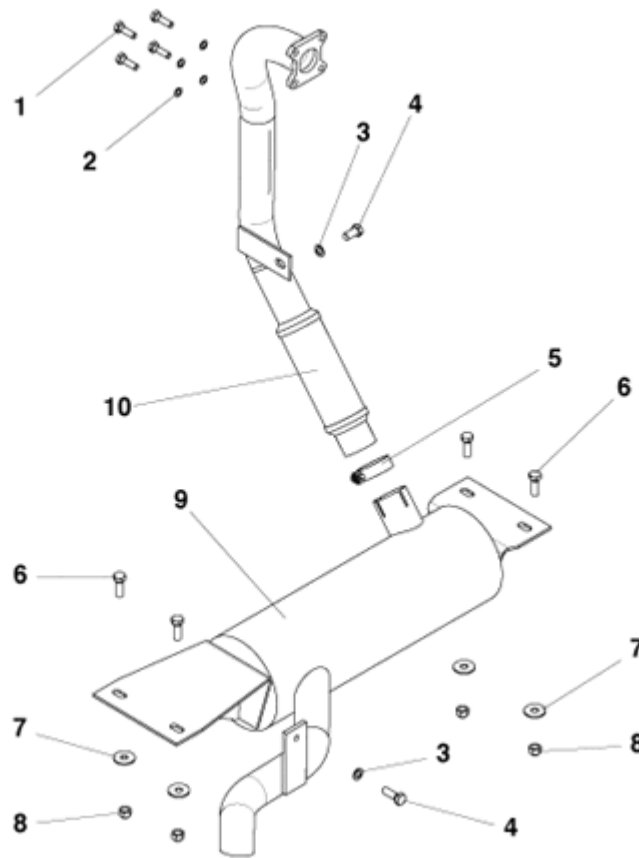


FIGURE	REFERENCE	DENOMINATION	AMOUNT
001	617.10035.86	SCREW DIN960 M10x1.25x35	4
002	104.10000.00	WASHER DIN7980 D10	4
003	104.13000.00	WASHER DIN7980 Ø13	2
004	607.12025.66	BOLT DIN933 1/2 -13UNC	2
005	935.51055.66	CLAMP (CH 250)	1
006	604.12035.86	SCREW DIN931 M12x35	4
007	112.12000.66	WASHER DIN9021 D 12X36	4
008	711.12000.66	NUT DIN982 M12	4
009	63.02151.00	MUFFLER 1022X228X462	1
010	63.02145.00	EXHAUST MANIFOLD 876X274X140	1



## KUBOTA ENGINE AIR FILTER

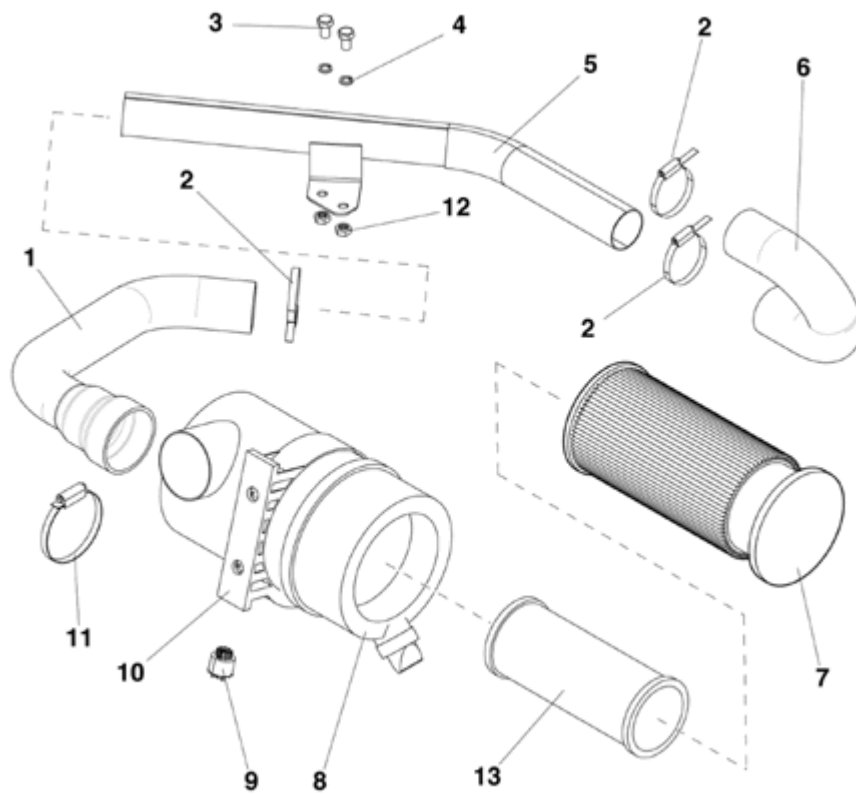
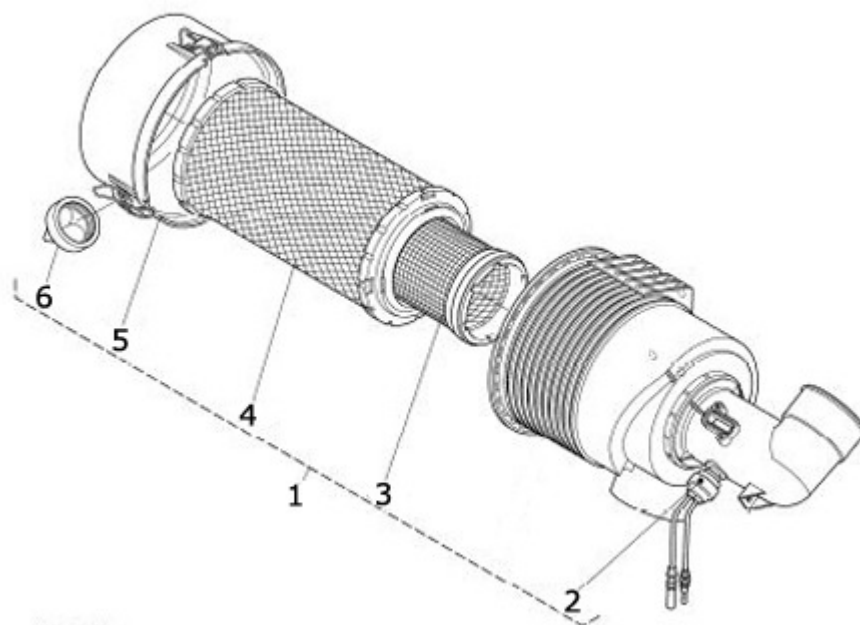


FIGURE	REFERENCE	DENOMINATION	AMOUNT
001	63.02114.00	RUBBER HOSE B/P 45x55x300	1
002	912.70090.66	CLAMP D70-90	3
003	617.12020.86	BOLT DIN933 M12x20x1,25	2
004	104.12000.00	WASHER DIN7980 D12	2
005	64.02119.00	TUBE, METALLIC 695x60x60	1
006	63.02141.00	RUBBER HOSE B/P 60x70x390	1
007	46.02311.00	MAIN FILTER ELEMENT	1
008	64.02116.00	AIRE CLEANER	1
009	43.50119.00	AIR FILTER INDICATOR	1
010	46.02310.00	HOSE CLAMP FILTER	1
011	912.90110.66	HOSE CLAMP Ø90-110	1
012	711.08000.66	NUT DIN982 M8	2
013	46.02312.00	SECURITY FILTER ELEMENT	1

# KUBOTA ENGINE

## AIR FILTER

CHASSIS: 72119



3V205-005-10

FIGURE	REFERENCE	DENOMINATION	AMOUNT
001	KU1J50011010	ASSY. AIR CLEANER	1
002	KU15831111090	INDICATOR, ASSY	1
003	KU5970026112	FILTER ELEMENT	1
004	KU5523126150	ELEMENT (INNER)	1
005	KU5970026130	COVER ASSY	1
006	KU5970026140	VALVE	1

## KUBOTA ENGINE ACCELERATOR PEDAL

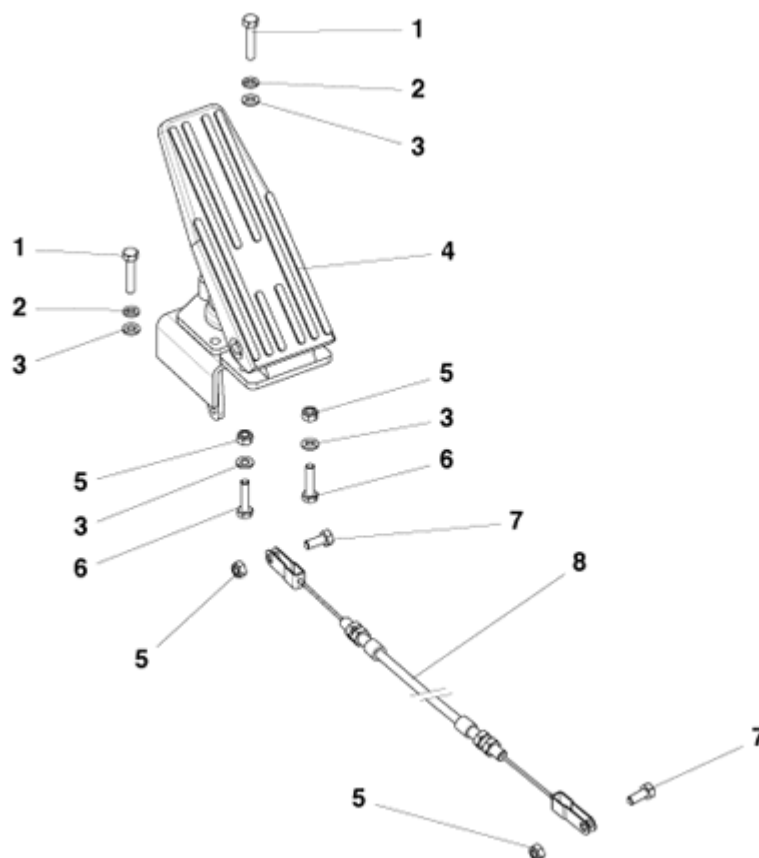


FIGURE	REFERENCE	DENOMINATION	AMOUNT
001	603.06030.86	SCREW DIN933 M6x30	2
002	104.06000.00	WASHER DIN7980 D6	2
003	101.06000.66	WASHER DIN125 D6	4
004	43.70127.00	ACCEL. PEDAL	1
005	720.06000.66	NUT	4
006	603.06025.86	SCREW DIN933 M6x25	2
007	603.06015.86	SCREW DIN933 M6x15	2
008	64.02138.00	ACTIONAMENT CABLE	1

## KUBOTA ENGINE

### RÉSERVOIR DE CARBURANT (PARTIE 1)

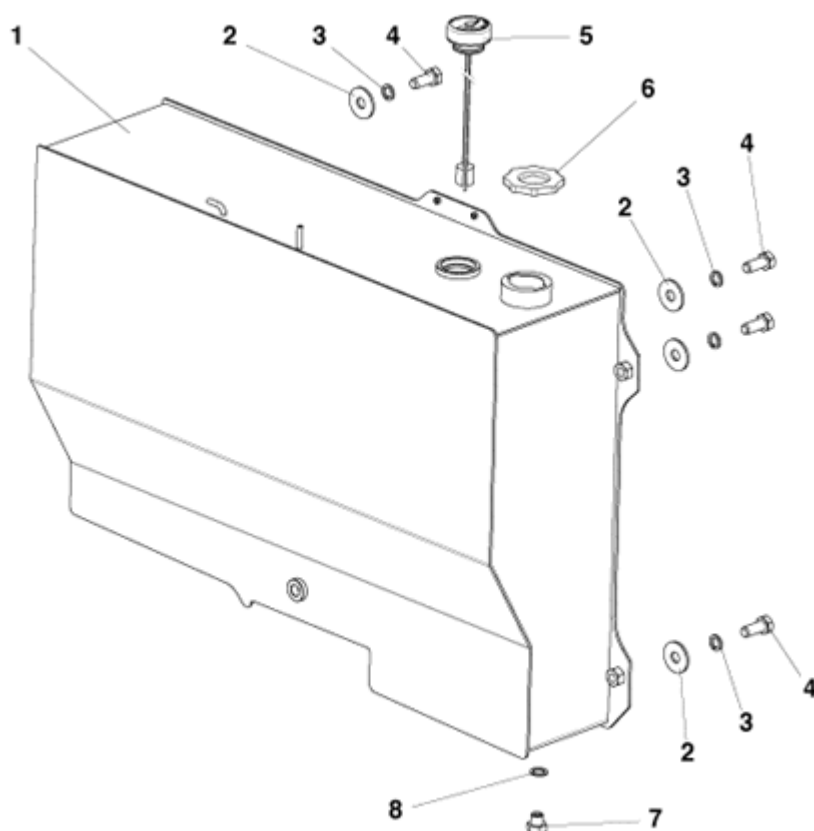


FIGURE	REFERENCE	DENOMINATION	AMOUNT
001	64.02111.01	GAS-OIL TANK 830X568X210	1
002	112.12000.66	WASHER DIN9021 D 12X36	4
003	104.12000.00	WASHER DIN7980 D12	4
004	603.12030.86	SCREW DIN933 M12x30	4
005	70.02039.00	FUEL NEEDLE LEVEL	1
006	15.01524.00	TANK CAP	1
007	00.02803.00	SCREW DIN910*	1
008	107.14000.10	WASHER AL 14x20x1.5	1

## KUBOTA ENGINE

### RÉSERVOIR DE CARBURANT (PARTIE 1)

CHASSIS: 61801

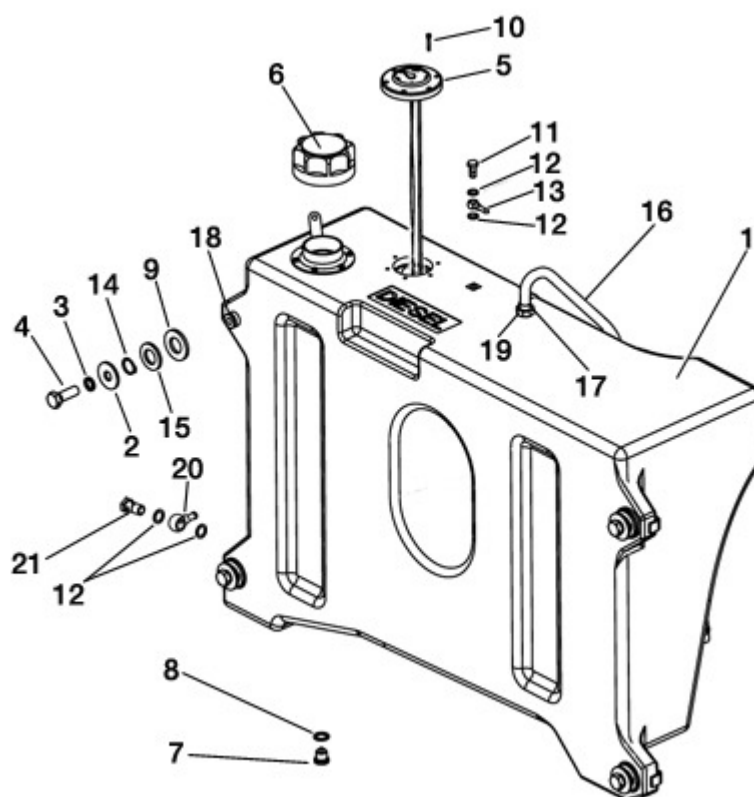


FIGURE	REFERENCE	DENOMINATION	AMOUNT
001	64.02111.02	DIESEL TANK 65 L.	1
002	112.12000.66	WASHER DIN9021 D 12X36	4
003	104.12000.00	WASHER DIN7980 D12	4
004	604.12035.86	SCREW DIN931 M12x35	4
005	64.02401.00	FUEL GAUGE	1
006	30.02042.00	CAP. THEFT PROOF TANK	1
007	10.00921.00	CAP M14X150 DIN908	1
008	107.14000.10	WASHER AL 14x20x1.5	1
009	10.00634.00	CIR-CLIP EXT. DIN7980	4
010	601.03020.86	HEXAGON SOCKET HEAD SCREW DIN912 M3x20	6
011	80.06041.00	FITTING SCREW SIM. M8x1x16	1
012	107.08000.10	WASHER AL 8x13.5x1.5	4
013	45.04107.00	FITTING O/TB D3-D8.2	1
014	904.20000.00	RING 0,5 MM.	4
015	101.20000.66	WASHER DIN125	4
016	469.03014.00	HOSE L/P MAT. 8x14	3
017	948.01308.00	SPRING CLAMP Ø13	4
018	64.10122.00	BUSH 32x30	4

**KUBOTA ENGINE****RÉSERVOIR DE CARBURANT (PARTIE 1)**

CHASSIS: 61801

FIGURE	REFERENCE	DENOMINATION	AMOUNT
019	52.00110.02	FITTING M/M 14x9	1
020	45.04107.00	FITTING O/TB D3-D8.2	1
021	80.06041.00	FITTING SCREW SIM. M8x1x16	1

**COMMENTS**

PRIMERA MÁQUINA CON DEPOSITO NUEVO: 61621 FIRST MACHINE WITH NEW TANK: 61621

## KUBOTA ENGINE

### RÉSERVOIR DE CARBURANT (PARTIE 1)

CHASSIS: 69730

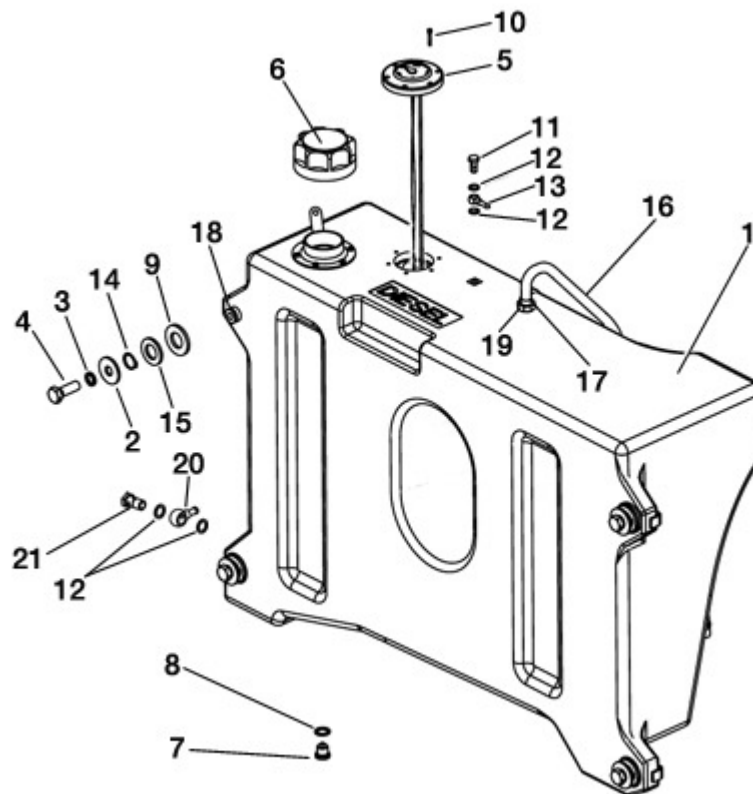


FIGURE	REFERENCE	DENOMINATION	AMOUNT
001	64.02111.02	DIESEL TANK 65 L.	1
002	112.12000.66	WASHER DIN9021 D 12X36	4
003	104.12000.00	WASHER DIN7980 D12	4
004	604.12035.86	SCREW DIN931 M12x35	4
005	64.02401.01	FUEL LEVEL 400MM	1
006	30.02042.00	CAP. THEFT PROOF TANK	1
007	10.00921.00	CAP M14X150 DIN908	1
008	107.14000.10	WASHER AL 14x20x1.5	1
009	10.00634.00	CIR-CLIP EXT. DIN7980	4
010	601.03020.86	HEXAGON SOCKET HEAD SCREW DIN912 M3x20	6
011	80.06041.00	FITTING SCREW SIM. M8x1x16	1
012	107.08000.10	WASHER AL 8x13.5x1.5	4
013	45.04107.00	FITTING O/TB D3-D8.2	1
014	904.20000.00	RING 0,5 MM.	4
015	101.20000.66	WASHER DIN125	4
016	469.03014.00	HOSE L/P MAT. 8x14	3
017	948.01308.00	SPRING CLAMP Ø13	4
018	64.10122.00	BUSH 32x30	4

**KUBOTA ENGINE****RÉSERVOIR DE CARBURANT (PARTIE 1)**

CHASSIS: 69730

FIGURE	REFERENCE	DENOMINATION	AMOUNT
019	52.00110.02	FITTING M/M 14x9	1
020	45.04107.00	FITTING O/TB D3-D8.2	1
021	80.06041.00	FITTING SCREW SIM. M8x1x16	1



## KUBOTA ENGINE

### RÉSERVOIR DE CARBURANT (PARTIE 1)

CHASSIS: 71155

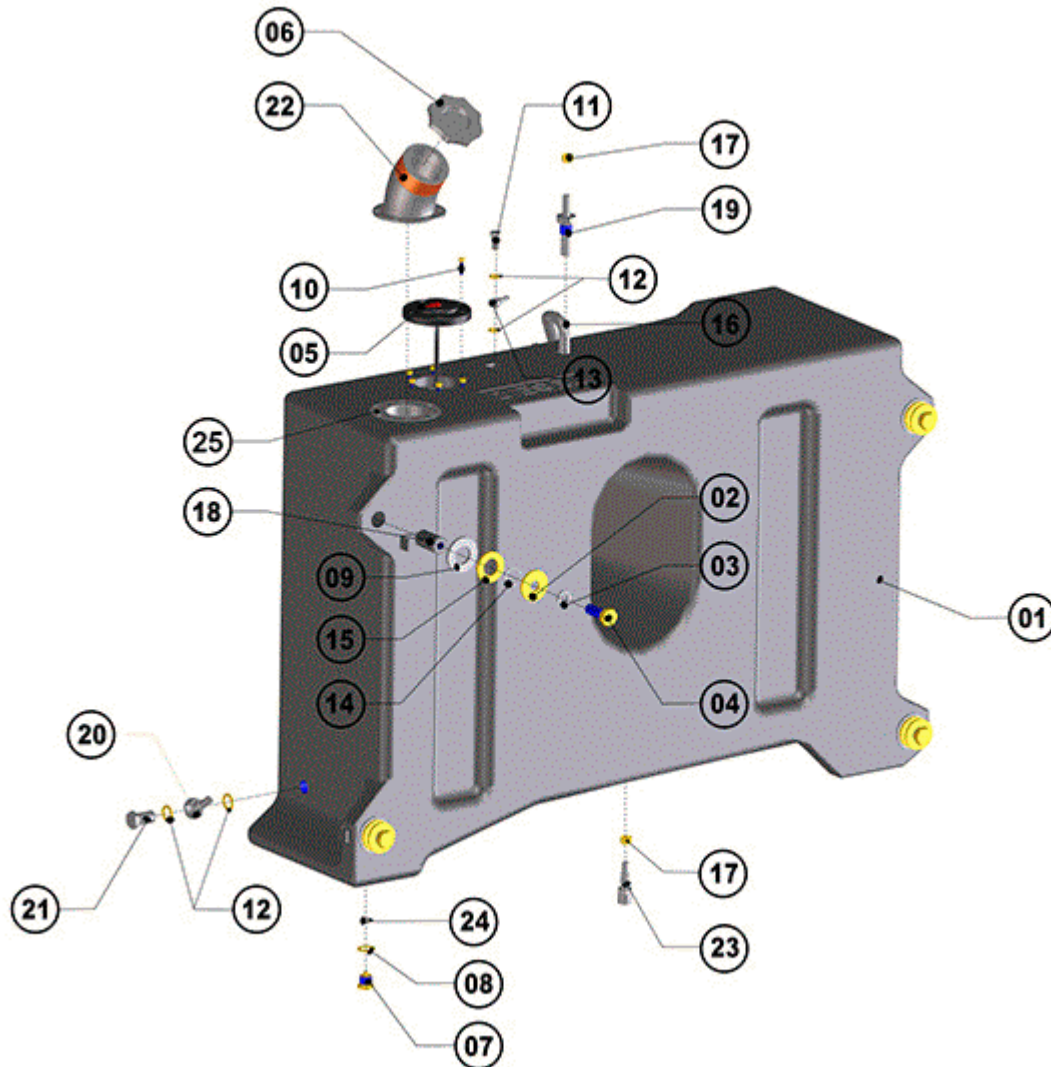


FIGURE	REFERENCE	DENOMINATION	AMOUNT
001	64.02111.02	DIESEL TANK 65 L.	1
002	112.12000.66	WASHER DIN9021 D 12X36	4
003	104.12000.00	WASHER DIN7980 D12	4
004	604.12035.86	SCREW DIN931 M12x35	4
005	64.02401.01	FUEL LEVEL 400MM	1
006	15.01524.00	TANK CAP	1
007	10.00921.00	CAP M14X150 DIN908	1
008	107.14000.10	WASHER AL 14x20x1.5	1
009	10.00634.00	CIR-CLIP EXT. DIN7980	4
010	601.03020.86	HEXAGON SOCKET HEAD SCREW DIN912 M3x20	6
011	80.06041.00	FITTING SCREW SIM. M8x1x16	1
012	107.08000.10	WASHER AL 8x13.5x1.5	4
013	45.04107.00	FITTING O/TB D3-D8.2	1

014	904.20000.00	RING 0,5 MM.	4
015	101.20000.66	WASHER DIN125	4
016	469.03014.00	HOSE L/P MAT. 8x14	3
017	948.01308.00	SPRING CLAMP Ø13	4
018	64.10122.00	BUSH 32x30	4
019	52.00110.02	FITTING M/M 14x9	1
020	45.04107.00	FITTING O/TB D3-D8.2	1
021	80.06041.00	FITTING SCREW SIM. M8x1x16	1
022	64.02158.00	DIESEL PLUG COUPLING	1
023	46.08063.00	RACORD M/H D8XD1/4X49	1
024	201.12002.50	O-RING DIN3770	1
025	64.02159.00	SEAL 85X58X2	1

**COMMENTS**

---

MOD.4310

## KUBOTA ENGINE

### RÉSERVOIR DE CARBURANT (PARTIE 2)

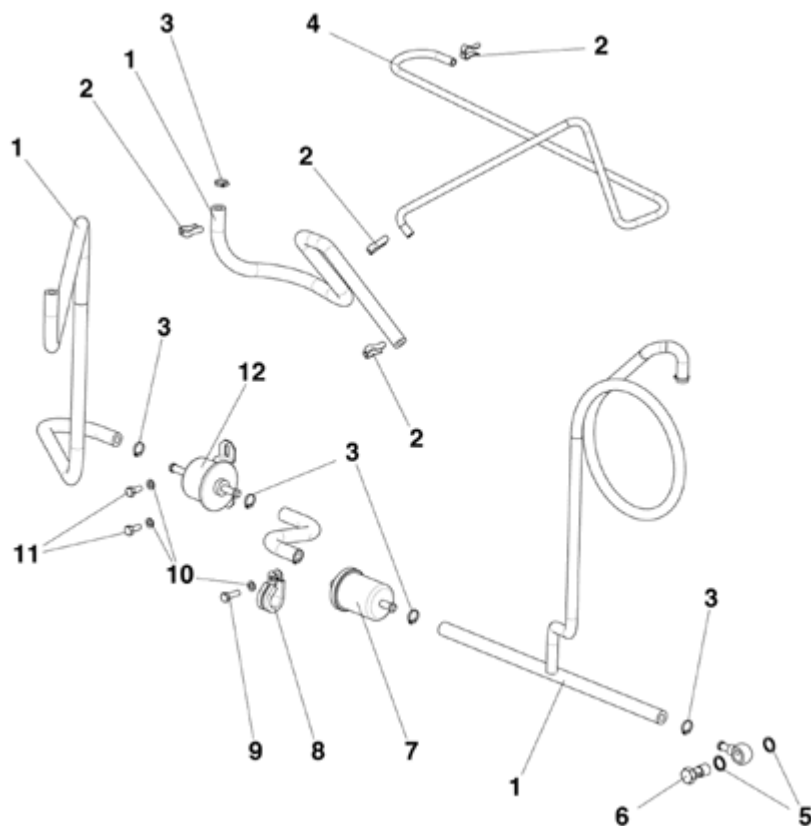


FIGURE	REFERENCE	DENOMINATION	AMOUNT
001	469.03014.00	HOSE L/P MAT. 8x14	1
002	948.00907.00	CLAMP SPRING D9	4
003	912.08016.66	CLAMP DIN3017	7
004	469.15009.00	PLASTIC HOSE 6X9	1
005	28.00341.00	METALLIC GASKET BUNA D1/4	2
006	28.00340.00	SIMPLE SCREW FITTING 1/4 Gx26	1
007	MN000017	PRE-FILTER, FUEL (200h+50h)	1
008	830.01806.00	CLAMP LOOP	1
009	603.06020.86	SCREW DIN933 M6x20	1
010	104.06000.00	WASHER DIN7980 D6	3
011	603.06015.86	SCREW DIN933 M6x15	2
012	KURC60151351	FUEL ASSY PUMP	1

## KUBOTA ENGINE

### RÉSERVOIR DE CARBURANT (PARTIE 2)

CHASSIS: 71099

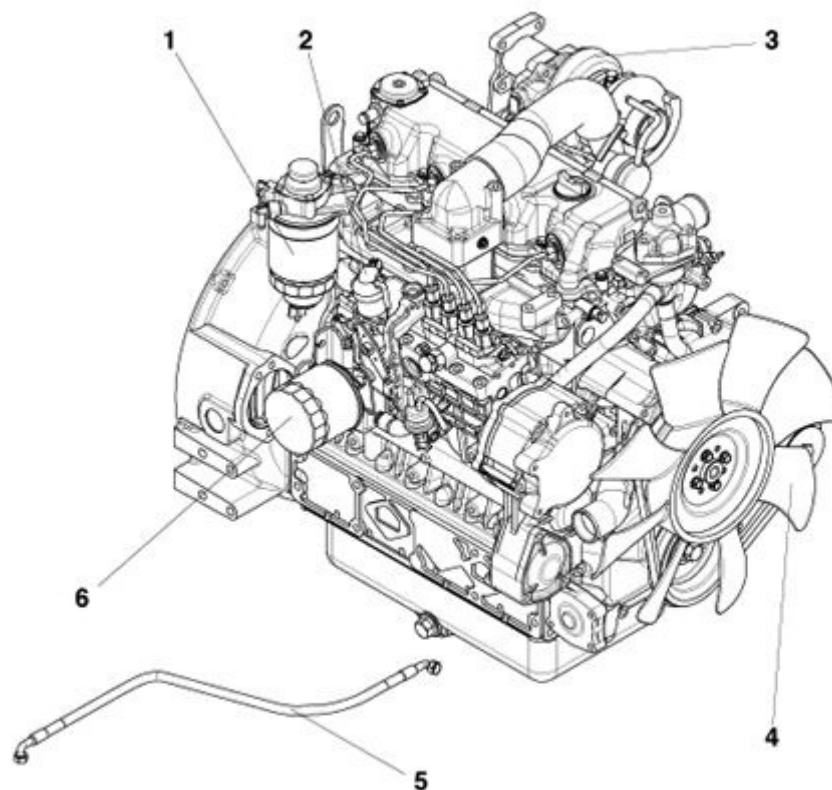


FIGURE	REFERENCE	DENOMINATION	AMOUNT
001	469.03014.00	HOSE L/P MAT. 8x14	1
002	948.00907.00	CLAMP SPRING D9	4
003	912.08016.66	CLAMP DIN3017	7
004	469.15009.00	PLASTIC HOSE 6X9	1
005	28.00341.00	METALLIC GASKET BUNA D1/4	2
006	28.00340.00	SIMPLE SCREW FITTING 1/4 Gx26	1
007	KU.10034.00	FILTER FUEL	1
008	830.01806.00	CLAMP LOOP	1
009	603.06020.86	SCREW DIN933 M6x20	1
010	104.06000.00	WASHER DIN7980 D6	3
011	603.06015.86	SCREW DIN933 M6x15	2
012	KU1G63952031	ELECTRIC PUMP	1

#### COMMENTS

BAMAG since: 66861

## ENGINE KUBOTA V3800 DI -T COOLING RADIATOR

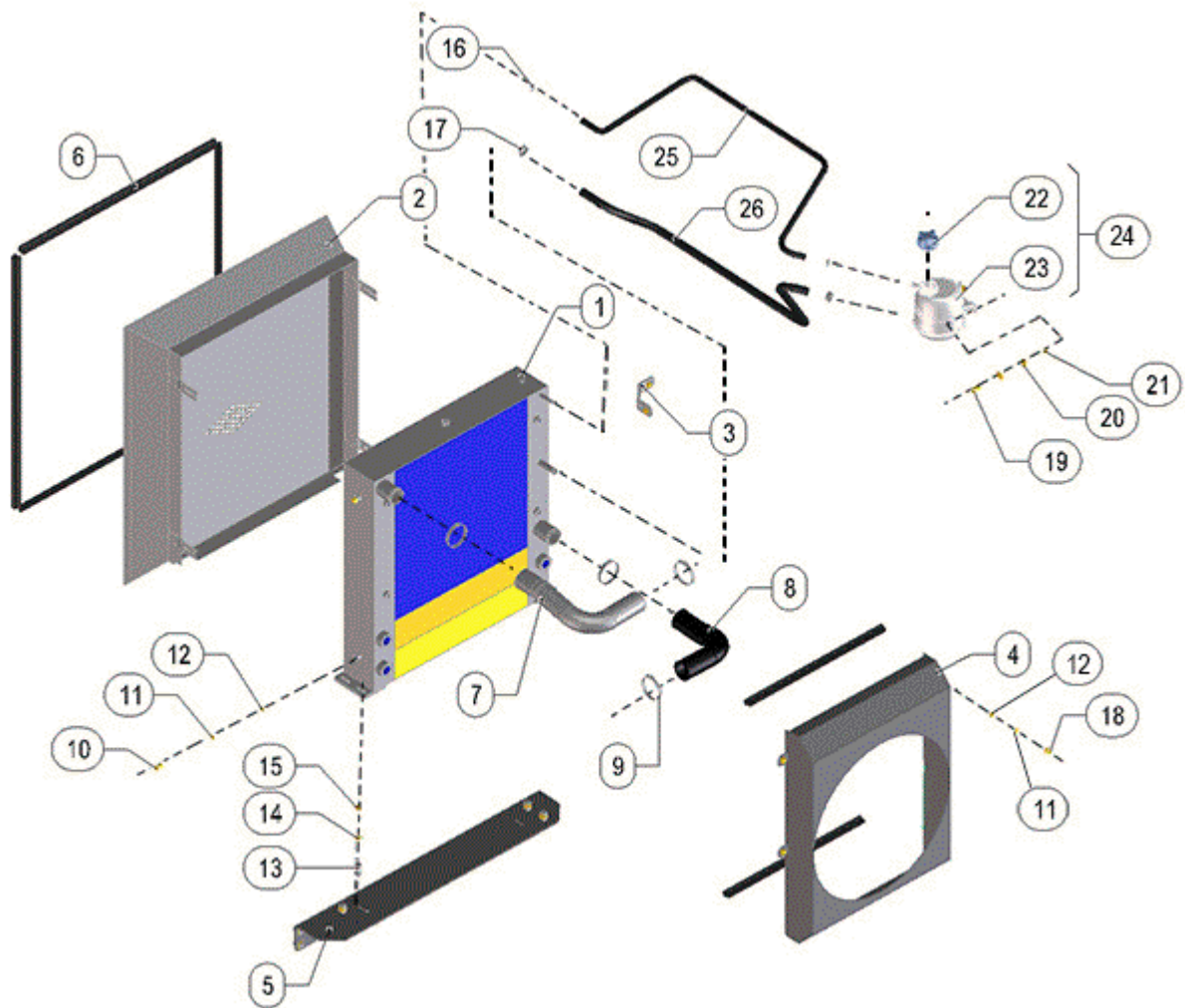


FIGURE	REFERENCE	DENOMINATION	AMOUNT
001	63.02112.00	RADIATOR 662X600X168	1
002	63.02128.00	RADIATOR PROTECTOR 818X700X141	1
003	63.02130.00	SUPPORT 105X105X30	1
004	63.02127.00	RADIATOR PROTECTOR 651X537X100	1
005	63.02129.00	FIXATION SUPPORT 85X133X840	1
006	472.00411.00	RUBBER PROFILE MAT.	1
007	63.02115.00	RUBBER HOSE B/P 45x55x370	1
008	63.02124.00	RUBBER HOSE B/P 45x55x360	1
009	912.40060.66	CLAMP D40-60	4
010	603.06015.86	SCREW DIN933 M6x15	5
011	104.06000.00	WASHER DIN7980 D6	10
012	101.06000.66	WASHER DIN125 D6	10
013	603.08030.86	SCREW DIN933 M8X30	4
014	101.08000.66	WASHER DIN125 D8	8
015	711.08000.86	NUT	4
016	912.08016.66	CLAMP DIN3017	2

017	912.20032.00	CLAMP	2
018	603.06010.86	SCREW DIN933 M6x10	4
019	603.06020.86	SCREW DIN933 M6x20	2
020	112.06000.66	WASHER DIN9021 D6	4
021	711.06000.66	NUT DIN982 M6	2
022	09.00172.00	CAP	1
023	09.00171.01	EXPANSION TANK WITHOUT CAP	1
024	46.00171.00	EXPANSION TANK WITH CAP	1
025	469.25015.00	TUBE MAT. B/P 10x15	1
026	464.03024.00	TUBE	1

# ENGINE KUBOTA V3800 DI -T

## COOLING RADIATOR

CHASSIS: 66624

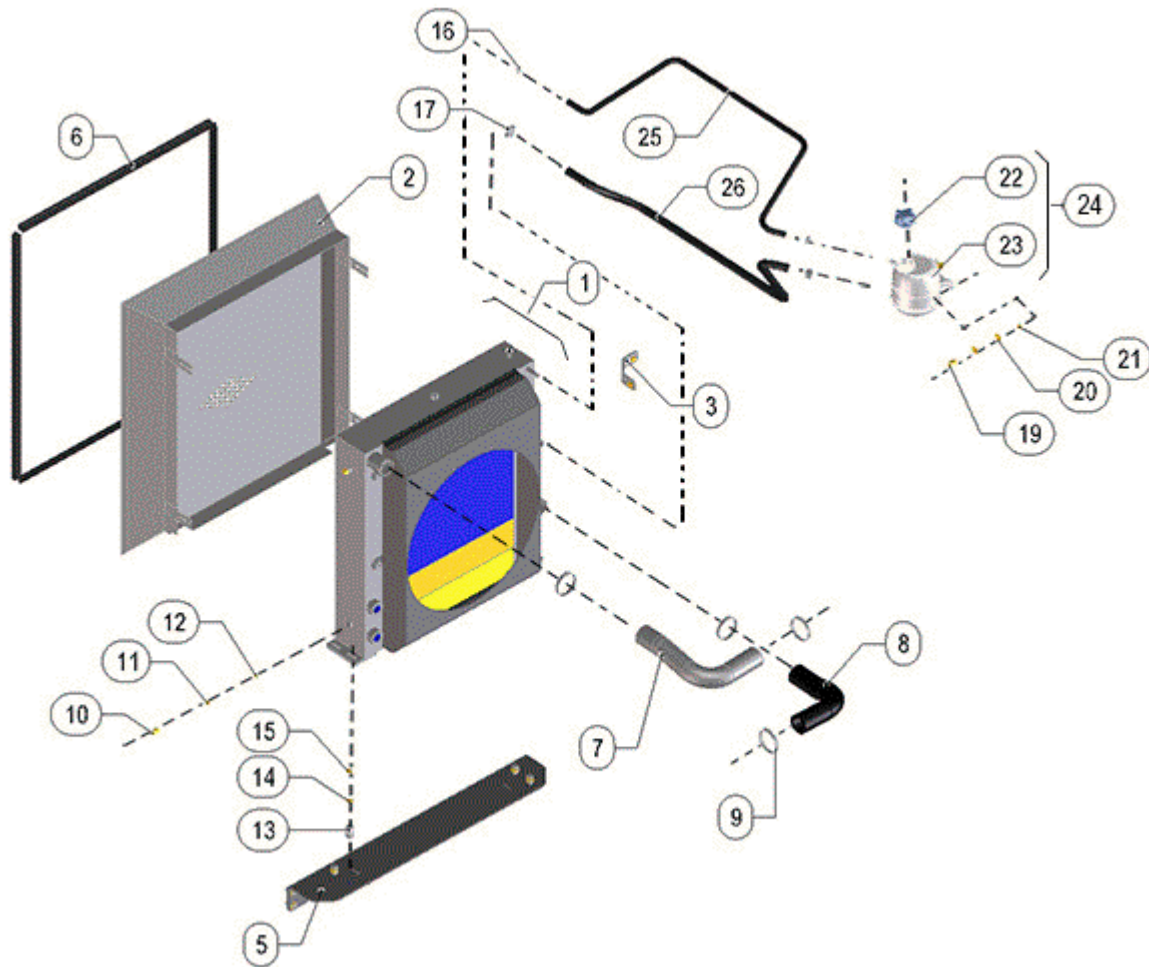


FIGURE	REFERENCE	DENOMINATION	AMOUNT
001	63.02112.01	RADIATOR 662X600X149	1
002	63.02128.00	RADIATOR PROTECTOR 818X700X141	1
003	63.02130.00	SUPPORT 105X105X30	1
005	63.02129.00	FIXATION SUPPORT 85X133X840	1
006	472.00411.00	RUBBER PROFILE MAT.	1
007	63.02115.00	RUBBER HOSE B/P 45x55x370	1
008	63.02124.00	RUBBER HOSE B/P 45x55x360	1
009	912.40060.66	CLAMP D40-60	4
010	603.06015.86	SCREW DIN933 M6x15	5
011	104.06000.00	WASHER DIN7980 D6	10
013	603.08030.86	SCREW DIN933 M8X30	4
014	101.08000.66	WASHER DIN125 D8	8
015	711.08000.86	NUT	4
016	912.08016.66	CLAMP DIN3017	2
017	912.20032.00	CLAMP	2
019	603.06020.86	SCREW DIN933 M6x20	2

020	112.06000.66	WASHER DIN9021 D6	4
021	711.06000.66	NUT DIN982 M6	2
022	09.00172.00	CAP	1
023	09.00171.01	EXPANSION TANK WITHOUT CAP	1
024	46.00171.00	EXPANSION TANK WITH CAP	1
025	469.25015.00	TUBE MAT. B/P 10x15	1
026	464.03024.00	TUBE	1

**COMMENTS**

---

CAMBIO PROVEEDOR RADIADOR



## KUBOTA ENGINE FLUID RESERVOIR FREIN

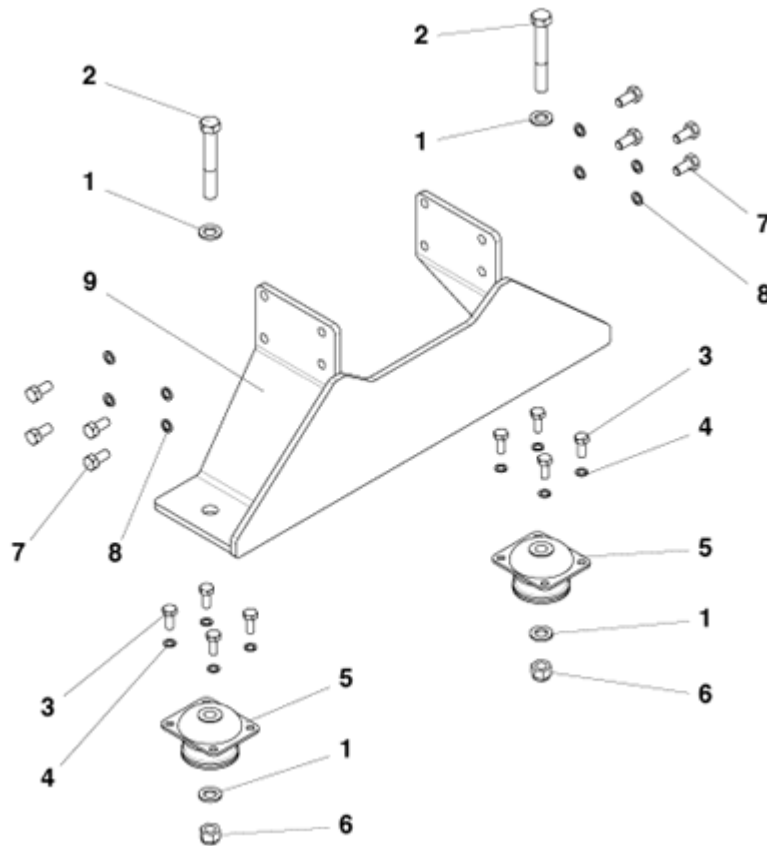


FIGURE	REFERENCE	DENOMINATION	AMOUNT
001	101.16000.66	WASHER DIN125 D16	4
002	604.16110.86	SCREW DIN931 M16x110	2
003	603.10025.86	SCREW DIN933 M10x25	8
004	104.10000.00	WASHER DIN7980 D10	8
005	64.02123.00	SHOCK ABSORBER, 66x92x103	2
006	711.16000.66	NUT DIN982 M16 8.8 K	2
007	617.12025.86	SCREW DIN933	8
008	104.12000.00	WASHER DIN7980 D12	8
009	64.02122.00	ENGINE SUPPORT	1

## KUBOTA ENGINE FLUID RESERVOIR FREIN

CHASSIS: 52189

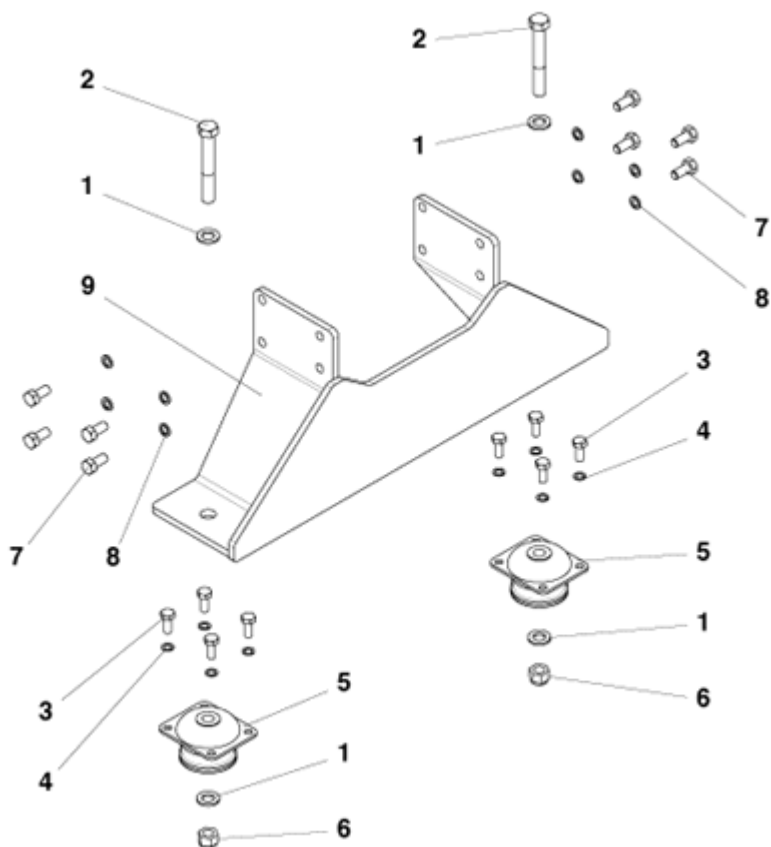


FIGURE	REFERENCE	DENOMINATION	AMOUNT
001	101.16000.66	WASHER DIN125 D16	4
002	604.16110.86	SCREW DIN931 M16x110	2
003	603.10025.86	SCREW DIN933 M10x25	8
004	104.10000.00	WASHER DIN7980 D10	8
005	64.02123.01	SHOCK ABSORBER	2
006	711.16000.66	NUT DIN982 M16 8.8 K	2
007	617.12025.86	SCREW DIN933	8
008	104.12000.00	WASHER DIN7980 D12	8
009	64.02122.00	ENGINE SUPPORT	1

## KUBOTA ENGINE

### DIESEL PARTICULATE FILTER MUFFLER (PART 1)

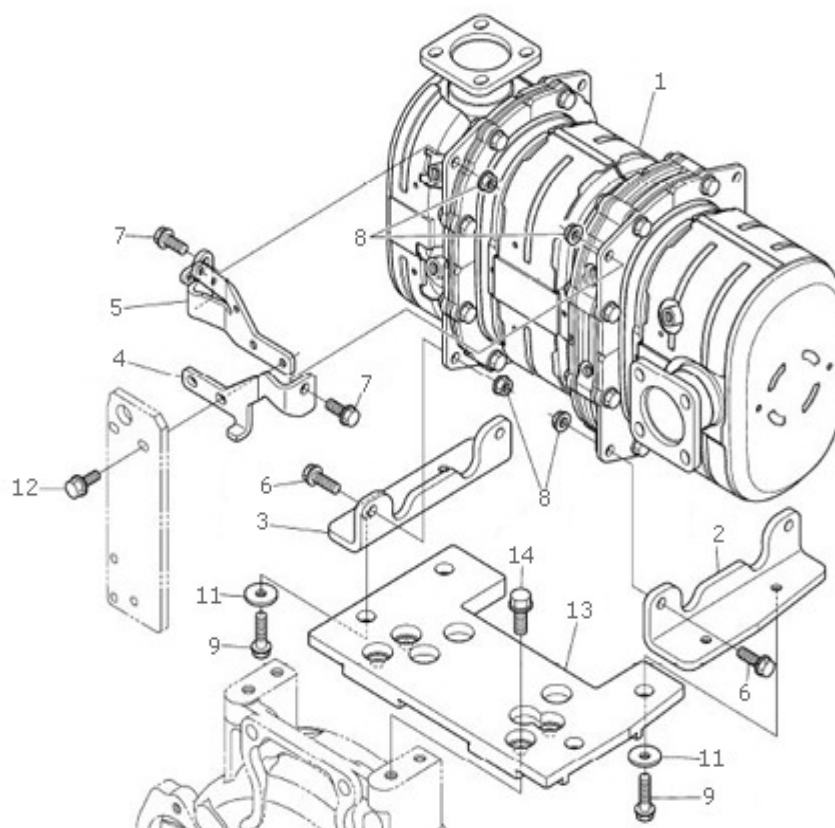


FIGURE	REFERENCE	DENOMINATION	AMOUNT
001	KU1J50018912	DIESEL PARTICULATE FILTER MUFFLER	1
002	KU1J50018700	BRACKET, DPF	1
003	KU1E39618710	BRACKET, DPF	1
004	KU1J50018720	STAY, DPF	1
005	KU1J50018730	STAY, DPF	1
006	KU0177451025	BOLT, FLANGE	4
007	KU0177451025	BOLT, FLANGE	2
008	KU0277150100	NUT, FLANGE	4
009	KU0177451025	BOLT, FLANGE	4
011	KU0401550100	WHASHER, PLAIN	4
012	KU0175450825	BOLT, FLANGE	2
013	KU1E45418740	BRACKET, DPF BASE	1
014	KU0177451230	BOLT, FLANGE	4

## KUBOTA ENGINE

### DIESEL PARTICULATE FILTER MUFFLER (PART 2)

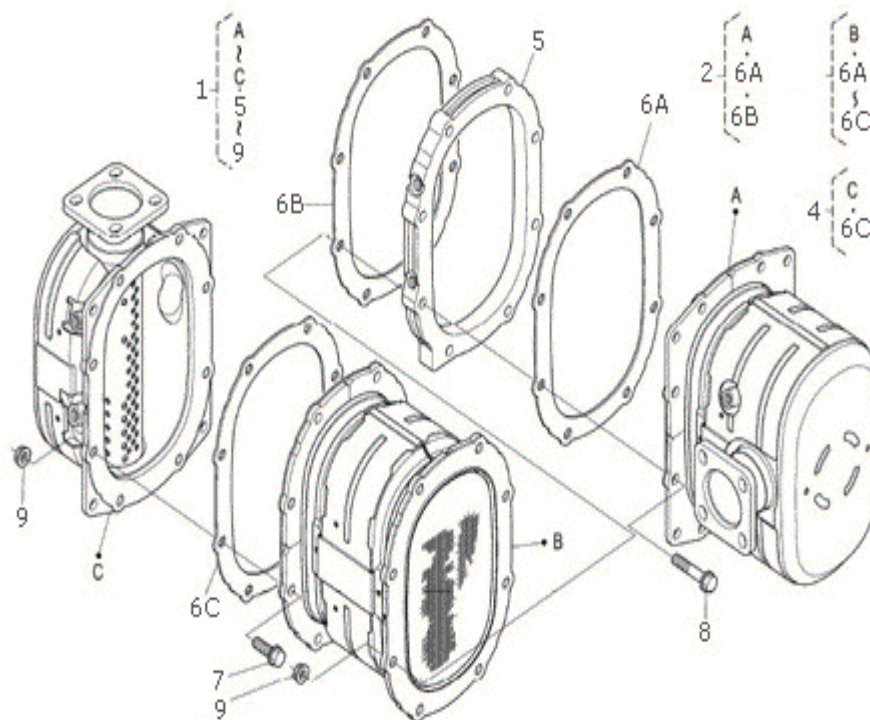


FIGURE	REFERENCE	DENOMINATION	AMOUNT
001	N/A	N/A	1
002	KU1J50018940	KIT CATALYST	1
003	KU1J50018932	FILTER KIT (DPF)(006A)	1
003	KU1J50018912	FILTER KIT (DPF,EX) (006A-006C)	1
004	KU1J50018950	KIT BODY (OUTLET, DPF)(67)	1
005	KU1J50018400	COLLAR (DPF)	1
006A	KU1J50018412	GASKET (DPF)	1
006B	KU1J50018412	GASKET (DPF)	1
006C	KU1J50018412	GASKET (DPF)	1
007	KU0177451030	BOLT, FLANGE	8
008	KU0177451050	BOLT, FLANGE	8
009	KU1J52018420	NUT, FLANGE	16

## KUBOTA ENGINE

### DIESEL PARTICULATE FILTER MUFFLER (PART 3)

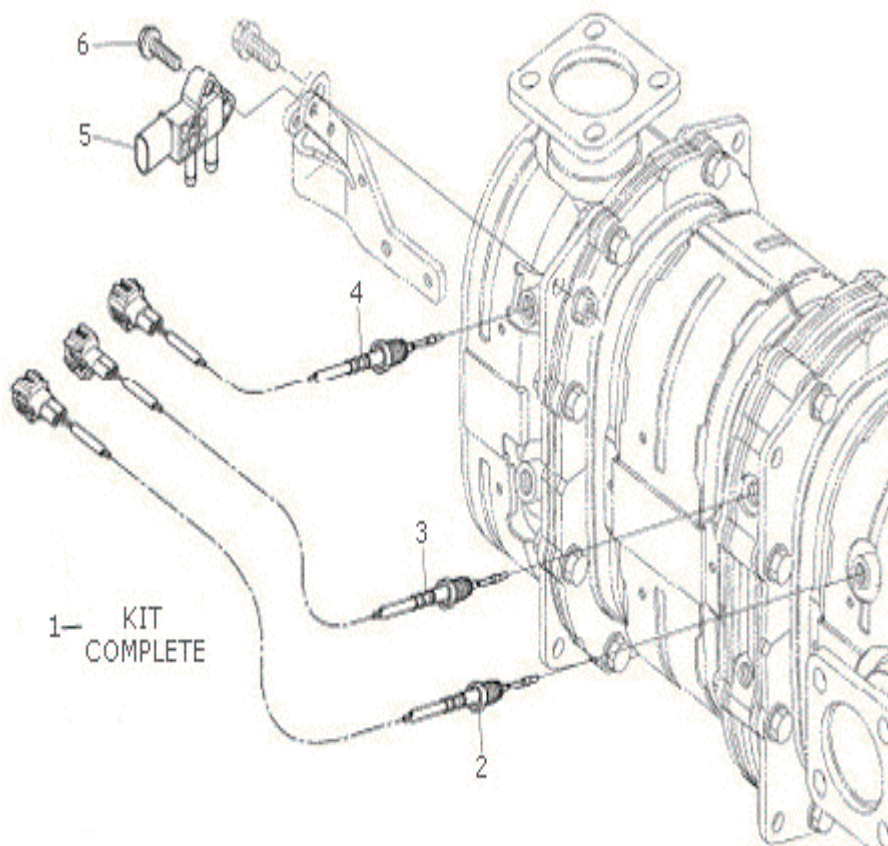


FIGURE	REFERENCE	DENOMINATION	AMOUNT
001	KU574300	MUFFLER SENSOR COMPLETE	1
002	KU1J50018500	SENSOR(THERMO 0)	1
003	KU1J50018510	SENSOR(THERMO 1)	1
004	KU1J50018522	SENSOR(THERMO 2)	1
005	KU1J52018600	SENSOR (PRESSURE)	1
006	KU0175450625	BOLT, FLANGE	2

## KUBOTA ENGINE DIESEL PARTICULATE FILTER MUFFLER (PART 4)

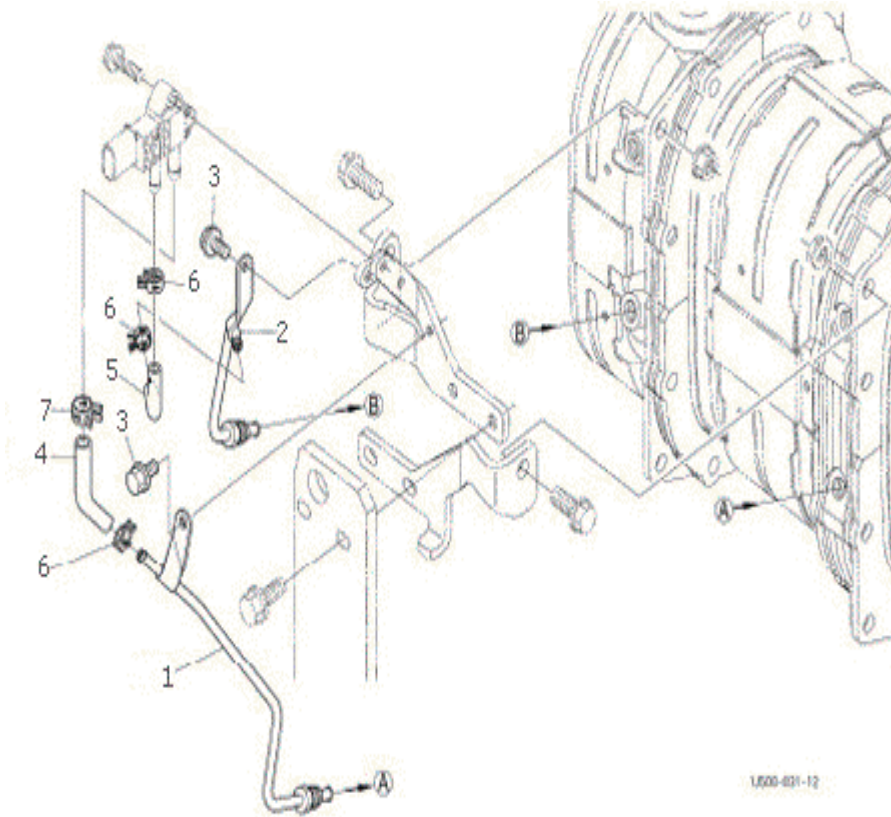


FIGURE	REFERENCE	DENOMINATION	AMOUNT
001	KU1J50018620	PIPE COMP. PRESSURE	1
002	KU1J50018630	PIPE COMP. PRESSURE	1
003	KU0175450612	BOLT, FLANGE	2
004	KU1J50018642	TUBE (PRESURE,1)	1
005	KU1J50018652	TUBE (PRESURE,2)	1
006	KU0931888095	CLAMP, HOSE	3
007	KU0931888115	CLAMP, HOSE	1

### 03. TRANSMISSION COMPLETE REDUCER BOX

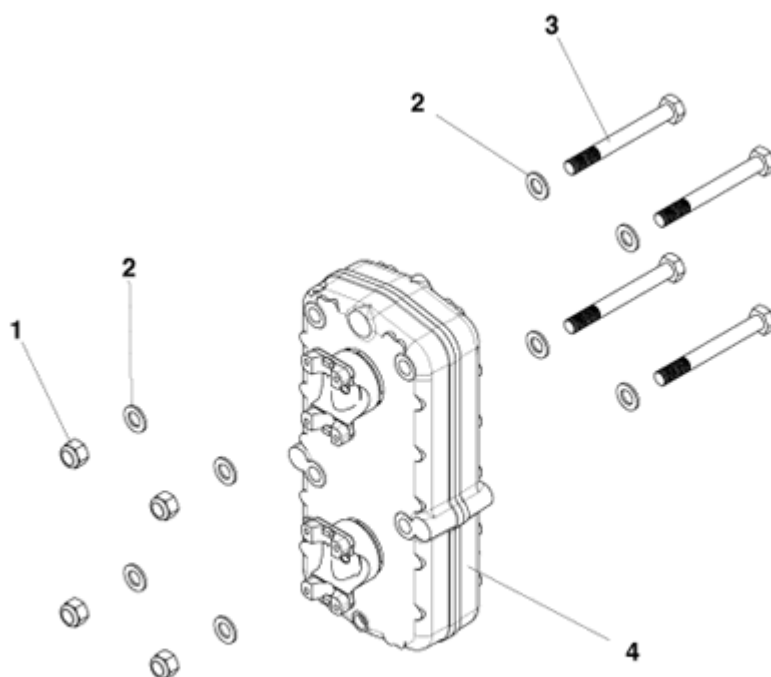


FIGURE	REFERENCE	DENOMINATION	AMOUNT
001	711.20000.66	NUT	4
002	101.20000.66	WASHER DIN125	8
003	604.20180.86	SCREW DIN931	4
004	63.03110.00	REDUCTOR BOX	1

### 03. TRANSMISSION

#### COMPLETE REDUCER BOX

CHASSIS: 61801

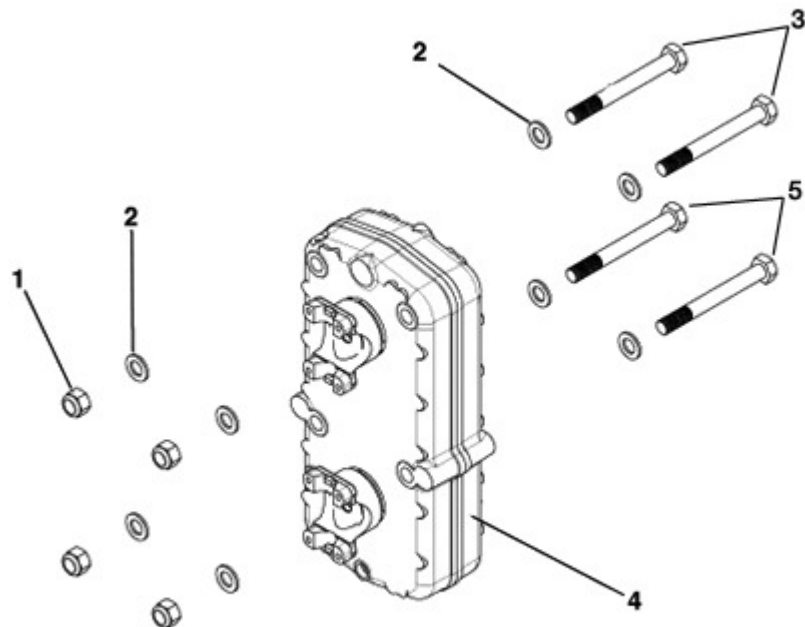


FIGURE	REFERENCE	DENOMINATION	AMOUNT
001	711.20000.66	NUT	4
002	101.20000.66	WASHER DIN125	8
003	604.20180.86	SCREW DIN931	2
004	63.03110.00	REDUCTOR BOX	1
005	604.20210.86	TORNILLO DIN931 M20x210	2



### 03. TRANSMISSION

#### COMPLETE REDUCER BOX

CHASSIS: 63011

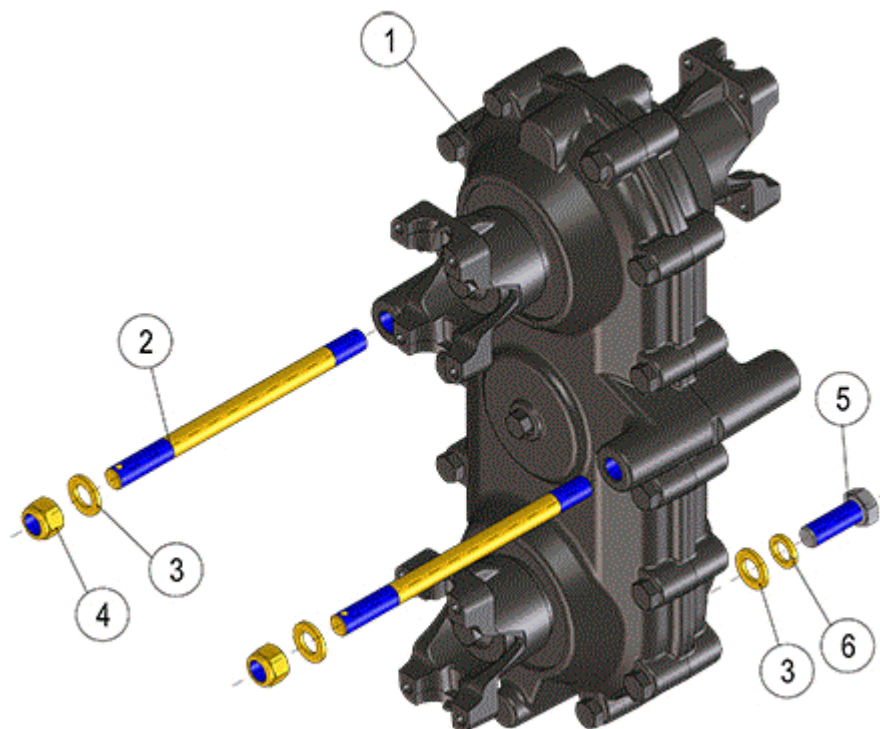


FIGURE	REFERENCE	DENOMINATION	AMOUNT
001	64.03124.00	REDUCTOR BOX DANA & SPICER	1
002	63.03113.00		2
003	101.16000.66	WASHER DIN125 D16	3
004	711.16000.66	NUT DIN982 M16 8.8 K	2
005	620.16045.86		1
006	104.16000.00	CIR-CLIP EXT. DIN7980	1

### 03. TRANSMISSION GEARBOX (INTERNAL)

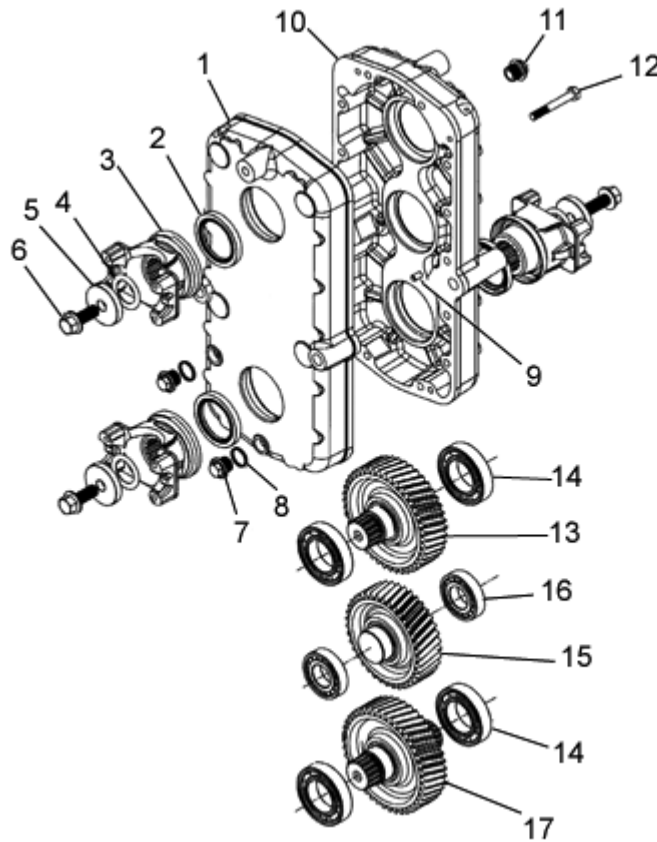


FIGURE	REFERENCE	DENOMINATION	AMOUNT
001	NET2501S	GEARCASE FRONT HALF	1
002	NE0400582	SEAL	3
003	NET2515	YOKE ASSEMBLY	3
004	NE04303853	O RING	3
005	NET2516	WASHER	3
006	NE01212040	DURLOK M16X40	3
007	NECP1189	DRAIN & LEVEL PLUG	2
008	NE0201714	BONDED SEAL	2
009	NE0210815	DOWEL	2
010	NET2502S	GEARCASE REAR HALF	1
011	NE0080080	BREATHER	1
012	NE0041018	LONG BOLT M10X75	14
013	NET2503	INPUT GEAR	1
014	NEMF/351731/4MI	BALL BEARING	4
015	NET2504S-G	IDLER GEAR	1
016	NE0533541	ROLLER BEARING	2
017	NET2505	OUTPUT GEAR	1

### 03. TRANSMISSION

#### GEARBOX (INTERNAL)

CHASSIS: 63011

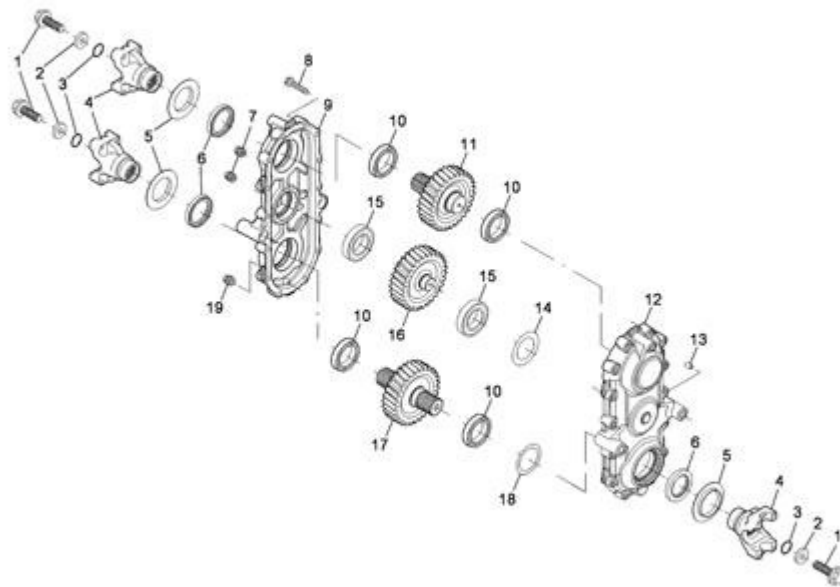


FIGURE	REFERENCE	DENOMINATION	AMOUNT
001	DA016284190	BOLT	3
002	DA3361400701	WASHER	3
003	DA001050591	O-RING	3
004	DA3361400601	FLANGE	3
005	DA2760100501	COVERPLATE	3
006	DA001034048	SEAL	3
007	DA8080101701	PLUG	2
008	DA016030996	BOLT	14
009	DA3361400101	HOUSING	1
010	DA005010121	BALL BEARING	4
011	DA3361400501	GEAR	1
012	DA3361400201	COVER	1
013	DA2772500201	REDUCTION BUSHING	2
014	DA013013288	SHIM	1
014	DA013013289	SHIM	1
014	DA013013290	SHIM	1
015	DA005060709	ROLLER BEARING	2
016	DA3361400401	GEAR	1

### 03. TRANSMISSION

#### GEARBOX (INTERNAL)

CHASSIS: 63011

FIGURE	REFERENCE	DENOMINATION	AMOUNT
017	DA3361400301	GEAR	1
018	DA013010316	SHIM	2
018	DA013010317	SHIM	2
019	DA8190161001	MAGNET PLUG	1

### 03. TRANSMISSION

#### TRANSMISSION

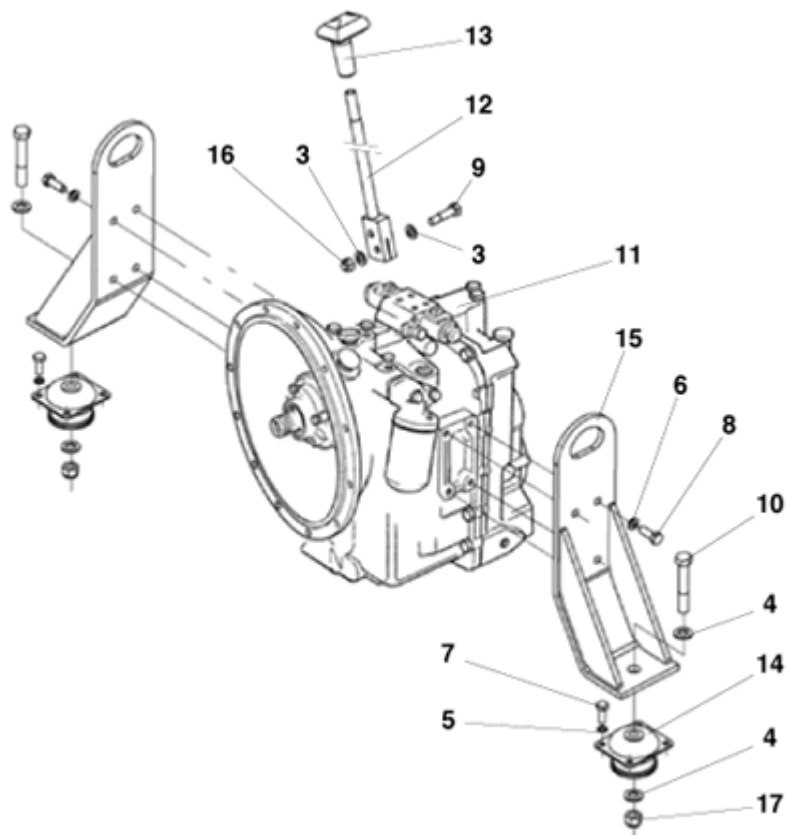


FIGURE	REFERENCE	DENOMINATION	AMOUNT
001	63.03122.00	TRANS. POWER SHUTTLE	1
002	629.10012.90	BOLT DIN933 3/8 12	6
003	101.12000.66	WASHER DIN125 D12	2
004	101.16000.66	WASHER DIN125 D16	4
005	104.10000.00	WASHER DIN7980 D10	8
006	104.12000.00	WASHER DIN7980 D12	8
007	603.10025.86	SCREW DIN933 M10x25	8
008	603.12035.86	SCREW DIN933	8
009	604.12050.86	SCREW DIN931 M12x50	1
010	604.16110.86	SCREW DIN931 M16x110	2
011	64.03116.00	TRANSMISSION POWER SHUTTLE	1
012	63.03117.00	CONTROL LEVER	1
013	63.11110.00	HILT WITH CABLE 980mm	1
014	64.03120.00	SHOCK ABSORBER, 66x92x103	2
015	64.03121.00	FIXATION SUPPORT	2
016	711.12000.66	NUT DIN982 M12	1
017	711.16000.66	NUT DIN982 M16 8.8 K	2

## 03. TRANSMISSION

### TRANSMISSION

CHASSIS: 52189

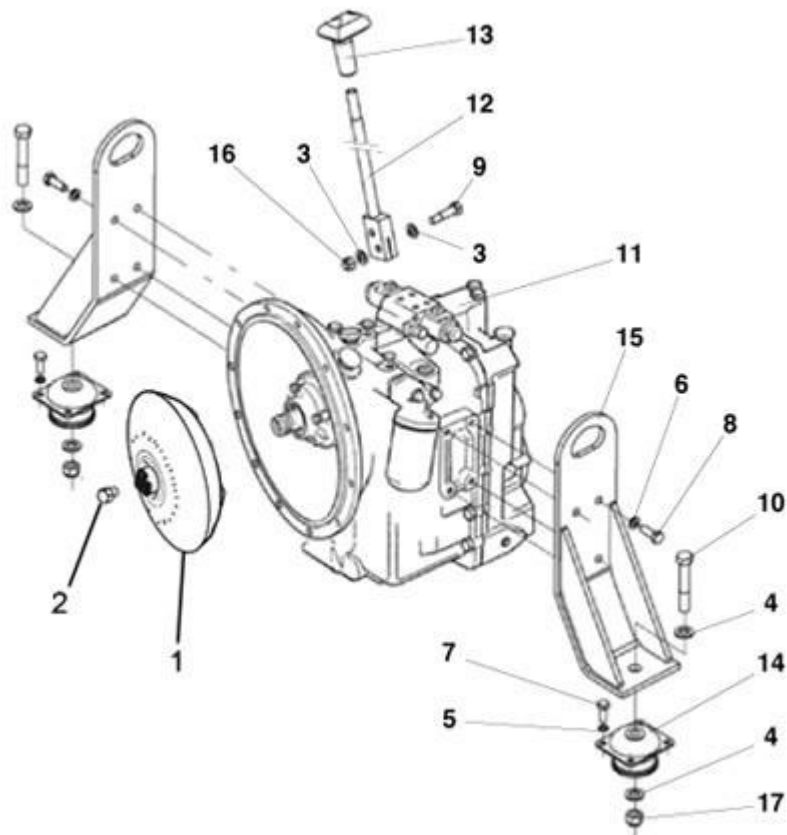


FIGURE	REFERENCE	DENOMINATION	AMOUNT
001	63.03122.00	TRANS. POWER SHUTTLE	1
002	629.10012.90	BOLT DIN933 3/8 12	6
003	101.12000.66	WASHER DIN125 D12	2
004	101.16000.66	WASHER DIN125 D16	4
005	104.10000.00	WASHER DIN7980 D10	8
006	104.12000.00	WASHER DIN7980 D12	8
007	603.10025.86	SCREW DIN933 M10x25	8
008	603.12035.86	SCREW DIN933	8
009	604.12050.86	SCREW DIN931 M12x50	1
010	604.16110.86	SCREW DIN931 M16x110	2
011	64.03116.00	TRANSMISSION POWER SHUTTLE	1
012	63.03117.00	CONTROL LEVER	1
013	63.11110.00	HILT WITH CABLE 980mm	1
014	64.03120.01	SHOCK ABSORBER	2
015	64.03121.00	FIXATION SUPPORT	2
016	711.12000.66	NUT DIN982 M12	1
017	711.16000.66	NUT DIN982 M16 8.8 K	2

### 03. TRANSMISSION GEARBOX INT. (PART 1)

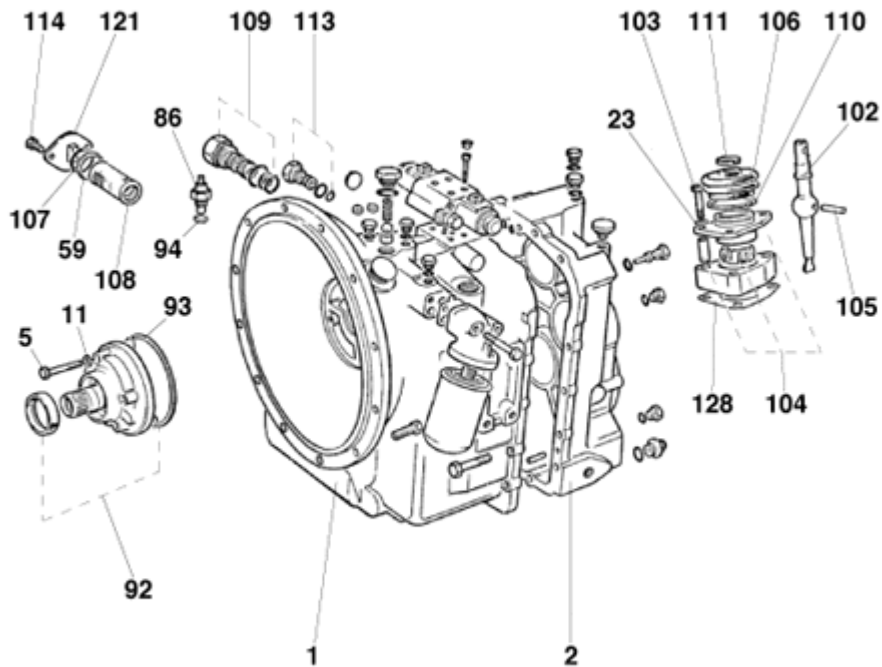


FIGURE	REFERENCE	DENOMINATION	AMOUNT
001	TR70774	SUB-ASSY GEAR CASE & SEATING	0
002	TR70005	CASE REAR 2WD	0
005	TR400855109	BOLT	0
011	TR9P9150	WASHER-RUBBER COATED	0
023	TR4358Z	WASHER-PLAIN	0
059	TR69368	SUPPORT WASHER	0
092	TR69127	PUMP ASSEMBLY	0
093	TR66791	PUMP SEALING RING	0
094	TR66263	O RING	0
102	TR69462	GEAR SHIFT LEVER	0
103	TR400855109	BOLT	0
104	TR69420	GEAR LEVER SEATING	0
105	TR66993	PIN	0
106	TR66994	DUST COVER	1
107	TR69367	O RING	0
108	TR66695	SUCTION STRAINER	0
109	TR68617	PRESSURE REGULATOR VALVE	0
110	TR70513	PLASTIC CLIP	0

### 03. TRANSMISSION

#### GEARBOX INT. (PART 1)

FIGURE	REFERENCE	DENOMINATION	AMOUNT
111	TR70512	PLASTIC CLIP	0
113	TR69136	CONVERTER RELIEF VALVE	0
114	TR4420816109	TORNILLO	0
121	TR68534	STRAINER COVER PLATE	0



### 03. TRANSMISSION

#### INTERNAL TRANSMISSION (2)

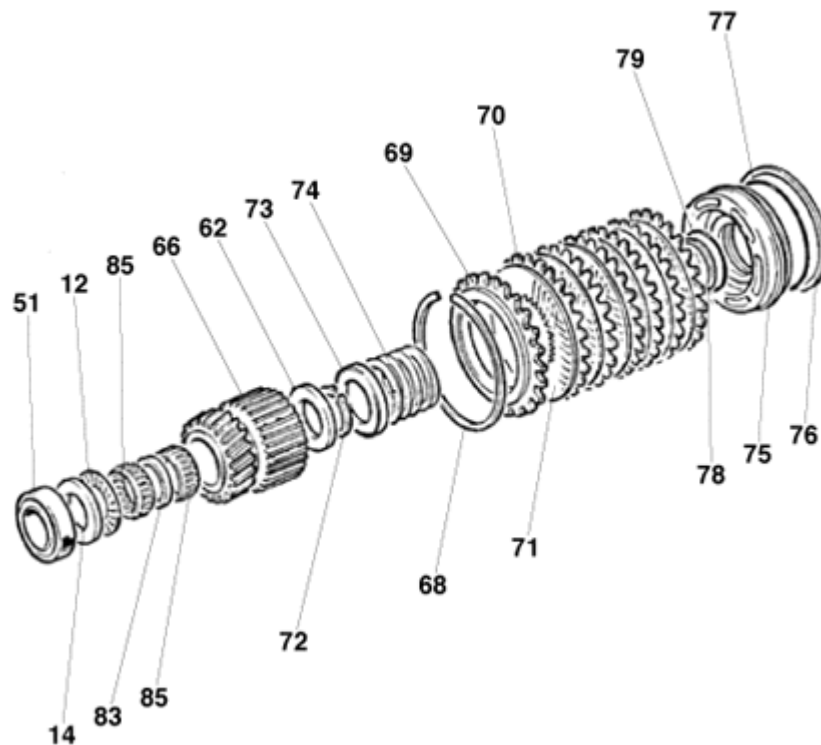


FIGURE	REFERENCE	DENOMINATION	AMOUNT
012	TR68020	THRUST BEARING-40 MM.	0
014	TR68060	SUPPORT WASHER 35X60	0
051	TR9713	BEARING	0
062	TR68773	THRUST WASHER	0
066	TR69411	FORWARD PRIMARY GEAR	0
068	TR68628	CLUTCH PACK RETAINING CLIP	0
069	TR68634	CLUTCH PACK RETAINING PLATE	0
070	TR68633	CLUTCH PLATE	0
071	TR68632	CLUTCH PLATE (FRICTION)	0
072	TR68621	CIRCLIP	0
073	TR68622	SPRING RETAINER	0
074	TR68626	PISTON RETURN SPRING	0
075	TR70898	PISTON	0
079	TR70610	O RING	0
083	TR69115	NEEDLE BEARING SPACER	0
085	TR66126	NEEDLE BEARING	0

### 03. TRANSMISSION GEARBOX INT. (PART 3)

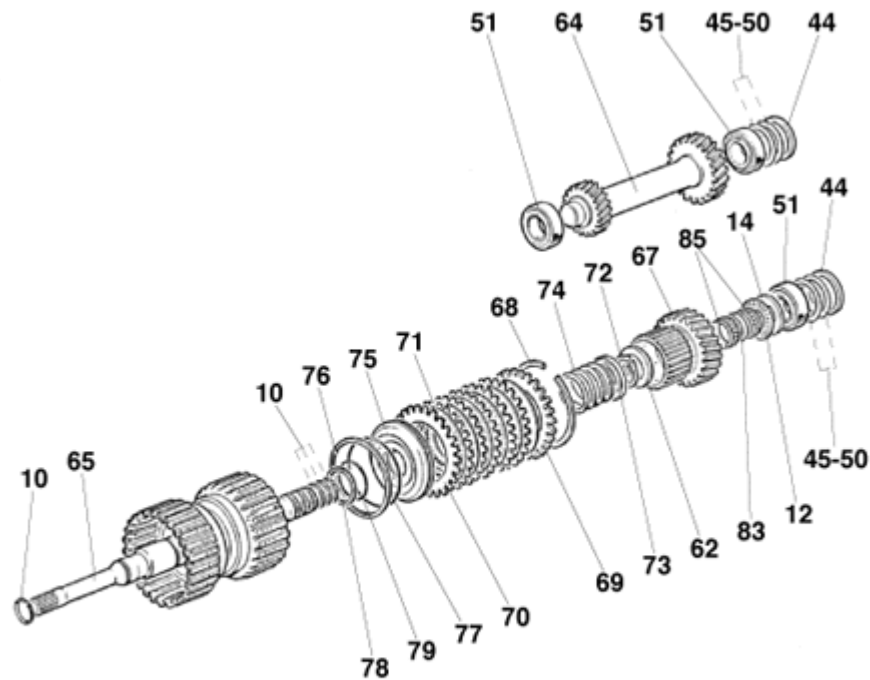


FIGURE	REFERENCE	DENOMINATION	AMOUNT
010	TR67657	SEALING RING (RIN 20010)	0
012	TR68020	THRUST BEARING-40 MM.	0
014	TR68060	SUPPORT WASHER 35X60	0
044	TR66212	BEARING SPACER	0
050	TR61862	SHIM-CSHAFT REAR BRG	0
051	TR9713	BEARING	0
062	TR68773	THRUST WASHER	0
064	TR69199	REVERSE IDLER GEAR	0
065	TR70614	INPUT SHAFT ASSEMBLY	0
067	TR69410	REVERSE PRIMARY GEAR	0
068	TR68628	CLUTCH PACK RETAINING CLIP	0
069	TR68634	CLUTCH PACK RETAINING PLATE	0
070	TR68633	CLUTCH PLATE	0
071	TR68632	CLUTCH PLATE (FRICTION)	0
072	TR68621	CIRCLIP	0
073	TR68622	SPRING RETAINER	0
074	TR68626	PISTON RETURN SPRING	0
075	TR70898	PISTON	0

### 03. TRANSMISSION

#### GEARBOX INT. (PART 3)

FIGURE	REFERENCE	DENOMINATION	AMOUNT
079	TR70610	O RING	0
083	TR69115	NEEDLE BEARING SPACER	0
085	TR66126	NEEDLE BEARING	0

### 03. TRANSMISSION

#### INTERNAL TRANSMISSION (4)

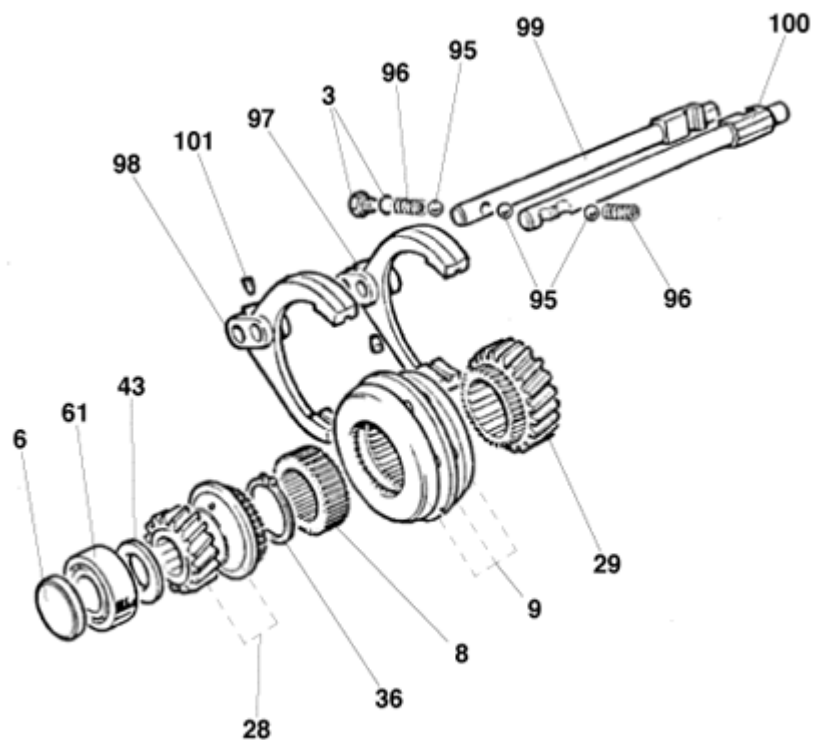


FIGURE	REFERENCE	DENOMINATION	AMOUNT
003	TR69271	PLUG ASSY	0
006	TR69286	SEALING CAP	0
008	TR60122	SLEEVE-REV SHIFT HUB	0
009	TR66671	SYNCHRO ASSY & CUPS-1ST/2ND	0
028	TR69198	4TH GEAR OUTPUT SHAFT	0
029	TR68589	3RD GEAR OUTPUT SHAFT	0
036	TR67571	CIRCLIP	0
043	TR68615	4TH GEAR THRUST WASHER	0
061	TR68116	BEARING	0
095	TR231G	DETENT BALL	0
096	TR201045	DETENT SPRING	0
097	TR68579	1ST & 2ND SHIFT FORK	0
098	TR68580	3RD & 4TH SHIFT FORK	0
099	TR69464	1ST & 2ND SHIFT ROD	0
100	TR69465	3RD & 4TH SHIFT ROD	0
101	TR67592	SHIFT FORK SCREW	0

### 03. TRANSMISSION

#### INTERNAL TRANSMISSION (5)

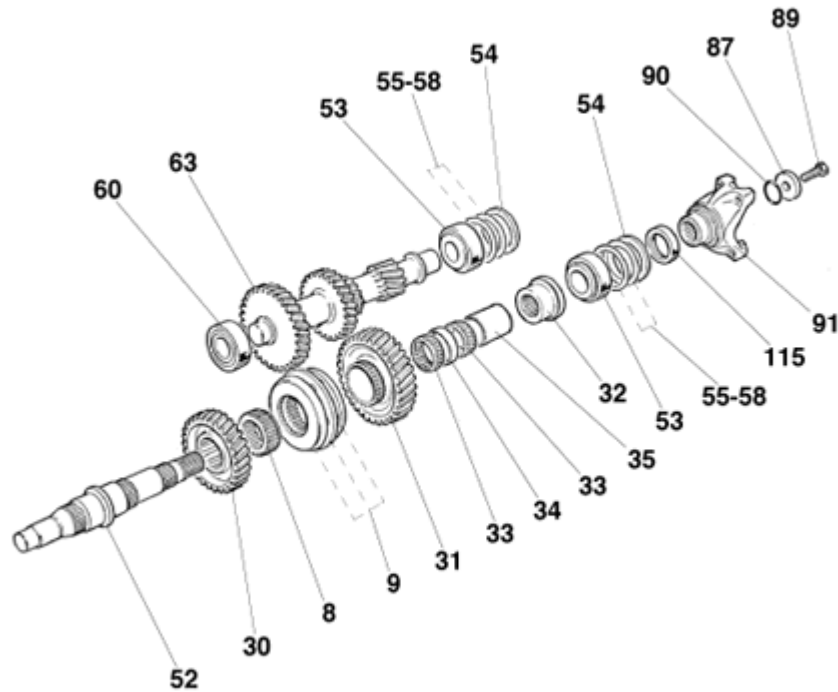


FIGURE	REFERENCE	DENOMINATION	AMOUNT
008	TR60122	SLEEVE-REV SHIFT HUB	0
009	TR66671	SYNCHRO ASSY & CUPS-1ST/2ND	0
030	TR68588	2ND GEAR OUTPUT SHAFT	0
031	TR66106	1ST GEAR OUTPUT SHAFT	0
032	TR66160	SPACER	0
033	TR64528	BEARING	0
034	TR66161	1ST GEAR BEARING SPACER	0
035	TR66146	1ST GEAR BEARING SLEEVE	0
052	TR68587	OUTPUT SHAFT	0
053	TR68608	BEARING	0
054	TR66213	BEARING SPACER	0
055	TR66214	SHIM	0
058	TR66217	SHIM	0
060	TR65381	BEARING	0
063	TR69197	COUNTERSHAFT	0
087	TR67478	OUTPUT YOKE WASHER	0
089	TR4421230109	SCREW	0
090	TR68429	O RING	0

### 03. TRANSMISSION

#### INTERNAL TRANSMISSION (5)

FIGURE	REFERENCE	DENOMINATION	AMOUNT
091	tr69369	YOKE	1
115	TR2162267	OIL SEAL	0

### 03. TRANSMISSION

#### INTERNAL TRANSMISSION (6)

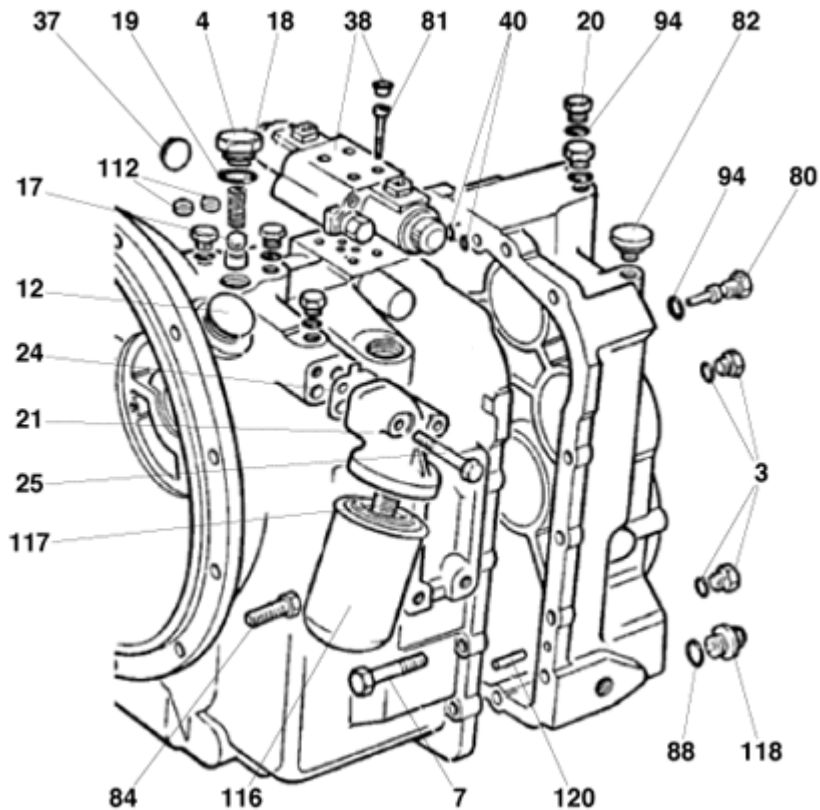


FIGURE	REFERENCE	DENOMINATION	AMOUNT
003	TR69271	PLUG ASSY	0
004	TR70293	PLUG & O-RING ASSY	0
007	TR4411040109	SCREW	0
012	TR68020	THRUST BEARING-40 MM.	0
017	TR231K	BALL (5/8)	0
018	TR69289	SPRING - COLD START RELIEF	0
019	TR69288	O-RING	0
020	TR4101050129	CAPSCREW - M10X50	0
021	TR66110	OIL FILTER SUPPORT	0
024	TR67785	FILTER HOUSING GASKET	0
025	TR4411070109	BOLT	0
037	TR365N	EXPANSION PLUG	0
038	TR70849	DIRECTIONAL VALVE	0
040	TR68988	O-RING	0
080	TR70247	BREATHER PLUG	0
081	TR410530129	CAPSCREW	0
082	TR62522	BREATHER-(369528)	0
088	TR281210	O RING	0

### 03. TRANSMISSION

#### INTERNAL TRANSMISSION (6)

FIGURE	REFERENCE	DENOMINATION	AMOUNT
094	TR66263	O RING	0
112	TR68672	PLUG	0
116	TR70272	OIL FILTER CARTRIDGE	0
117	TR66266	OIL FILTER ADAPTER	0
118	TR67765	DRAIN PLUG	0
120	TR9740	DOWEL	0



### 03. TRANSMISSION FRONT AXLE

**NEWAGE**

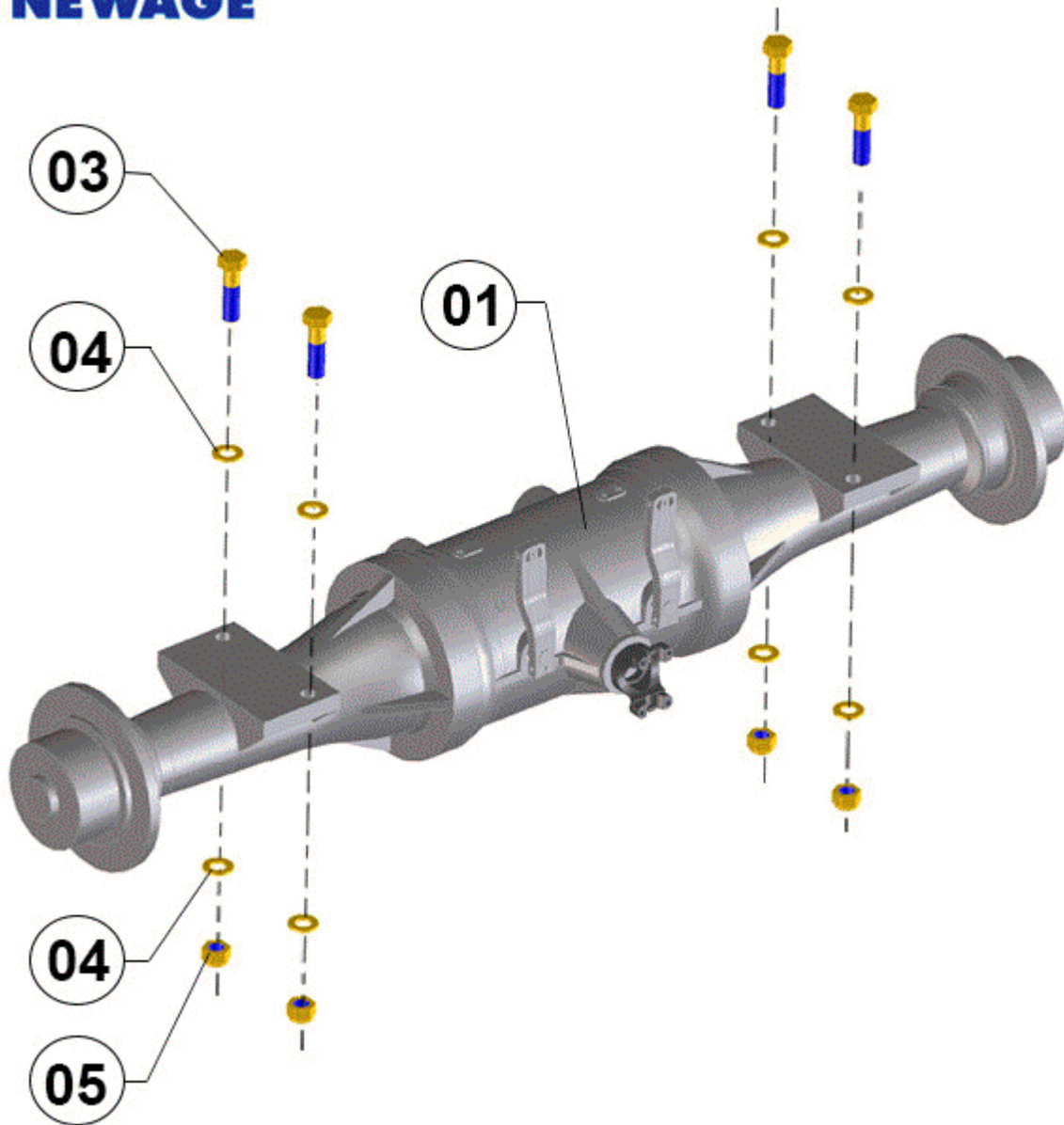


FIGURE	REFERENCE	DENOMINATION	AMOUNT
001	63.03111.00	FRONT FIX AXLE	1
003	604.27090.86	BOLT DIN931 M27x90	16
004	101.27000.66	WASHER DIN125	32
005	720.27000.86	NUT DIN985 M27	16

### 03. TRANSMISSION

#### FRONT AXLE

CHASSIS: 61801

## NEWAGE

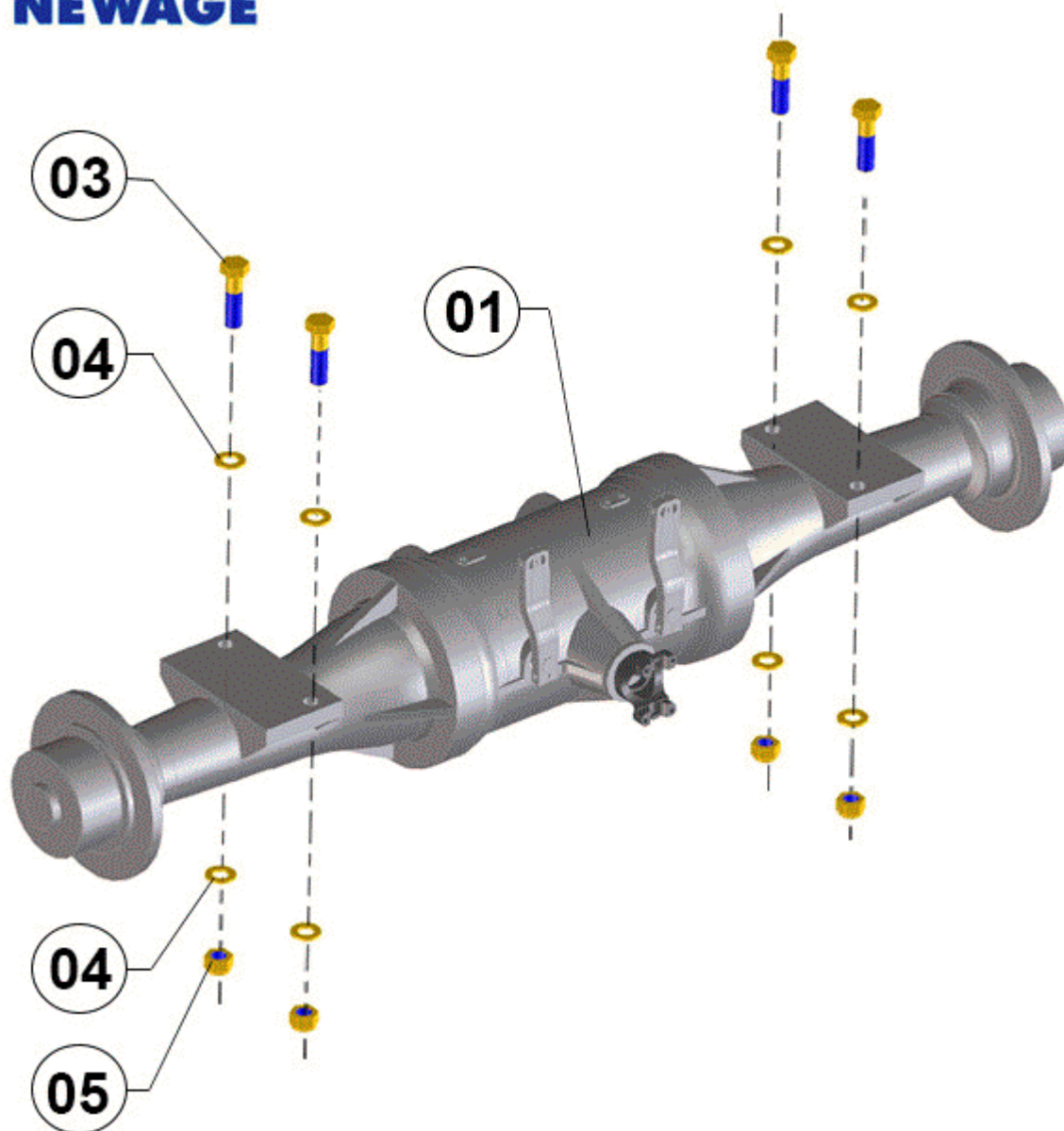


FIGURE	REFERENCE	DENOMINATION	AMOUNT
001	63.03111.00	FRONT FIX AXLE	1
003	604.27110.86	SCREW DIN931 M27X110	16
004	101.27000.66	WASHER DIN125	32
005	720.27000.86	NUT DIN985 M27	16

### 03. TRANSMISSION

#### FRONT AXLE

CHASSIS: 63011

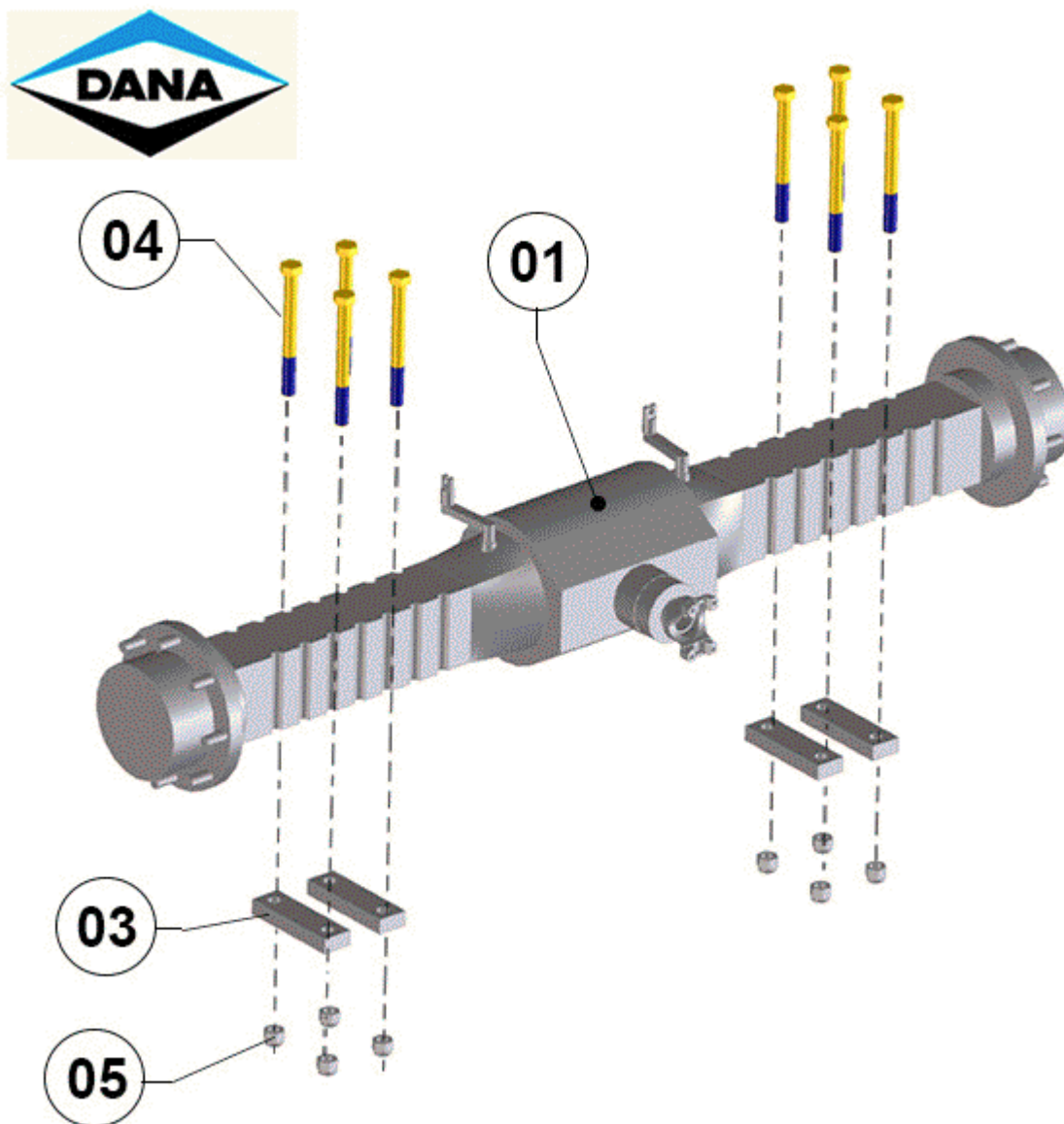


FIGURE	REFERENCE	DENOMINATION	AMOUNT
001	63.03213.00	FRONT FIX AXLE	1
003	64.04139.00	Deck 30X60X205	4
004	604.24250.86	SCREW DIN931 M24X250	8
005	711.24000.86	NUT DIN982 M24	8
006	101.24000.66	WASHER DIN125	16

### 03. TRANSMISSION FRONT AXLE (DIFFERENTIAL)

**NEWAGE**

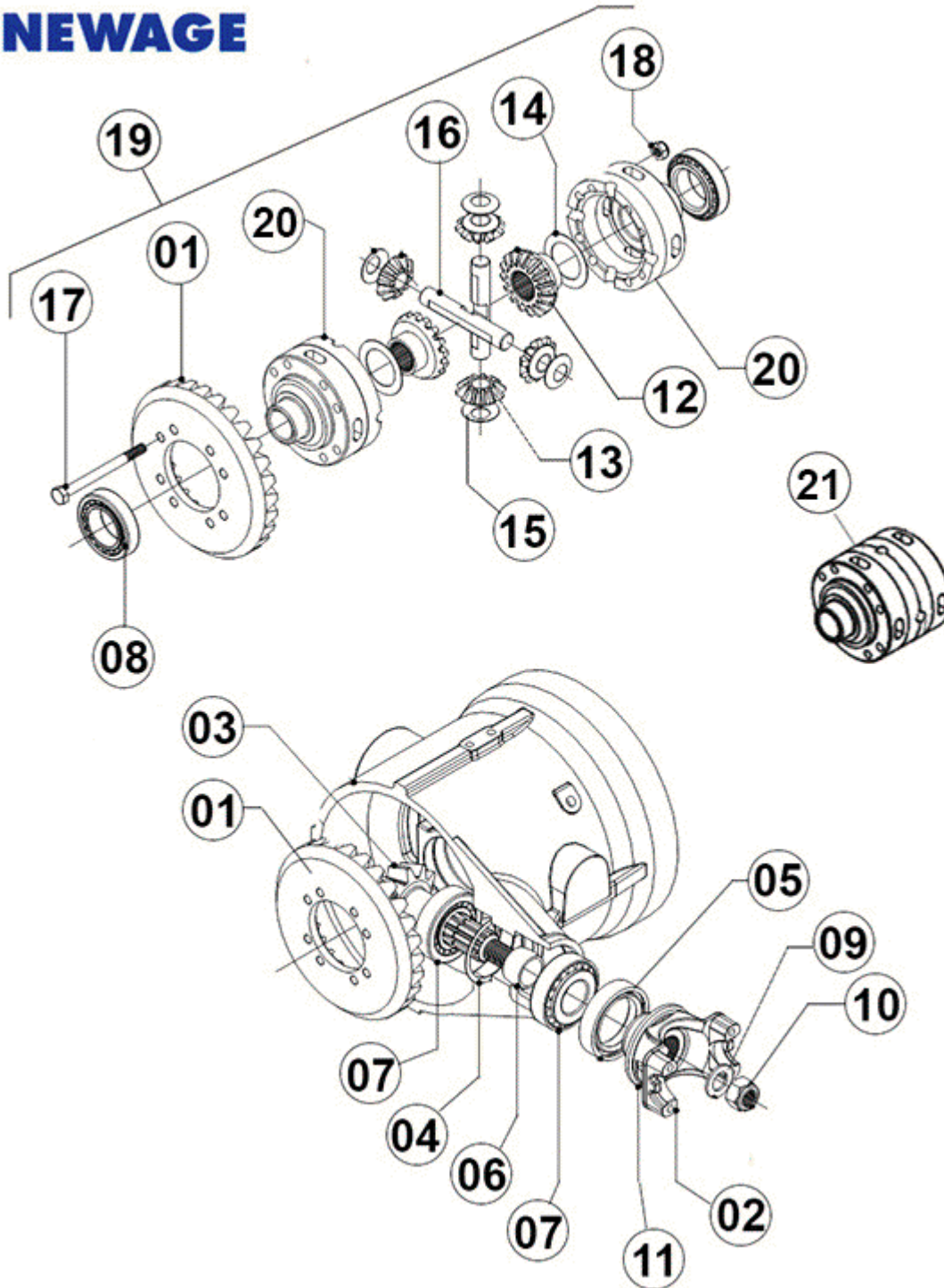
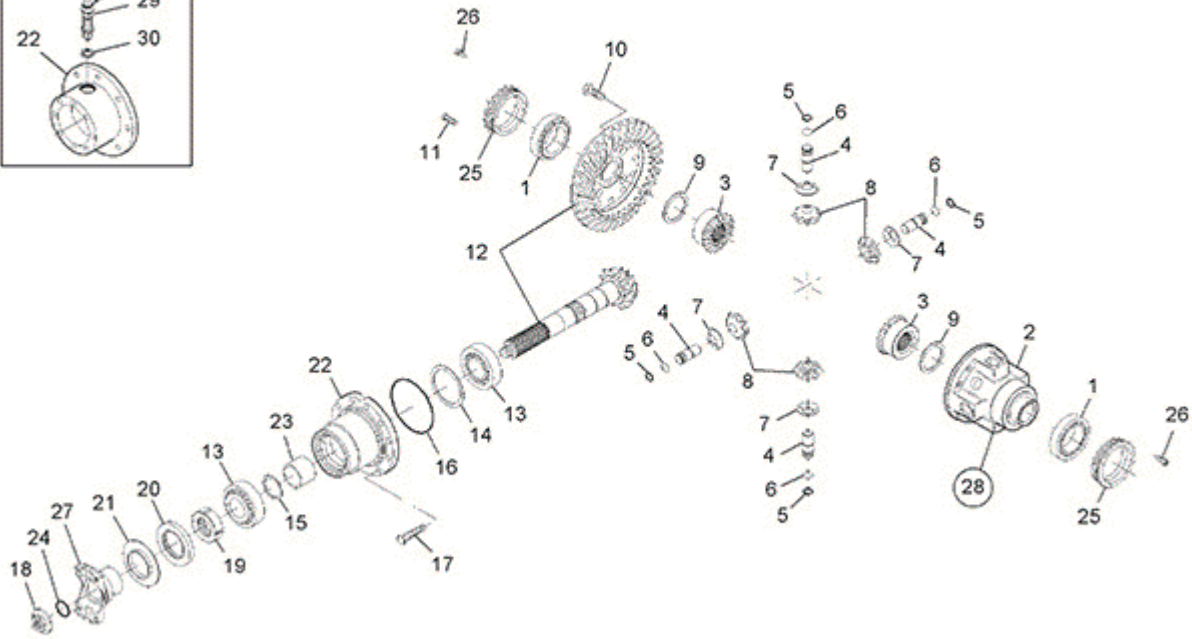
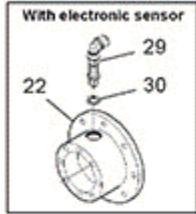


FIGURE	REFERENCE	DENOMINATION	AMOUNT
001	NE9169820	SPIRAL BEVEL PINION & SPIRAL BEVEL WHEEL	1
002	NE9152180	INPUT DRIVE FLANGE	1
003	NE9169820	SPIRAL BEVEL PINION & SPIRAL BEVEL WHEEL	1
004	NE057340A	SHIM 0.5 MM	1
004	NE057340B	SHIM 0.75 MM	1

004	NE057340C	SHIM 0.25 MM	1
005	NE0020070	OIL SEAL	2
006	NE4001050	COLLAPSIBLE SPACER	1
007	NE0010070	BEARING	2
009	NE9152190	PLAIN WASHER	1
010	NE4002200	NUT	1
011	NE9152180	INPUT DRIVE FLANGE	1
012	NE9152090	DIFFERENTIAL CROWN WHEEL	2
013	NE9152100	DIFFERENTIAL PINION	4
014	NE9152110	THRUST WASHER	2
016	NE9152130	DIFFERENTIAL SPIDER (HALF)	2
017	NE0041225HT	BOLT	8
018	NE0070360	NYLOC NUT	8
019	NE9159630	DIFFERENTIAL ASSY	1
020	NE9152070	DIFFERENTIAL CASE LH	1
020	NE9152080	DIFFERENTIAL CASE RH	1
021	NE9159520	DIFFERENTIAL CASES ASSY	1

### 03. TRANSMISSION FRONT AXLE (DIFFERENTIAL)

CHASSIS: 63011



28 = Position Kit = 2+3+4+5+6+7+8+9

FIGURE	REFERENCE	DENOMINATION	AMOUNT
001	DA005091039	TAPER ROLLER BEARING	2
002	DA1120400104	DIFFERENTIAL CARRIER	1
003	DA1120400501	DIFFERENTIAL SIDE GEAR	2
004	DA1120400603	PIN	4
005	DA002143244	CIRCLIP	4
006	DA002063163	CIRCLIP	4
007	DA1120400801	WASHER	4
008	DA1120400404	SATELLITE	4
009	DA1120400701	FRICTION WASHER	2
010	DA016283390	SCREW	12
011	DA016040417	BOLT	4
012	DA1120450063	CONE SET	1
013	DA005100162	BUSH	2
014	DA013011279	SHIM	1
014	DA013011281	SHIM	1
014	DA013013055	SHIM	1
014	DA013013066	SHIM	1
015	DA013013117	SHIM	1
015	DA013013118	SHIM	1

015	DA013013119	SHIM	1
015	DA013013120	SHIM	1
018	DA3571413901	NUT	1
019	DA9530401201	CLAMP	1
020	DA001030730	O-RING	1
023	DA1120400902	SPACER	1
024	DA001053158	O-RING	1
025	DA1120401602	CLAMP	2
026	DA016041214	CYLINDER SCREW	2
027	DA1120473101	FLANGE	1
028	DA1120470201	DIFFERENTIAL	1



### 03. TRANSMISSION FRONT AXLE - MAINCASE ASSY

**NEWAGE**

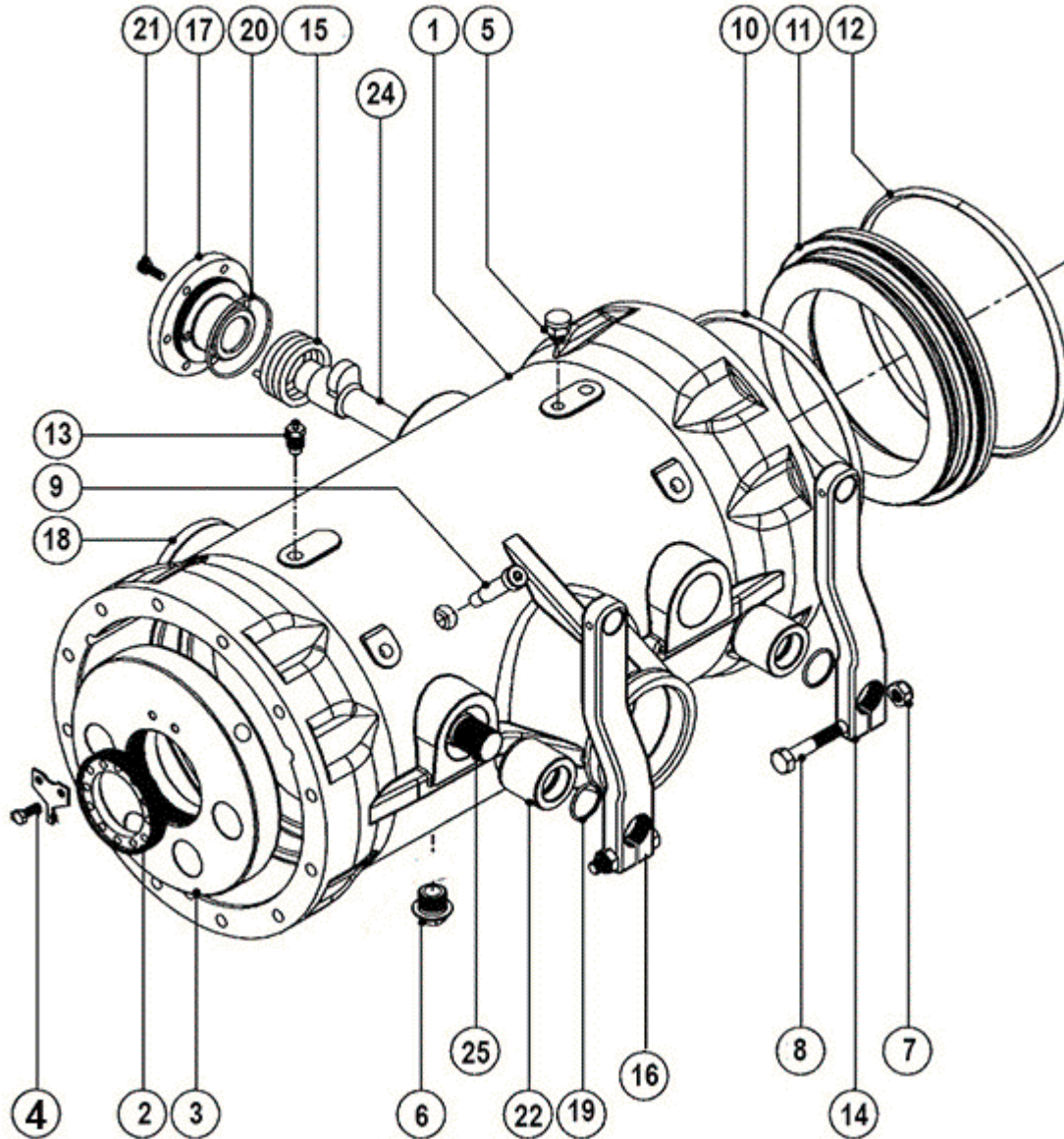


FIGURE	REFERENCE	DENOMINATION	AMOUNT
001	NE9150012	MAINCASE	1
002	NE9152150	BEARING ADJUSTER NUT	2
003	NE9150760	DIFFERENTIAL BEARING CARRIER	1
004	NE0040604P	LOCK SCREW	2
004	NE6162160	LOCK PLATE	1
005	NECP1469	BREATHER	1
006	NE0150250	DRAIN PLUG	2
008	NE0041011	BOLT	2
009	NECP1435	SHOULDER SCREW	4

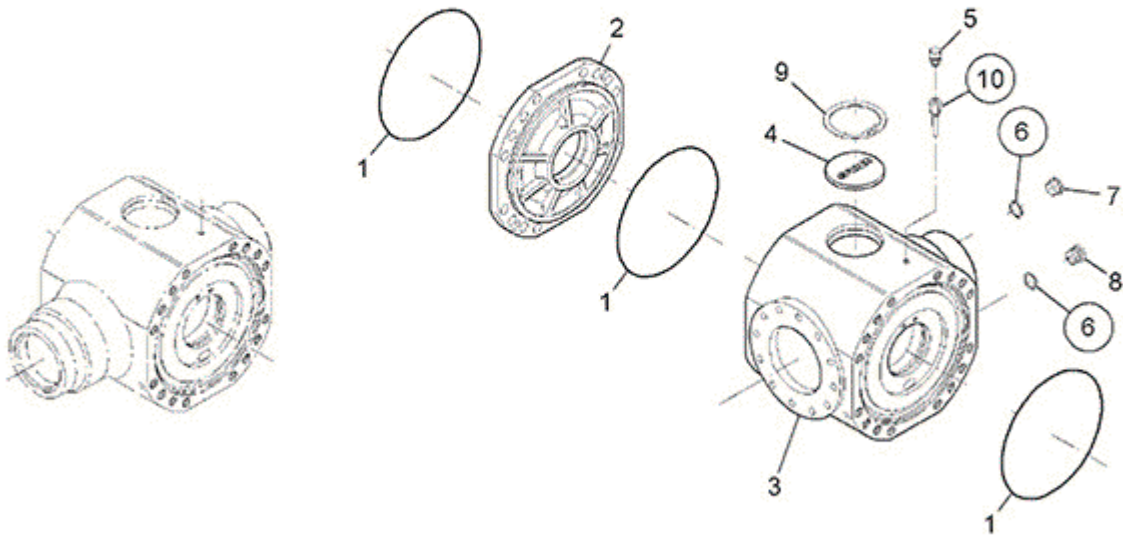
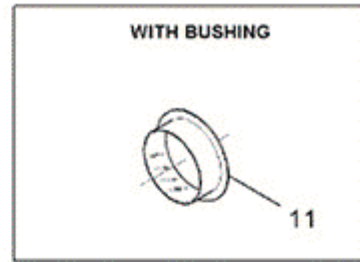


010	NE0432208	O-RING	2
011	NE9150780	BRAKE PISTON	2
012	NE0432408	O-RING	2
013	NE0080240	BLEED VALVE	1
014	NE6151020	HANDBRAJKE LEVER (RH & LH)	2
015	NE0110080L	BRAKE LEVER RETURN SPRING (LH)	1
015	NE0110080R	BRAKE LEVER RETURN SPRING (RH)	1
017	NE6151560	HANDBRAKE LEVER COVER RH	1
018	NE6151550	HANDBRAKE LEVER COVER LH	1
019	NE04302824	O-RING	2
020	NE0430582	O RING	2
021	NE0040607HTP	SCREW	12
022	NE9151620	BRAKE LEVER BUSH	2
025	NE9150821	BRAKE LEVER LH	1
025	NE9150811	BRAKE LEVER RH	1

### 03. TRANSMISSION

#### FRONT AXLE - MAINCASE ASSY

CHASSIS: 63011



6 10 OPTIONAL

FIGURE	REFERENCE	DENOMINATION	AMOUNT
001	DA001051178	O-RING	3
002	DA1120100703	INTERMEDIATE COVER	1
003	DA1120103701	CASE	1
004	DA1710101504	CAP	1
005	DA1120101801	VENT	1
007	DA1120161001	CAP	1
008	DA1120161003	MAGNET PLUG	1
009	DA002020088	CIRCLIP	1

### 03. TRANSMISSION FRONT AXLE - REDUCTION

**NEWAGE**

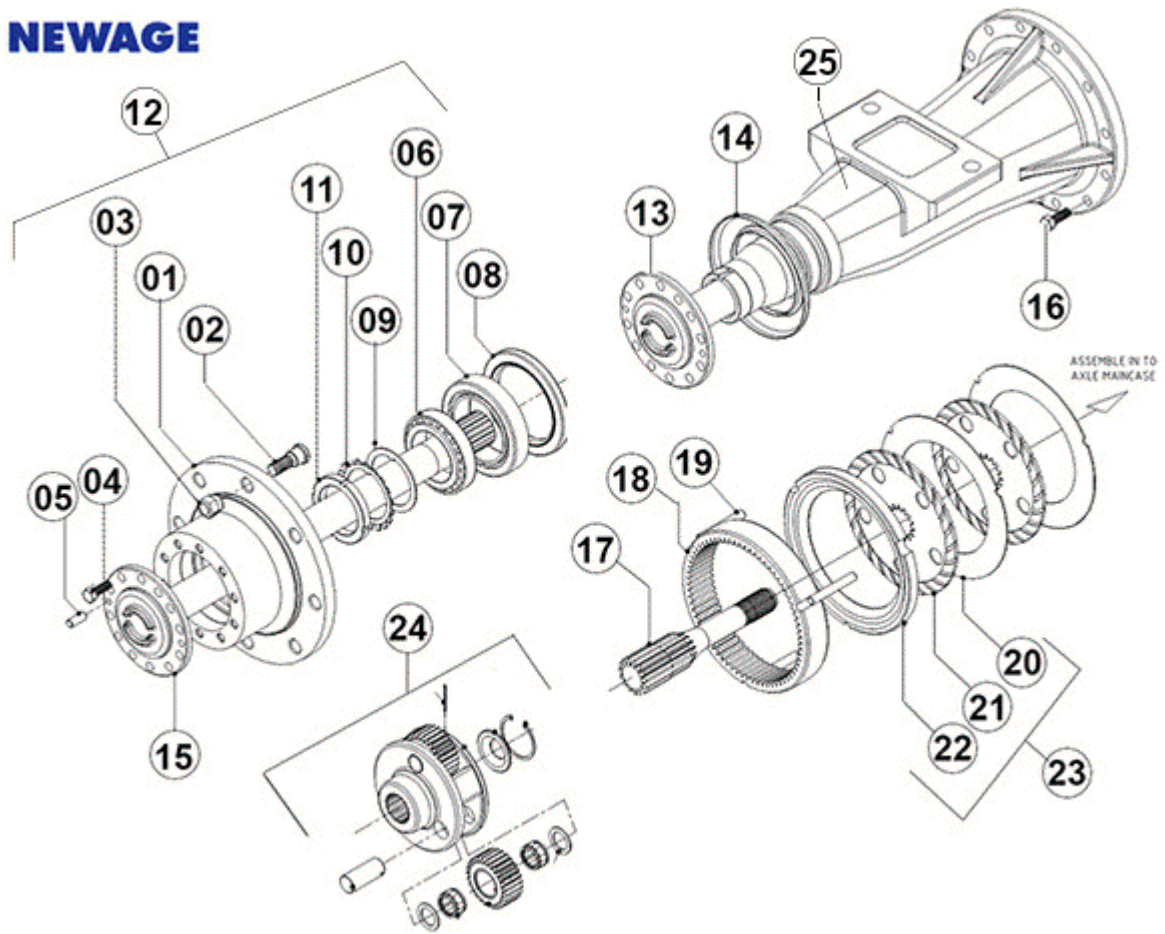


FIGURE	REFERENCE	DENOMINATION	AMOUNT
001	NE9150041	HUB	1
002	NE4000450	WHEEL STUD M18	8
003	NE0070170	WHEEL NUT	8
004	NE0041612F	BOLT	12
005	NE0211225	DOWEL PIN	2
006	NE055C054	BEARING CONE	1
007	NE055U099	BEARING CUP	1
008	NE9152850	HUB SEAL	1
009	NE9151440	SPACER	1
010	NE010W851	LOCKWASHER	1
011	NE010N851	LOCKNUT	1
012	NE9159540	HUB ASSY	1
013	NE9150101	AXLE SHAFT (1840 MM)	2
014	NE9150910	OIL SEAL	2
015	NE9150101	AXLE SHAFT (1840 MM)	2
016	NE0041614F	BOLT	24

017	NE9150090	SUN GEAR	2
018	NE9150071	ANNULUS	2
019	NE02112130	DOWEL PIN	6
020	NE9150891	BRAKE PLATE	4
021	NE9150751	BRAKE DISC	4
022	NE9150882	BRAKE SPACER PLATE	2
023	NE9150751KIT	Paper Plate Brake Kit	1
024	NE9159585	PLANET CARRIER KIT	1
025	NE9150020	AXLE ARM	2

### 03. TRANSMISSION FRONT AXLE - REDUCTION CHASSIS: 63011

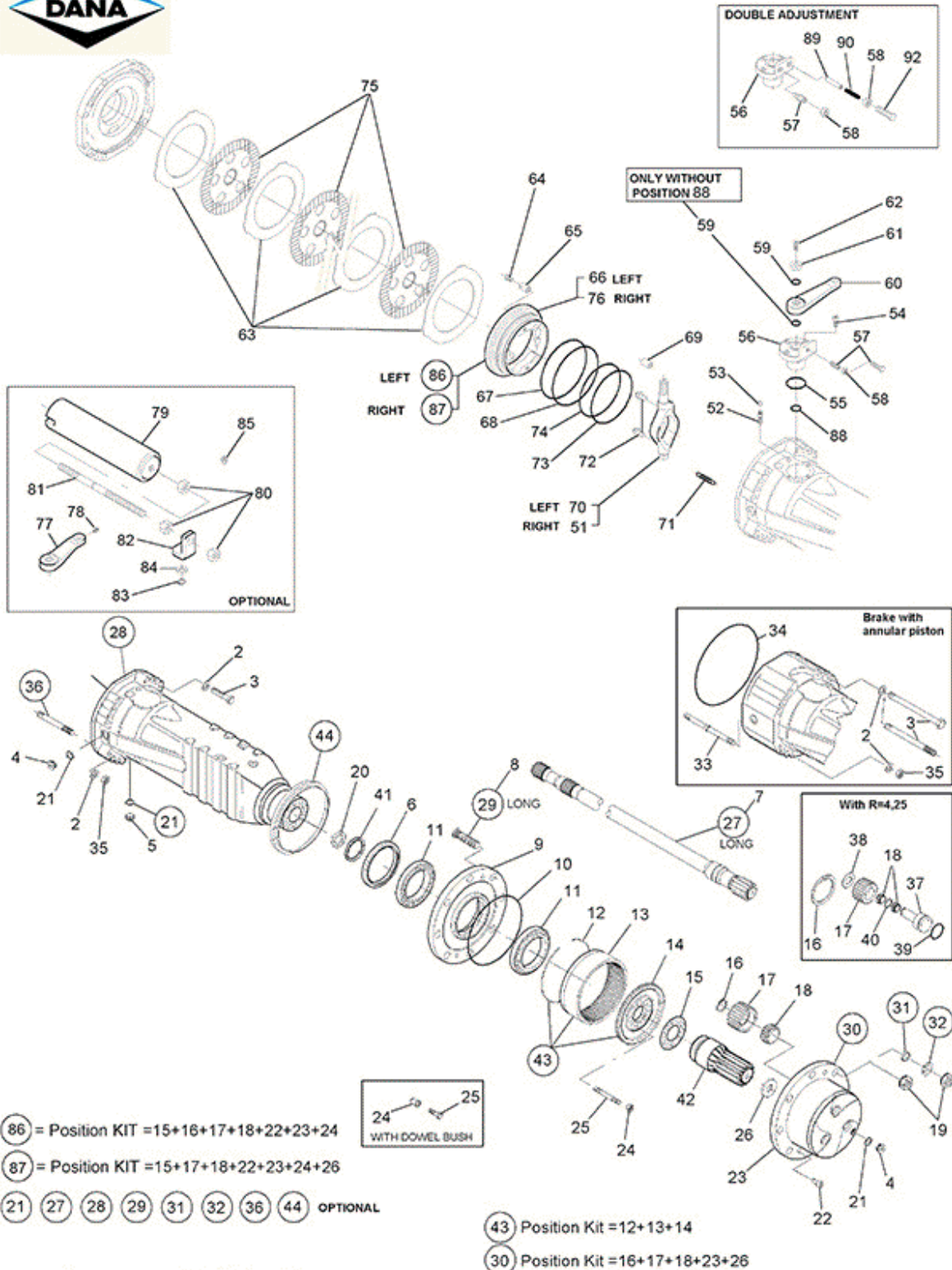


FIGURE	REFERENCE	DENOMINATION	AMOUNT
001	DA1120601813	AXLE CASE	2
003	DA1120607001	SCREW	32
004	DA1120161001	CAP	4

005	DA1120161003	MAGNET PLUG	2
006	DA1770600901	SEAL	2
007	DA1120600201	HALF SHAFT	2
008	DA7020601702	STUD	16
009	DA1120604901	WHEEL HUB	2
010	DA001051178	O-RING	2
011	DA005103166	BUSH	4
012	DA002063193	CIRCLIP	2
013	DA1120600504	CROWN GEAR	2
014	DA1120600707	SUPPORT	2
015	DA1120602601	LOCK PLATE	2
016	DA002143191	CIRCLIP	8
017	DA1120600603	PLANET GEAR	8
018	DA1120600802	BEARING	8
019	DA006080206	WHEEL NUT	16
020	DA001403167	SEAL	2
022	DA016060442	SCREW	4
023	DA1120605005	PLANET CARRIER COVER	2
024	DA006041159	NUT	16
025	DA1120602501	STUD	16
026	DA1120601702	WASHER	2
030	DA2120671018	PLANET CARRIER COVER	2
043	DA2120670707	CROWN GEAR SUPPORT KIT	2
051	DA1120770101	RIGHT LEVER	1
052	DA7340701401	BOLT	2
053	DA7340701501	CAP	2
054	DA016040705	CYLINDER BOLT	6
055	DA001051494	O-RING	2
056	DA1120701504	REDUCTION BUSH	2
057	DA016082083	SCREW	2
058	DA006030195	NUT	2
059	DA001051358	O-RING	2
060	DA7340702505	LEVER	2

### 03. TRANSMISSION

#### FRONT AXLE - REDUCTION

CHASSIS: 63011

FIGURE	REFERENCE	DENOMINATION	AMOUNT
061	DA1710700701	WASHER	2
062	DA016060439	COUNTERSUNK BOLT	2
063	DA1120700601	INTERMEDIATE BRAKE DISC	10
064	DA1120703712	ADJUSTING BOLT	6

065	DA1120700203	SPRING	3
066	DA1120700719	LEFT PISTON	1
067	DA1120700902	RING	1
068	DA1120700802	RING	1
069	DA014020913	DOWEL	2
070	DA1120770201	LEFT LEVER	1
071	DA1800700401	SPRING	6
072	DA7380701802	PUSHER	2
073	DA1120700901	RING	1
074	DA1120700801	O-RING	1
075	DA1120761002	BRAKE DISC	8
076	DA1120700720	RIGHT PISTON	1
086	DA1120770303	RIGHT PISTON KIT	1
087	DA1120770304	LEFT PISTON KIT	1
088	DA001051588	O-RING	2

### 03. TRANSMISSION

#### REAR AXLE

## NEWAGE

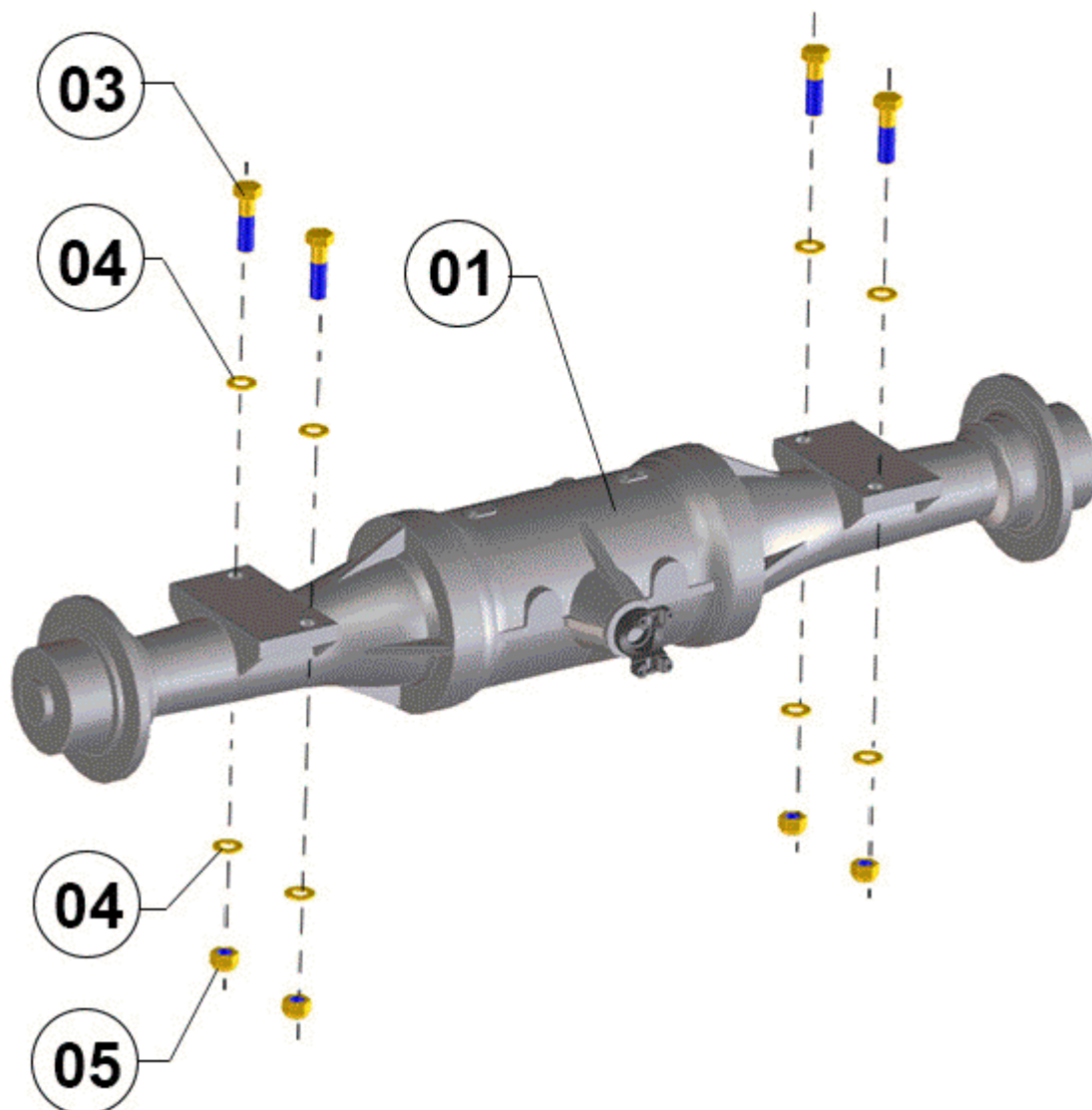


FIGURE	REFERENCE	DENOMINATION	AMOUNT
001	63.03112.00	REAR FIX AXLE	1
003	604.27090.86	BOLT DIN931 M27x90	16
004	101.27000.66	WASHER DIN125	32
005	720.27000.86	NUT DIN985 M27	16



### 03. TRANSMISSION

#### REAR AXLE

CHASSIS: 61801

## NEWAGE

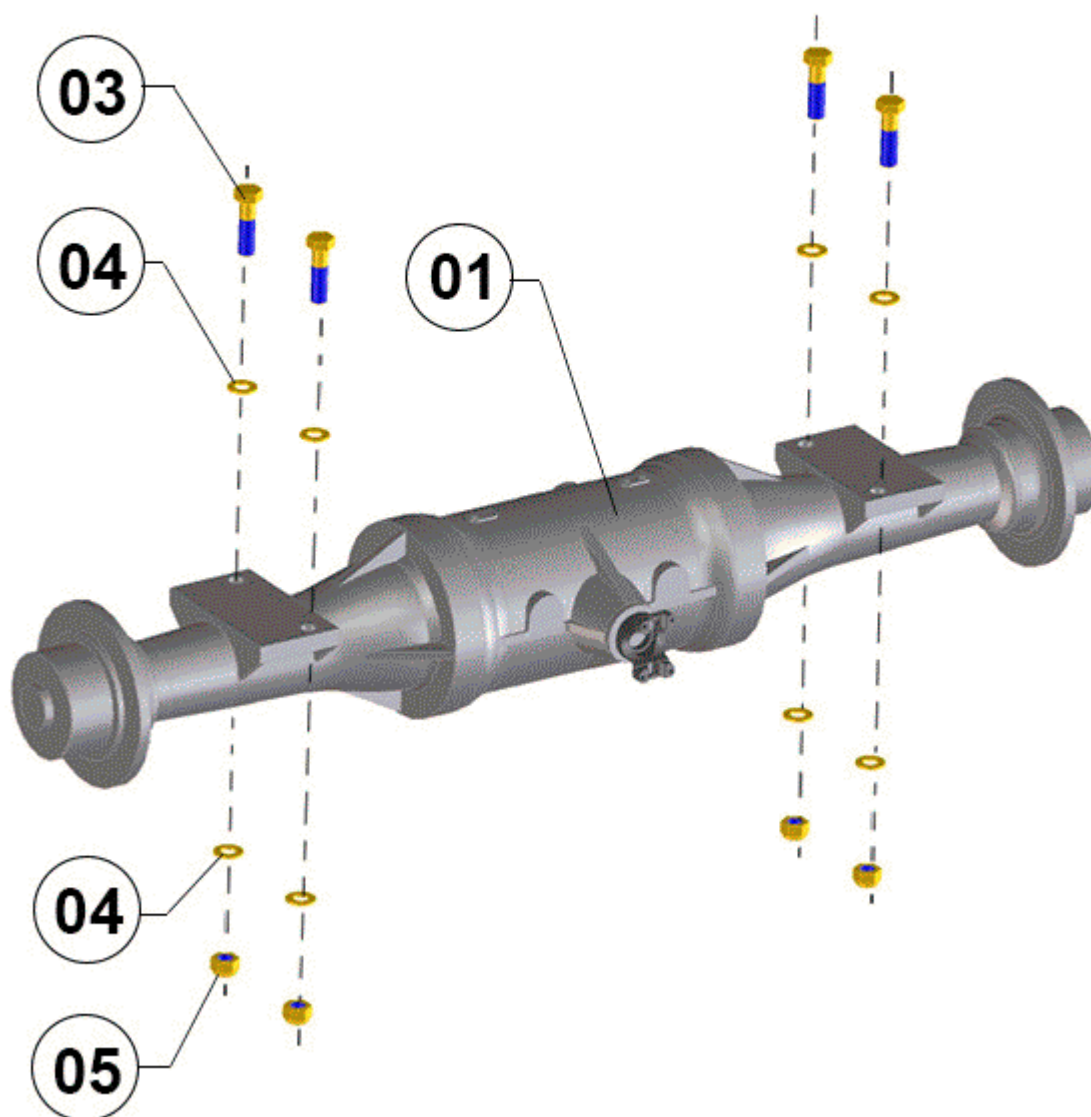


FIGURE	REFERENCE	DENOMINATION	AMOUNT
001	63.03112.00	REAR FIX AXLE	1
003	604.27110.86	SCREW DIN931 M27X110	16
004	101.27000.66	WASHER DIN125	32
005	720.27000.86	NUT DIN985 M27	16

### 03. TRANSMISSION

#### REAR AXLE

CHASSIS: 63011

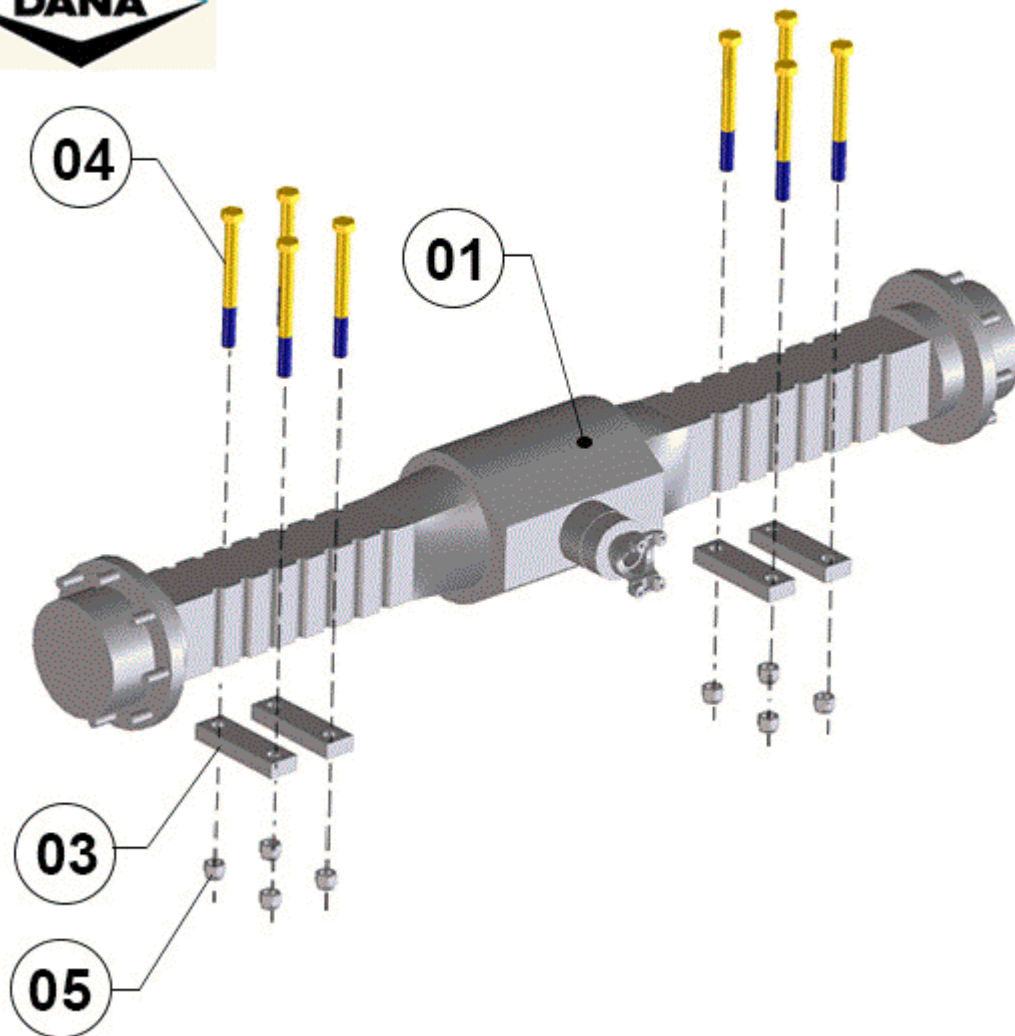


FIGURE	REFERENCE	DENOMINATION	AMOUNT
001	63.03214.00	REAR FIX AXLE	1
003	64.04139.00	Deck 30X60X205	4
004	604.24250.86	SCREW DIN931 M24X250	8
005	711.24000.86	NUT DIN982 M24	8
006	101.24000.66	WASHER DIN125	16

**03. TRANSMISSION**  
**REAR AXLE - DIFFERENTIAL**

**NEWAGE**

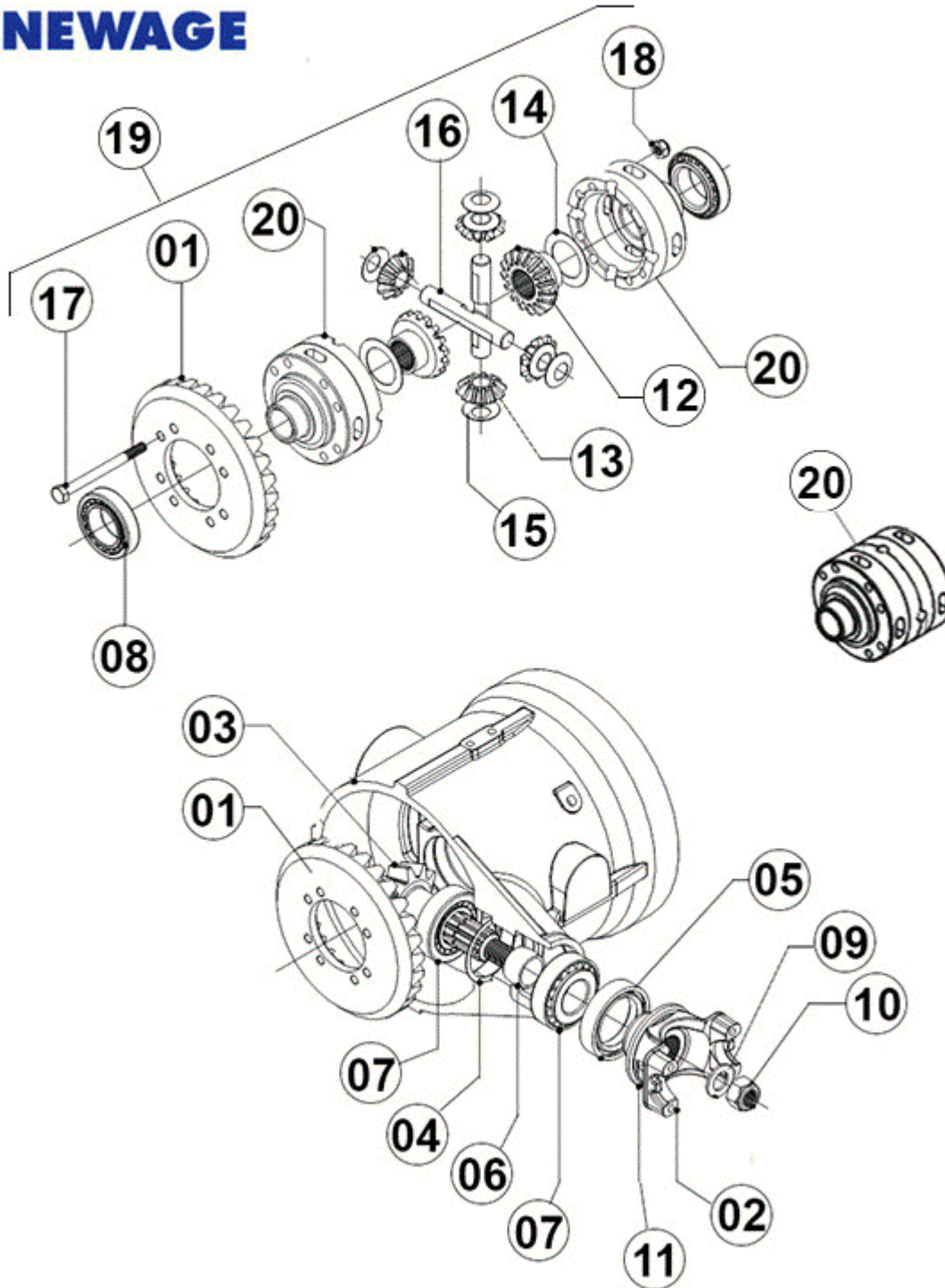


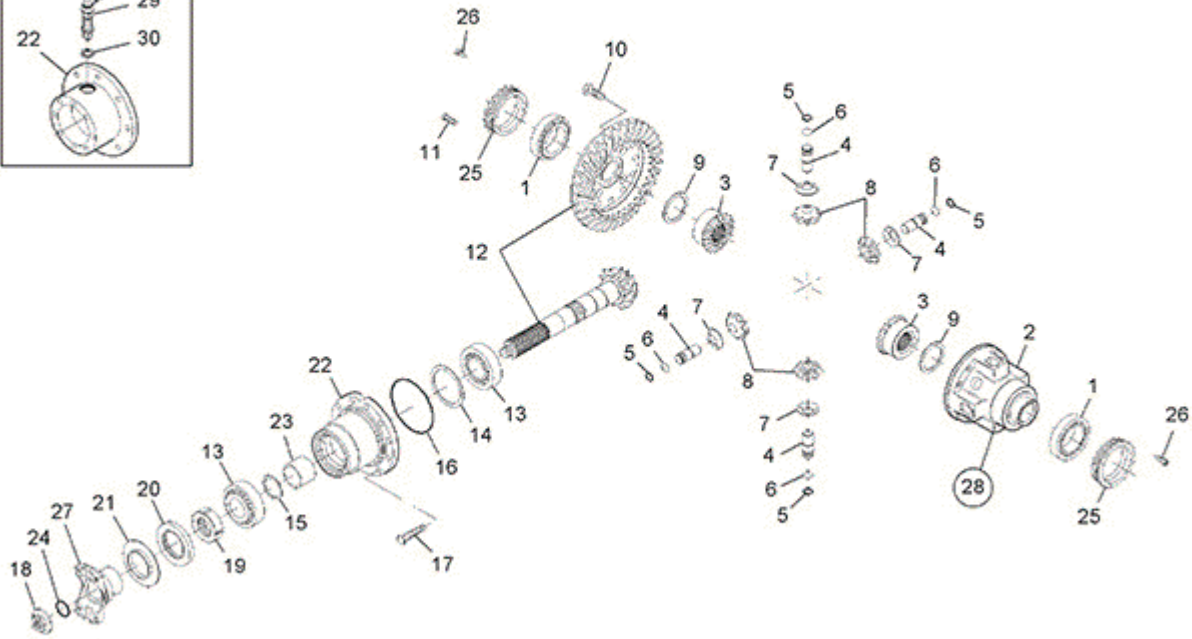
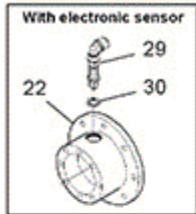
FIGURE	REFERENCE	DENOMINATION	AMOUNT
001	NE9169820	SPIRAL BEVEL PINION & SPIRAL BEVEL WHEEL	1
002	NE9152180	INPUT DRIVE FLANGE	1
003	NE9159820	CROWN WHEEL & PINION ASSY	1
004	NE057340A	SHIM 0.5 MM	1
004	NE057340B	SHIM 0.75 MM	1

004	NE057340C	SHIM 0.25 MM	1
005	NE0020070	OIL SEAL	2
006	NE4001050	COLLAPSIBLE SPACER	1
007	NE0010070	BEARING	1
009	NE9152190	PLAIN WASHER	1
010	NE4002200	NUT	1
011	NE9152180	INPUT DRIVE FLANGE	1
012	NE9152090	DIFFERENTIAL CROWN WHEEL	2
013	NE9152100	DIFFERENTIAL PINION	4
014	NE9152110	THRUST WASHER	2
016	NE9152130	DIFFERENTIAL SPIDER (HALF)	2
017	NE0041225HT	BOLT	8
018	NE0070360	NYLOC NUT	8
019	NE9159630	DIFFERENTIAL ASSY	1
020	NE9152070	DIFFERENTIAL CASE LH	1
020	NE9152080	DIFFERENTIAL CASE RH	1

### 03. TRANSMISSION

#### REAR AXLE - DIFFERENTIAL

CHASSIS: 63011



28 = Position Kit = 2+3+4+5+6+7+8+9

FIGURE	REFERENCE	DENOMINATION	AMOUNT
001	DA005091039	TAPER ROLLER BEARING	2
002	DA1120400104	DIFFERENTIAL CARRIER	1
003	DA1120400501	DIFFERENTIAL SIDE GEAR	2
004	DA1120400603	PIN	4
005	DA002143244	CIRCLIP	4
006	DA002063163	CIRCLIP	4
007	DA1120400801	WASHER	4
008	DA1120400404	SATELLITE	4
009	DA1120400701	FRICTION WASHER	2
010	DA016283390	SCREW	12
011	DA016040417	BOLT	4
012	DA1120450059	BEVEL GEAR SET	1
013	DA005100162	BUSH	2
014	DA013011279	SHIM	1
014	DA013011281	SHIM	1
014	DA013013055	SHIM	1
014	DA013013066	SHIM	1
015	DA013013117	SHIM	1
015	DA013013118	SHIM	1

015	DA013013119	SHIM	1
015	DA013013120	SHIM	1
018	DA3571413901	NUT	1
019	DA9530401201	CLAMP	1
020	DA001030730	O-RING	1
023	DA1120400902	SPACER	1
024	DA001053158	O-RING	1
025	DA1120401602	CLAMP	2
026	DA016041214	CYLINDER SCREW	2
027	DA1120473101	FLANGE	1
028	DA1120470201	DIFFERENTIAL	1

### 03. TRANSMISSION REAR AXLE - HOUSING

**NEWAGE**

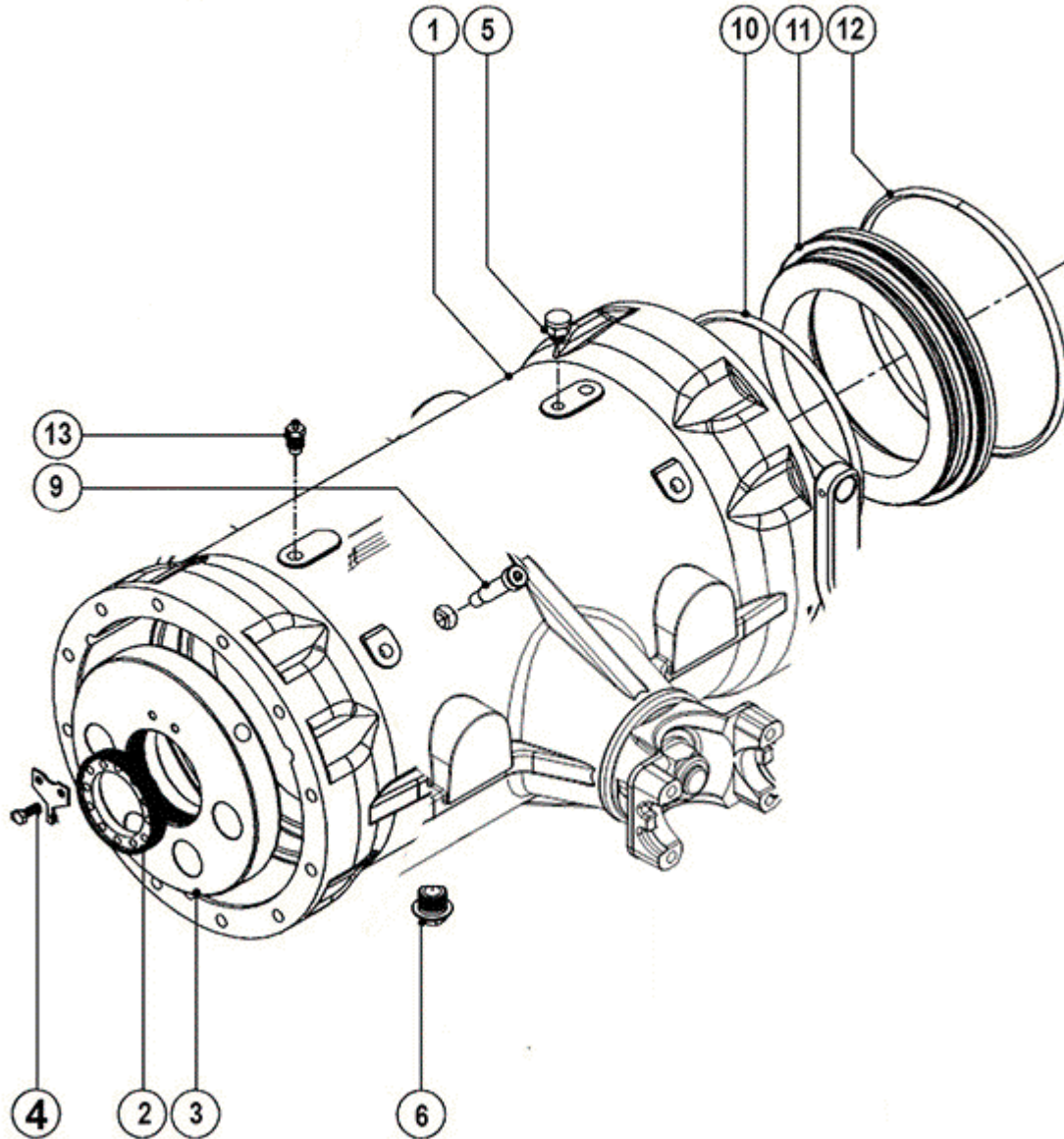


FIGURE	REFERENCE	DENOMINATION	AMOUNT
001	NE9150010	MAINCASE	1
002	NE9152150	BEARING ADJUSTER NUT	2
003	NE9150760	DIFFERENTIAL BEARING CARRIER	1
004	NE0040604P	LOCK SCREW	2
004	NE6162160	LOCK PLATE	1
005	NECP1469	BREATHER	1
006	NE0150250	DRAIN PLUG	2
008	NE0041011	BOLT	2
009	NECP1435	SHOULDER SCREW	4

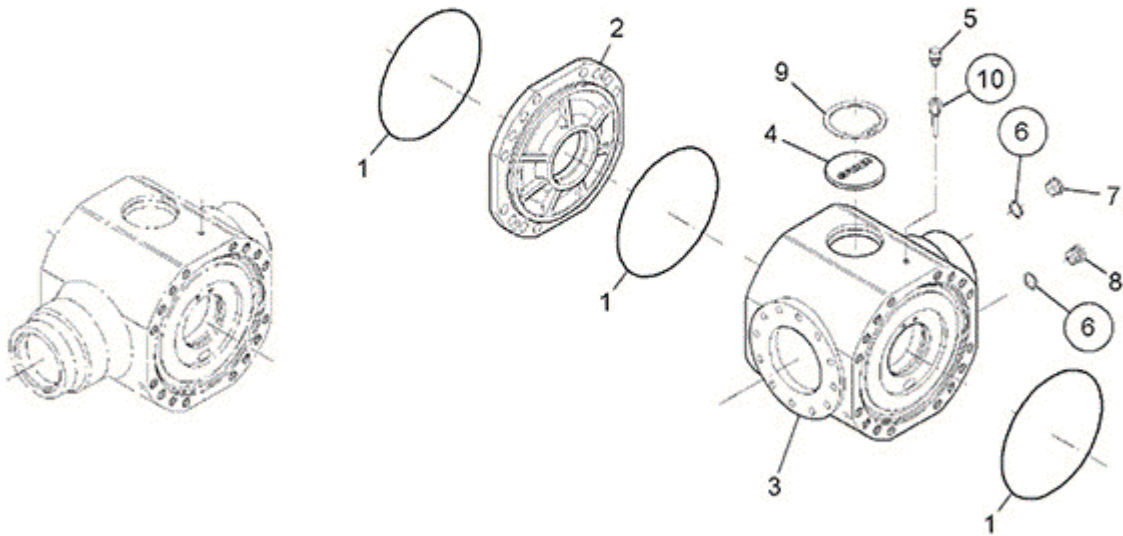
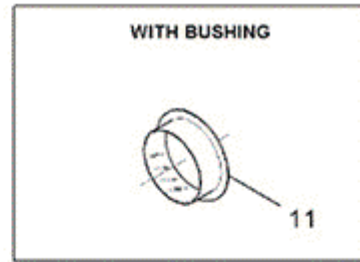
010	NE0432208	O-RING	2
011	NE9150780	BRAKE PISTON	2
012	NE0432408	O-RING	2
013	NE0080240	BLEED VALVE	1



### 03. TRANSMISSION

#### REAR AXLE - HOUSING

CHASSIS: 63011



6 10 OPTIONAL

FIGURE	REFERENCE	DENOMINATION	AMOUNT
001	DA001051178	O-RING	3
002	DA1120100703	INTERMEDIATE COVER	1
003	DA1120103701	CASE	1
004	DA1710101504	CAP	1
005	DA1120101801	VENT	1
007	DA1120161001	CAP	1
008	DA1120161003	MAGNET PLUG	1
009	DA002020088	CIRCLIP	1

### 03. TRANSMISSION REAR AXLE - HUB REDUCTION

**NEWAGE**

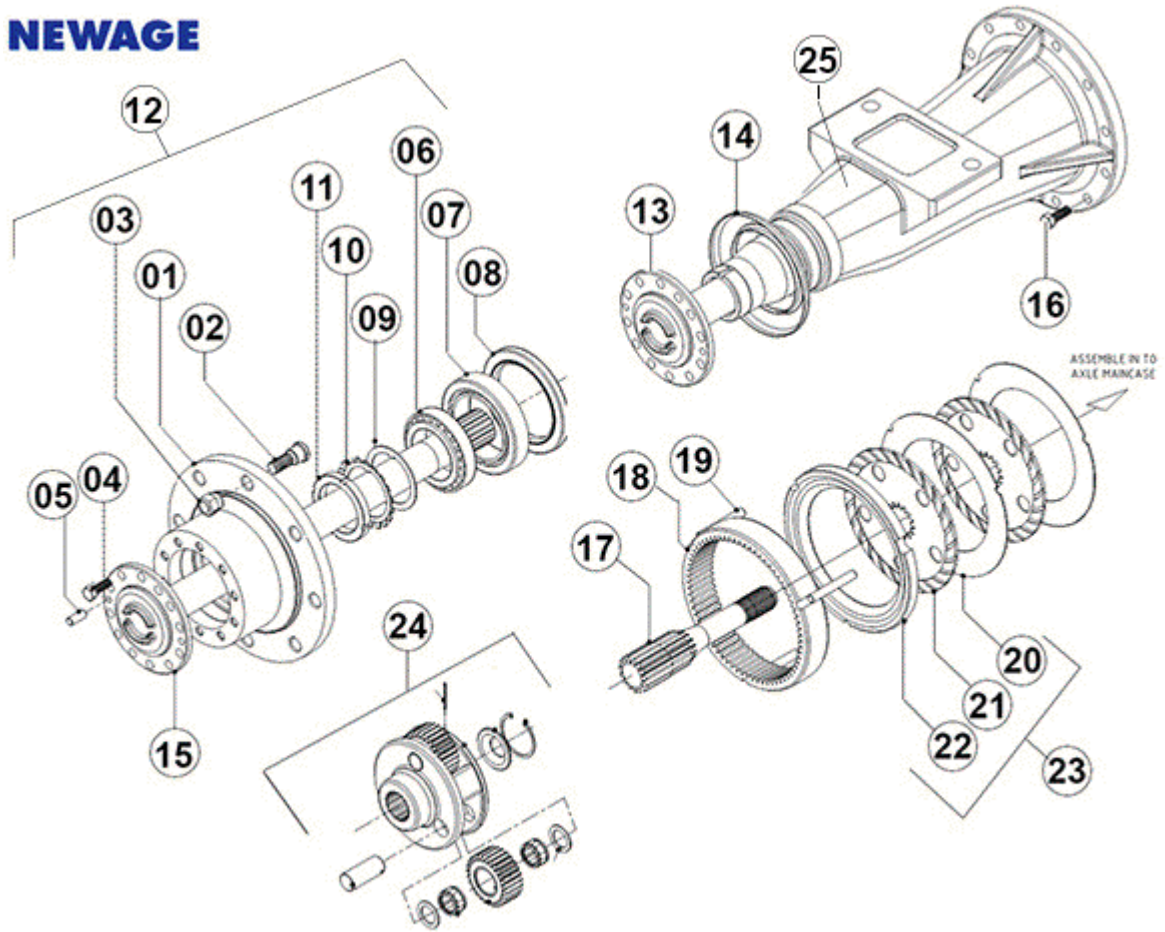


FIGURE	REFERENCE	DENOMINATION	AMOUNT
001	NE9150041	HUB	1
002	NE4000450	WHEEL STUD M18	8
003	NE0070170	WHEEL NUT	8
004	NE0041612F	BOLT	12
005	NE0211225	DOWEL PIN	2
006	NE055C054	BEARING CONE	1
007	NE055U099	BEARING CUP	1
008	NE9152850	HUB SEAL	1
009	NE9151440	SPACER	1
010	NE010W851	LOCKWASHER	1
011	NE010N851	LOCKNUT	1
012	NE9159540	HUB ASSY	1
013	NE9150101	AXLE SHAFT (1840 MM)	2
014	NE9150910	OIL SEAL	2
015	NE9150101	AXLE SHAFT (1840 MM)	2
016	NE0041614F	BOLT	24

017	NE9150090	SUN GEAR	2
018	NE9150071	ANNULUS	2
019	NE02112130	DOWEL PIN	6
020	NE9150891	BRAKE PLATE	4
021	NE9150751	BRAKE DISC	4
022	NE9150882	BRAKE SPACER PLATE	2
024	NE9159585	PLANET CARRIER KIT	1
025	NE9150020	AXLE ARM	2

### 03. TRANSMISSION

#### REAR AXLE - HUB REDUCTION

CHASSIS: 63011

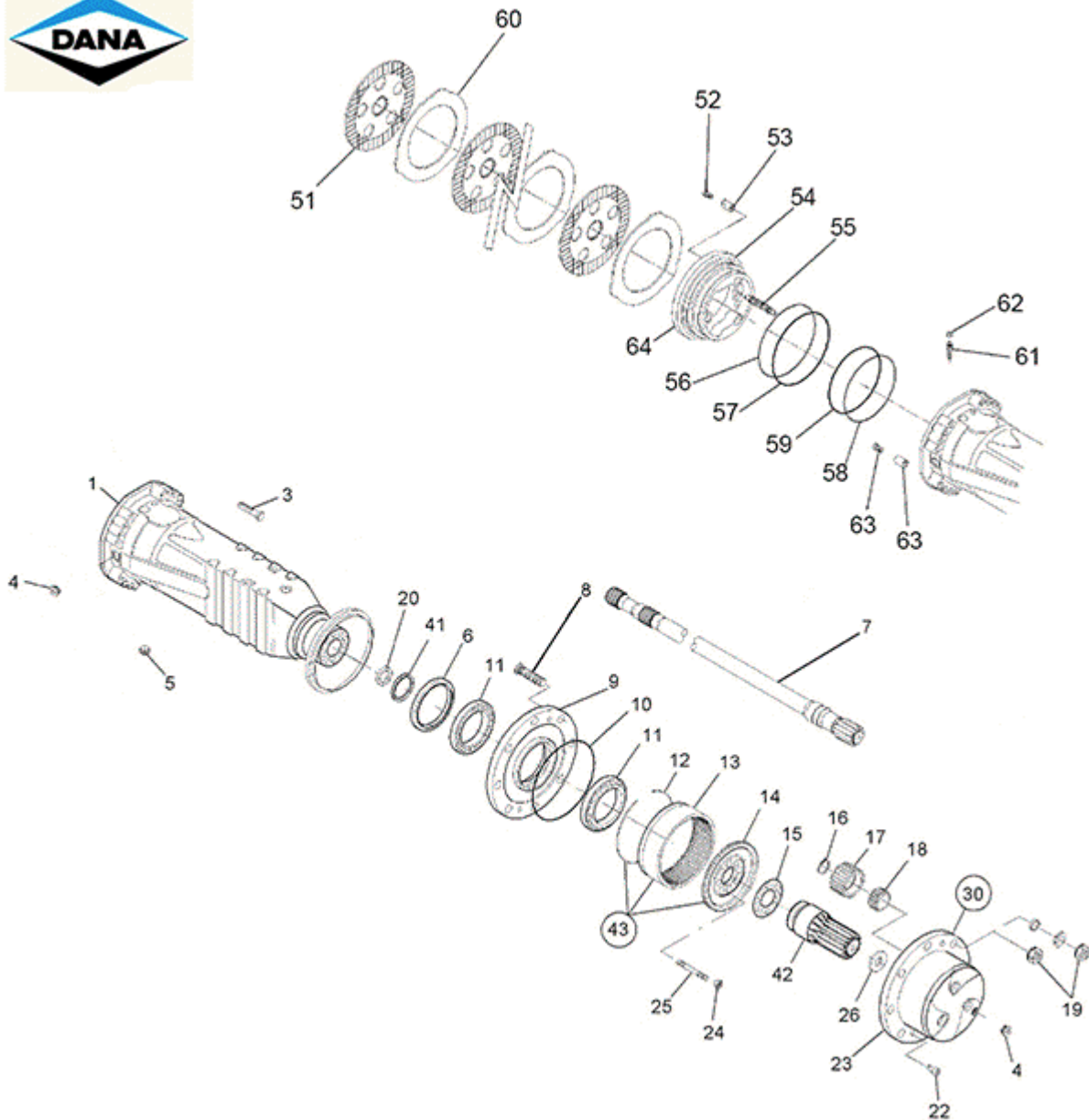


FIGURE	REFERENCE	DENOMINATION	AMOUNT
001	DA1120601814	AXLE CASE	2
003	DA1120607001	SCREW	32
004	DA1120161001	CAP	4
005	DA1120161003	MAGNET PLUG	2
006	DA1770600901	SEAL	2
007	DA1120600201	HALF SHAFT	2
008	DA7020601702	STUD	16
009	DA1120604901	WHEEL HUB	2
010	DA001051178	O-RING	2

011	DA005103166	BUSH	4
012	DA002063193	CIRCLIP	2
013	DA1120600504	CROWN GEAR	2
014	DA1120600707	SUPPORT	2
015	DA1120602601	LOCK PLATE	2
016	DA002143191	CIRCLIP	8
017	DA1120600603	PLANET GEAR	8
018	DA1120600802	BEARING	8
019	DA006080206	WHEEL NUT	16
020	DA001403167	SEAL	2
022	DA016060442	SCREW	4
023	DA1120605005	PLANET CARRIER COVER	2
024	DA006041159	NUT	16
025	DA1120602501	STUD	16
026	DA1120601702	WASHER	2
030	DA2120671018	PLANET CARRIER COVER	2
043	DA2120670707	CROWN GEAR SUPPORT KIT	2
051	DA1120761002	BRAKE DISC	6
052	DA1120703709	SCREW	6
053	DA1120700203	SPRING	6
054	DA1120700714	PISTON	2
055	DA1800700401	SPRING	6
056	DA1120700902	RING	2
057	DA1120700802	RING	2
058	DA1120700901	RING	2
059	DA1120700801	O-RING	2
060	DA1120700601	INTERMEDIATE BRAKE DISC	8

### 03. TRANSMISSION

#### REAR AXLE - HUB REDUCTION

CHASSIS: 63011

FIGURE	REFERENCE	DENOMINATION	AMOUNT
061	DA7340701401	BOLT	2
062	DA7340701501	CAP	2
063	DA014020913	DOWEL	2
064	DA1120770402	KIT	2

### 03. TRANSMISSION

#### UNIVERSAL JOINT

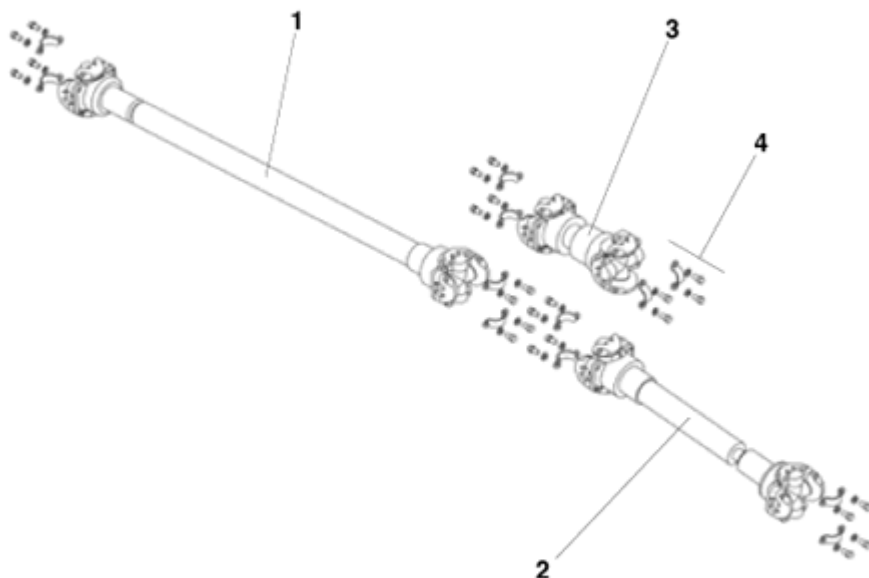


FIGURE	REFERENCE	DENOMINATION	AMOUNT
001	63.03603.00	CARDAN JOINT 98X1064	1
002	63.03602.00	CARDAN JOINT 98X525.5	1
003	63.03601.00	CARDAN JOINT 98X219.5	1
004	64.03123.00	KIT CABLE TIE WITH SCREWS NEWAGE	12

### 03. TRANSMISSION

#### UNIVERSAL JOINT

CHASSIS: 63011

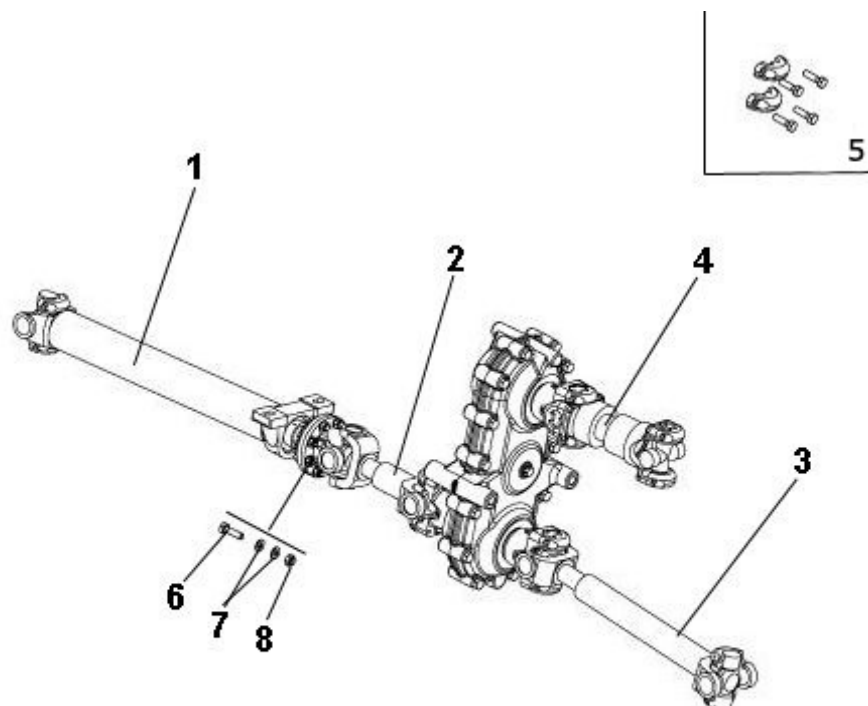


FIGURE	REFERENCE	DENOMINATION	AMOUNT
001	64.03603.00	CARDAN JOINT 712	1
002	64.03605.00	CARDAN JOINT 265-303	1
003	63.03602.01	CARDAN JOINT 535-465 1480	1
004	63.03610.00	CARDAN JOINT S1480 188+40	1
005	63.03123.00	KIT CABLE TIE WITH SCREWS DANA	8
006	604.10035.86	SCREW DIN931	8
007	101.10000.66	WASHER DIN125 D10	16
008	720.10000.66	NUT	8

### 03. TRANSMISSION

#### UNIVERSAL JOINT

CHASSIS: 68237

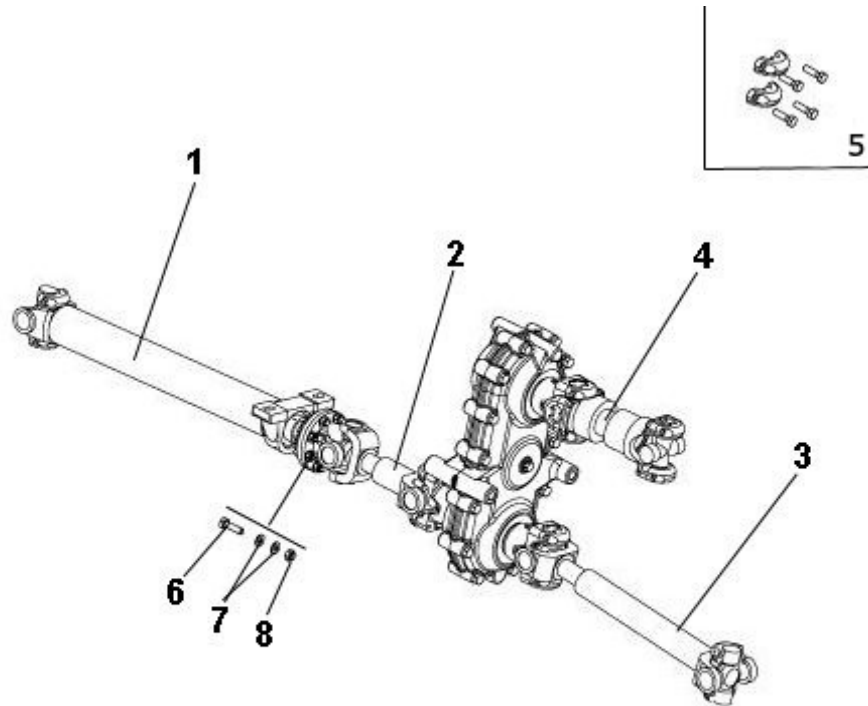


FIGURE	REFERENCE	DENOMINATION	AMOUNT
001	64.03603.00	CARDAN JOINT 712	1
002	64.03605.00	CARDAN JOINT 265-303	1
003	63.03602.01	CARDAN JOINT 535-465 1480	1
004	64.03605.00	CARDAN JOINT 265-303	1
005	63.03123.00	KIT CABLE TIE WITH SCREWS DANA	8
006	604.10035.86	SCREW DIN931	8
007	101.10000.66	WASHER DIN125 D10	16
008	720.10000.66	NUT	8



## 04. CHASSIS

### CHASSIS

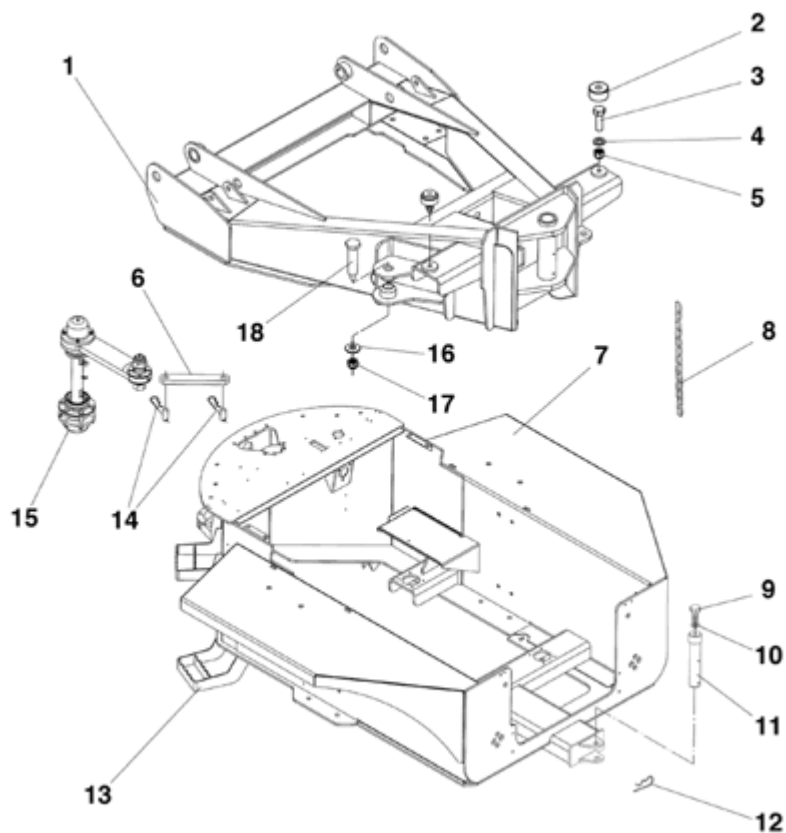


FIGURE	REFERENCE	DENOMINATION	AMOUNT
001	63.04100.00	FRAME 555X1356X1590	1
002	20.03002.00	BUTT	2
003	601.16060.86	HEXAGON SOCKET HEAD SCREW DIN912 M16x60	2
004	101.16000.66	WASHER DIN125 D16	2
005	711.16000.66	NUT DIN982 M16 8.8 K	2
006	64.06223.00	CON ROD 50x55x300	1
007	63.04400.00	FRAME 2523x2300x1150	1
008	15.00834.00	CHAIN	1
009	603.05010.86	SCREW DIN933 M5x10	1
010	701.05000.66	NUT DIN934 M5x0.8	1
011	15.00835.00	AXLE CPA/GRA 25x30x135	1
012	15.00836.00	PIN DIN11024 R4	1
013	64.04426.01	SUPPORT PLATE 366X270X140	1
014	15.00836.02	PIN	2
015	64.06218.01	COVER 73/160	1
016	15.00561.00	WASHER DIN125 20.5x45x5	1
017	711.20000.66	NUT	1
018	64.04135.00	AXLE	1

## 04. CHASSIS

### CHASSIS

CHASSIS: 63011

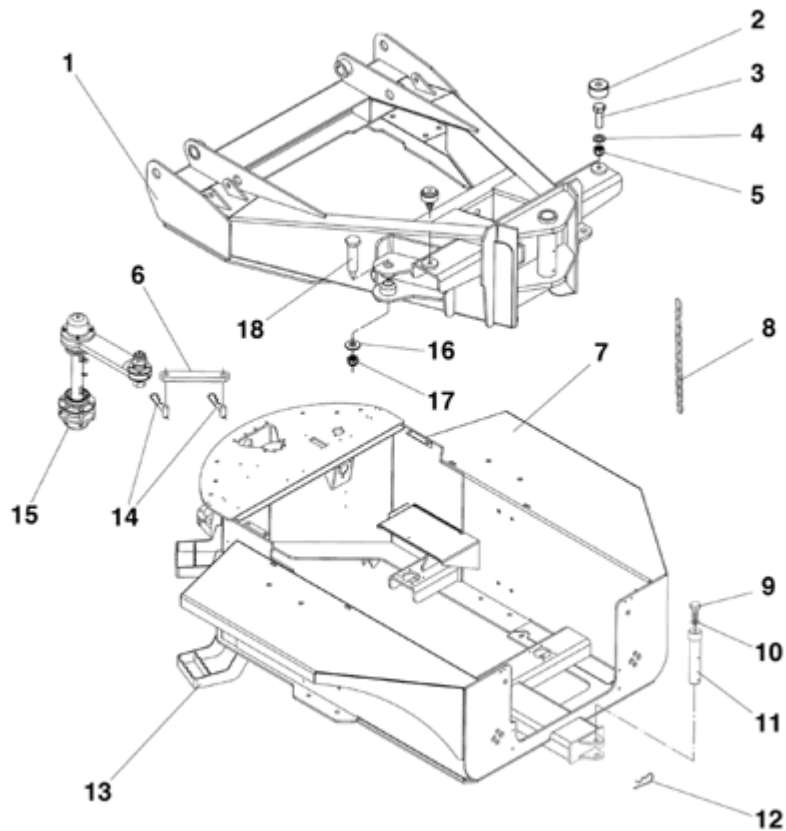


FIGURE	REFERENCE	DENOMINATION	AMOUNT
001	63.04100.01	FRAME 555X1356X1590	1
002	20.03003.01	ABSORVER SUPPORT 75X34X35	2
003	601.16060.86	HEXAGON SOCKET HEAD SCREW DIN912 M16x60	2
004	101.16000.66	WASHER DIN125 D16	2
005	711.16000.66	NUT DIN982 M16 8.8 K	2
006	64.06223.00	CON ROD 50x55x300	1
007	63.04400.01	10T REAR AXLE	1
008	15.00834.00	CHAIN	1
009	603.05010.86	SCREW DIN933 M5x10	1
010	701.05000.66	NUT DIN934 M5x0.8	1
011	15.00835.00	AXLE CPA/GRA 25x30x135	1
012	15.00836.00	PIN DIN11024 R4	1
013	64.04426.01	SUPPORT PLATE 366X270X140	1
014	15.00836.02	PIN	2
015	64.06218.01	COVER 73/160	1
016	15.00561.00	WASHER DIN125 20.5x45x5	1
017	711.20000.66	NUT	1
018	64.04135.00	AXLE	1

## 04. CHASSIS

### CHASSIS

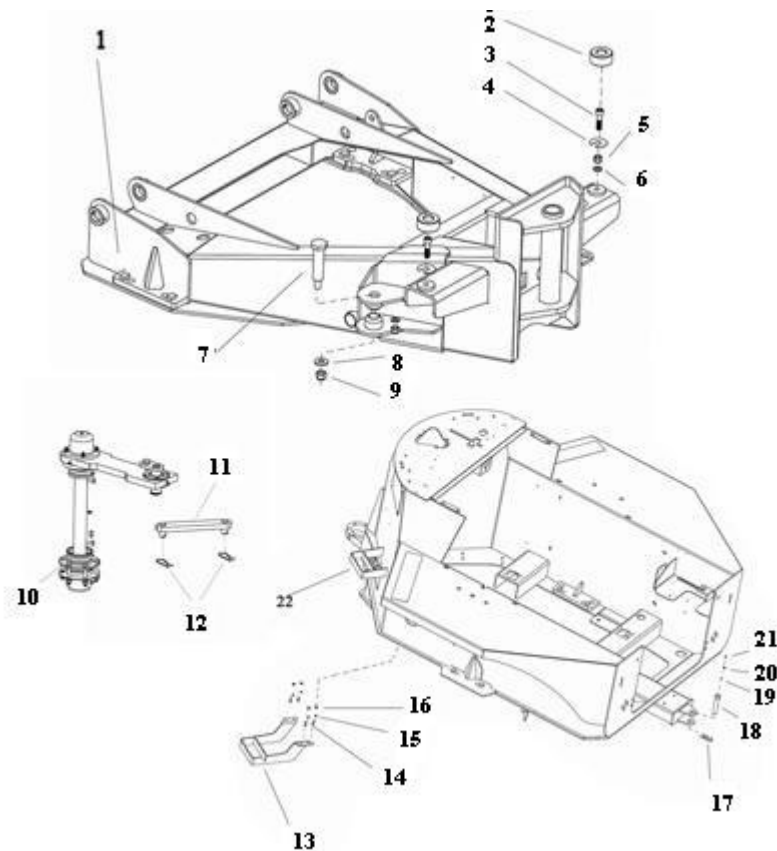


FIGURE	REFERENCE	DENOMINATION	AMOUNT
001	63.04100.01	FRAME 555X1356X1590	1
002	20.03003.01	ABSORVER SUPPORT 75X34X35	2
003	601.16060.86	HEXAGON SOCKET HEAD SCREW DIN912 M16x60	2
004	63.04428.00		2
005	711.16000.66	NUT DIN982 M16 8.8 K	2
006	101.16000.66	WASHER DIN125 D16	2
007	64.04135.00	AXLE	1
008	15.00561.00	WASHER DIN125 20.5x45x5	1
009	711.20000.66	NUT	1
010	64.06218.01	COVER 73/160	1
011	64.06223.00	CON ROD 50x55x300	1
012	15.00836.02	PIN	2
013	64.04426.01	SUPPORT PLATE 366X270X140	2
014	603.08020.86	SCREW DIN933 M8x20	8
015	104.08000.00	WASHER DIN7980 D8	8
016	101.08000.66	WASHER DIN125 D8	8
017	15.00836.00	PIN DIN11024 R4	1
018	15.00835.00	AXLE CPA/GRA 25x30x135	1

## 04. CHASSIS

### CHASSIS

FIGURE	REFERENCE	DENOMINATION	AMOUNT
019	701.05000.66	NUT DIN934 M5x0.8	1
020	15.00834.00	CHAIN	1
021	603.05010.86	SCREW DIN933 M5x10	1

## 04. CHASSIS

### CHASSIS AXLE (PART 1)

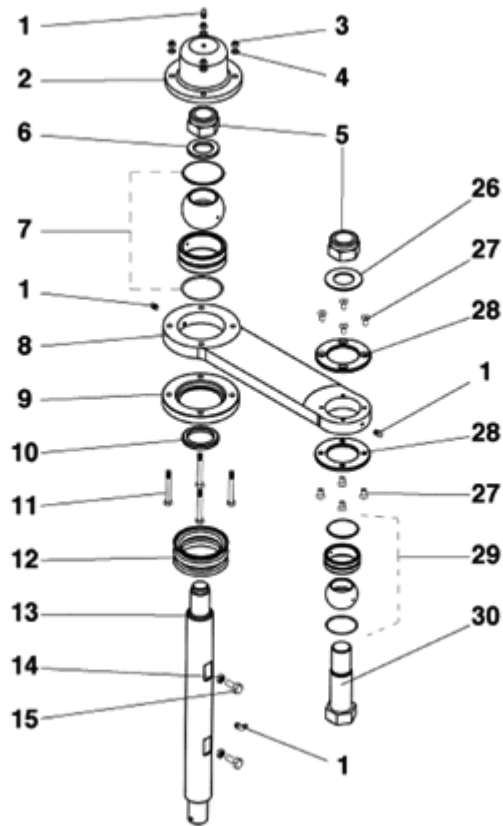


FIGURE	REFERENCE	DENOMINATION	AMOUNT
001	901.08000.33	GREASER DIN71412-A M8x1,25	5
002	64.06210.00	COVER 82x145	1
003	711.08000.66	NUT DIN982 M8	4
004	101.08000.66	WASHER DIN125 D8	4
005	720.36000.86	NUT DIN982 M36	2
006	64.06221.00	RING 37x60x6	1
007	941.50056.00	BUSHING	1
008	64.06212.00	CONNECTING ROD	1
009	64.06213.00	COVER	1
010	64.06215.00	RING 8x51x70	2
011	604.08070.86	SCREW DIN931	4
012	64.06214.00	DUST EXCLUDER 43x103	2
013	63.04144.00	AXLE 36X36X626	1
014	701.10000.66	NUT DIN934 M10x1.5	2
015	603.10025.86	SCREW DIN933 M10x25	2
026	101.36000.66	WASHER DIN125	1
027	618.08016.86	FLAT HEAD SOCKET CAP SCREW DIN7991 M8x16	8
028	64.06219.00	COVER 6x104	2

## 04. CHASSIS

### CHASSIS AXLE (PART 1)

FIGURE	REFERENCE	DENOMINATION	AMOUNT
029	941.40040.00	BUSHING	1
030	64.06220.01	AXLE 50X36X171	1

# 04. CHASSIS

## CHASSIS AXLE (PART 1)

CHASSIS: 57712

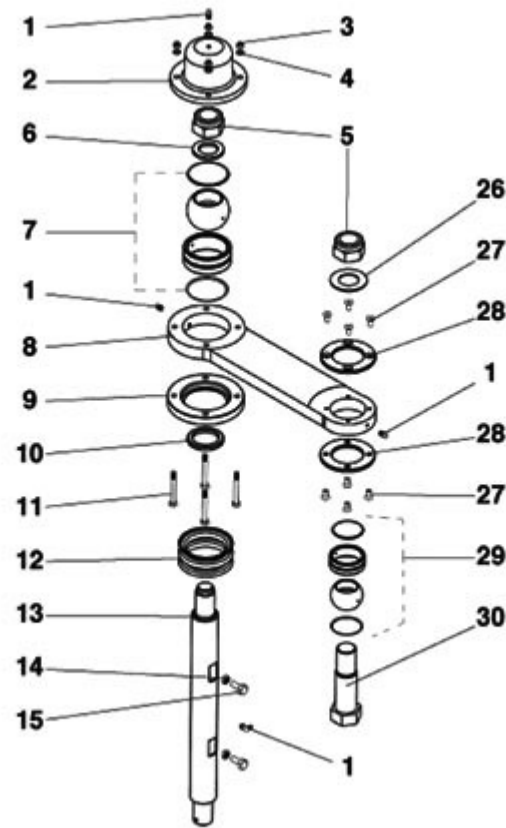


FIGURE	REFERENCE	DENOMINATION	AMOUNT
001	901.08000.33	GREASER DIN71412-A M8x1,25	5
002	64.06210.00	COVER 82x145	1
003	711.08000.66	NUT DIN982 M8	4
004	101.08000.66	WASHER DIN125 D8	4
005	720.36000.86	NUT DIN982 M36	1
006	64.06221.00	RING 37x60x6	1
007	941.50056.00	BUSHING	1
008	64.06212.00	CONNECTING ROD	1
009	64.06213.00	COVER	1
010	64.06215.00	RING 8x51x70	2
011	604.08070.86	SCREW DIN931	4
012	64.06214.00	DUST EXCLUDER 43x103	2
013	63.04144.01	SHAFT 36X36X606	1
014	701.10000.66	NUT DIN934 M10x1.5	2
015	941.40040.00	BUSHING	1
016	64.06220.01	AXLE 50X36X171	1
027	618.08016.86	FLAT HEAD SOCKET CAP SCREW DIN7991 M8x16	8
028	64.06219.00	COVER 6x104	2

## 04. CHASSIS

### CHASSIS AXLE (PART 1)

CHASSIS: 60284

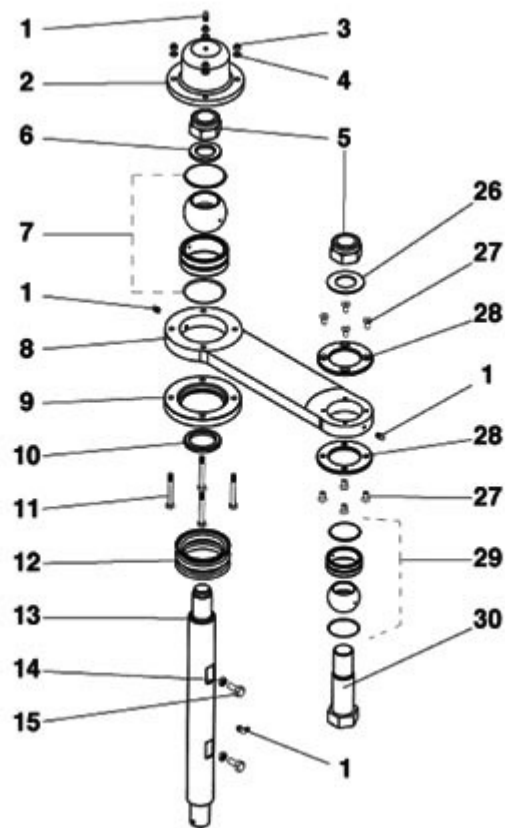


FIGURE	REFERENCE	DENOMINATION	AMOUNT
001	901.08000.33	GREASER DIN71412-A M8x1,25	5
002	64.06210.00	COVER 82x145	1
003	711.08000.66	NUT DIN982 M8	4
004	101.08000.66	WASHER DIN125 D8	4
005	720.36000.86	NUT DIN982 M36	1
006	64.06221.00	RING 37x60x6	1
007	941.50056.01	BUSHING GE50FO 2RS-2C	1
008	64.06212.00	CONNECTING ROD	1
009	64.06213.00	COVER	1
010	64.06215.00	RING 8x51x70	2
011	604.08070.86	SCREW DIN931	4
012	64.06214.00	DUST EXCLUDER 43x103	2
013	63.04144.01	SHAFT 36X36X606	1
014	701.10000.66	NUT DIN934 M10x1.5	2
015	941.40040.00	BUSHING	1
016	64.06220.01	AXLE 50X36X171	1
027	618.08016.86	FLAT HEAD SOCKET CAP SCREW DIN7991 M8x16	8
028	64.06219.00	COVER 6x104	2



## 04. CHASSIS

### CHASSIS AXLE (PART 1)

CHASSIS: 60554

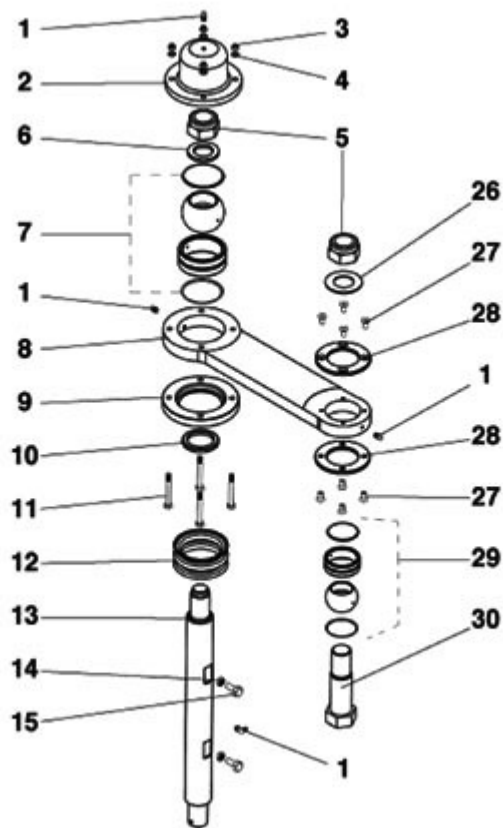


FIGURE	REFERENCE	DENOMINATION	AMOUNT
001	901.08000.33	GREASER DIN71412-A M8x1,25	5
002	64.06210.00	COVER 82x145	1
003	711.08000.66	NUT DIN982 M8	4
004	101.08000.66	WASHER DIN125 D8	4
005	720.36000.86	NUT DIN982 M36	1
006	64.06221.00	RING 37x60x6	1
007	941.50056.01	BUSHING GE50FO 2RS-2C	1
008	64.06212.00	CONNECTING ROD	1
009	64.06213.00	COVER	1
010	64.06215.00	RING 8x51x70	2
011	604.08070.86	SCREW DIN931	4
012	64.06214.00	DUST EXCLUDER 43x103	2
013	63.04144.01	SHAFT 36X36X606	1
014	701.10000.66	NUT DIN934 M10x1.5	2
015	941.40040.01	BUSHING GE40FO 2RS-C2	1
016	64.06220.01	AXLE 50X36X171	1
027	618.08016.86	FLAT HEAD SOCKET CAP SCREW DIN7991 M8x16	8
028	64.06219.00	COVER 6x104	2

## 04. CHASSIS

### CHASSIS AXLE (PART 1)

CHASSIS: 66624

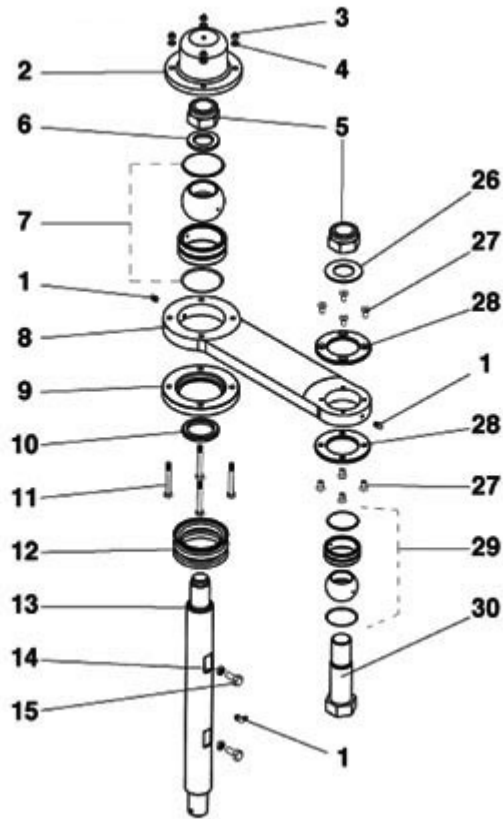


FIGURE	REFERENCE	DENOMINATION	AMOUNT
001	901.08000.33	GREASER DIN71412-A M8x1,25	5
002	64.06210.00	COVER 82x145	1
003	711.08000.66	NUT DIN982 M8	4
004	101.08000.66	WASHER DIN125 D8	4
005	720.36000.86	NUT DIN982 M36	1
006	64.06221.00	RING 37x60x6	1
007	941.50056.01	BUSHING GE50FO 2RS-2C	1
008	64.06212.00	CONNECTING ROD	1
009	64.06213.00	COVER	1
010	64.06215.00	RING 8x51x70	2
011	604.08070.86	SCREW DIN931	4
012	64.06214.00	DUST EXCLUDER 43x103	2
013	63.04144.01	SHAFT 36X36X606	1
014	701.10000.66	NUT DIN934 M10x1.5	2
015	941.40040.01	BUSHING GE40FO 2RS-C2	1
016	64.06220.01	AXLE 50X36X171	1
027	618.08016.86	FLAT HEAD SOCKET CAP SCREW DIN7991 M8x16	8
028	64.06219.00	COVER 6x104	2

## 04. CHASSIS

### CHASSIS AXLE (PART 1)

CHASSIS: 71411

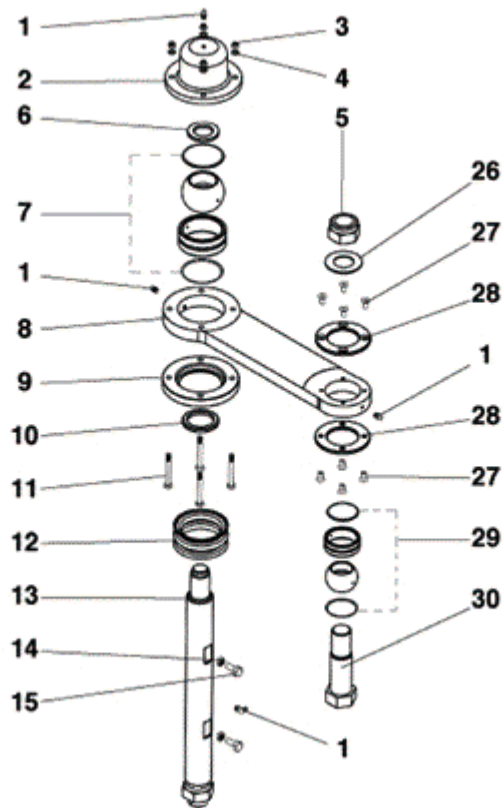


FIGURE	REFERENCE	DENOMINATION	AMOUNT
001	901.08000.33	GREASER DIN71412-A M8x1,25	5
002	64.06210.02	COVER Ø93X145	1
003	711.08000.66	NUT DIN982 M8	4
004	101.08000.66	WASHER DIN125 D8	4
005	720.36000.86	NUT DIN982 M36	1
006	64.06221.00	RING 37x60x6	1
007	941.50056.01	BUSHING GE50FO 2RS-2C	1
008	64.06212.00	CONNECTING ROD	1
009	64.06213.00	COVER	1
010	64.06215.00	RING 8x51x70	2
011	604.08070.86	SCREW DIN931	4
012	64.06214.00	DUST EXCLUDER 43x103	2
013	63.04144.01	SHAFT 36X36X606	1
014	701.10000.66	NUT DIN934 M10x1.5	2
015	941.40040.01	BUSHING GE40FO 2RS-C2	1
016	64.06220.01	AXLE 50X36X171	1
027	618.08016.86	FLAT HEAD SOCKET CAP SCREW DIN7991 M8x16	8
028	64.06219.00	COVER 6x104	2

COMMENTS

---

MOD.4310

## 04. CHASSIS

### CHASSIS AXLE (PART 2)

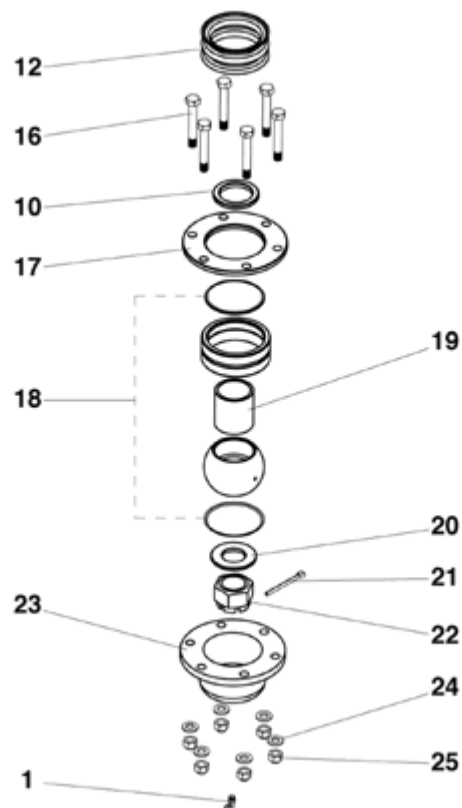


FIGURE	REFERENCE	DENOMINATION	AMOUNT
001	901.08000.33	GREASER DIN71412-A M8x1,25	5
010	64.06215.00	RING 8x51x70	2
012	64.06214.00	DUST EXCLUDER 43x103	2
016	604.12080.86	SCREW DIN931 M12x80	6
017	64.06216.00	COVER	1
018	941.60063.00	KNECK	1
019	64.06217.00	BUSHING 50x60x5	1
020	64.06222.00	RING 37x70x6	1
021	401.06070.60	PIN DIN94 6x70	1
022	703.36000.60	NUT DIN935 M36x4	1
023	64.06218.00	COVER	1
024	101.12000.66	WASHER DIN125 D12	6
025	711.12000.86	NUT DIN982 M12 C8	6

## 04. CHASSIS

### CHASSIS AXLE (PART 2)

CHASSIS: 57712

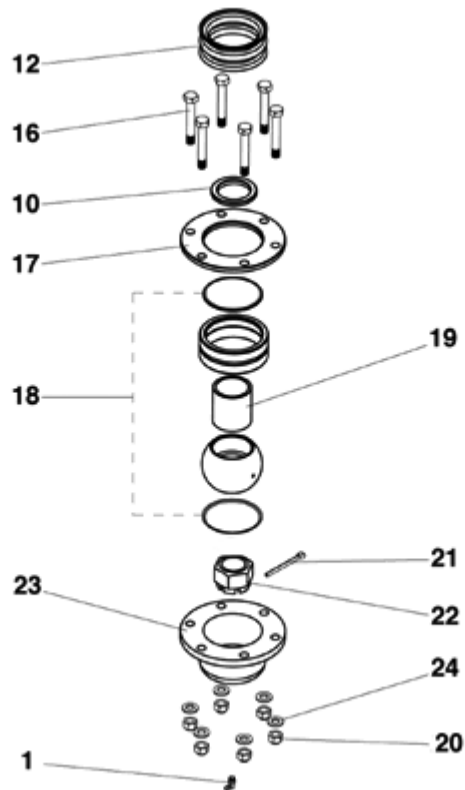


FIGURE	REFERENCE	DENOMINATION	AMOUNT
001	901.08000.33	GREASER DIN71412-A M8x1,25	5
010	64.06215.00	RING 8x51x70	2
012	64.06214.00	DUST EXCLUDER 43x103	2
016	604.12080.86	SCREW DIN931 M12x80	6
017	64.06216.00	COVER	1
018	941.60063.00	KNECK	1
019	64.06217.00	BUSHING 50x60x5	1
020	711.12000.86	NUT DIN982 M12 C8	6
021	401.06070.60	PIN DIN94 6x70	1
022	703.36000.60	NUT DIN935 M36x4	1
023	64.06218.00	COVER	1
024	101.12000.66	WASHER DIN125 D12	6

## 04. CHASSIS

### CHASSIS AXLE (PART 2)

CHASSIS: 60170

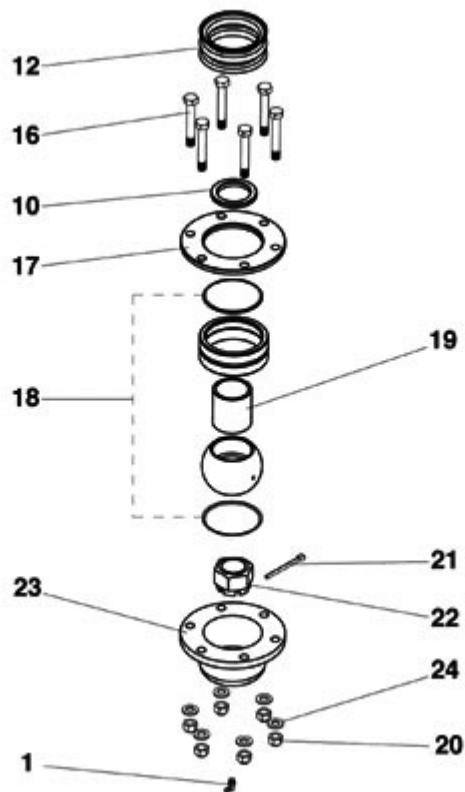


FIGURE	REFERENCE	DENOMINATION	AMOUNT
001	901.08000.33	GREASER DIN71412-A M8x1,25	5
010	64.06215.00	RING 8x51x70	2
012	64.06214.00	DUST EXCLUDER 43x103	2
016	604.12080.86	SCREW DIN931 M12x80	6
017	64.06216.00	COVER	1
018	941.60063.01	BUSHING GE60FO 2RS-2C	1
019	64.06217.00	BUSHING 50x60x5	1
020	711.12000.86	NUT DIN982 M12 C8	6
021	401.06070.60	PIN DIN94 6x70	1
022	703.36000.60	NUT DIN935 M36x4	1
023	64.06218.00	COVER	1
024	101.12000.66	WASHER DIN125 D12	6

## 05. BRAKE ACTIVATION

### FOOT BRAKE

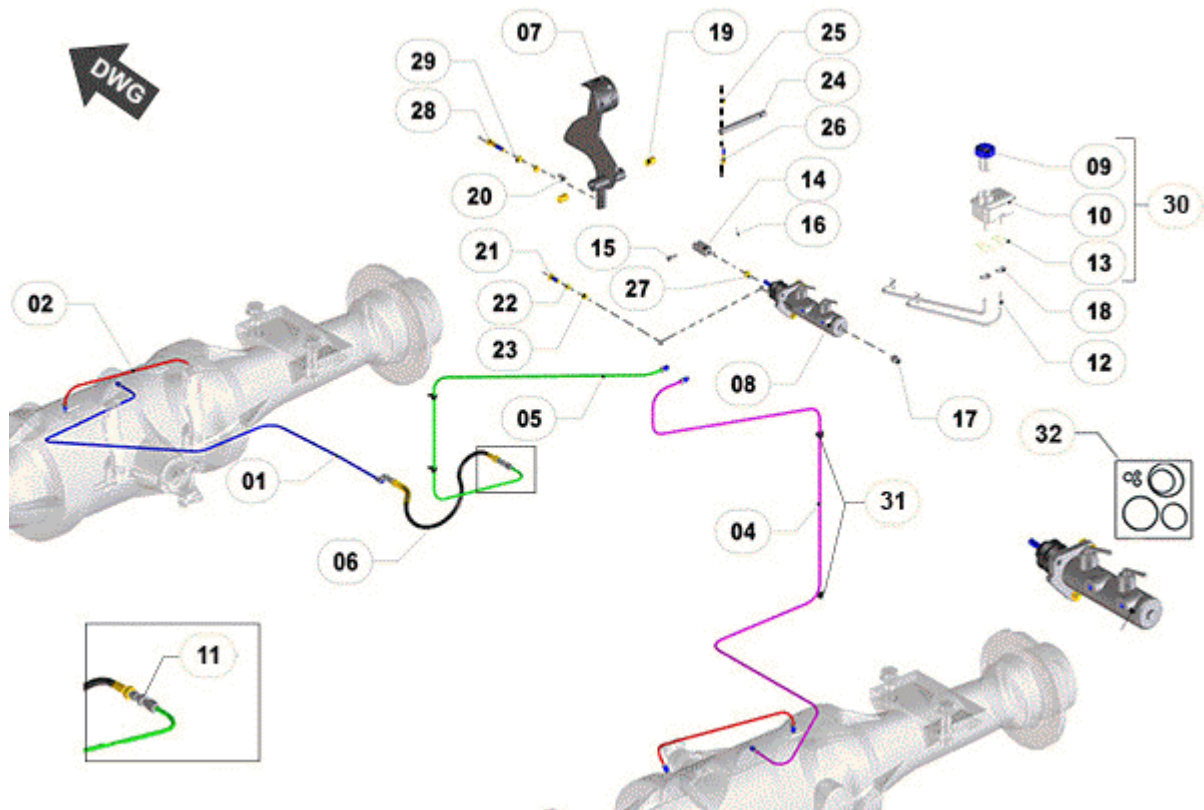


FIGURE	REFERENCE	DENOMINATION	AMOUNT
001	63.05117.00	HYDRAULIC STEEL PIPE, BUNDY 4 1046X198X160	1
002	63.05124.00	TUBE, METALLIC PH4 540x6.35x0.89	2
003	64.05129.00	RACOR H/H/H M12/M12/M12	2
004	63.05125.00	HYDRAULIC STEEL PIPE, BUNDY 4 960X570X295	1
005	63.05120.00	HYDRAULIC STEEL PIPE, BUNDY 4 600X500X315	1
006	64.05119.00	HOSE, FLEXIBLE DR7 408	1
007	64.04440.00	BRAKE PEDAL	1
008	64.05112.00	MASTER CYLINDER	1
009	46.05011.00	CAP	1
010	46.05020.00	BRAKE LIQUIDE TANK	1
011	64.05123.00	FITTING M/M	2
012	469.15009.00	PLASTIC HOSE 6X9	2
013	46.05016.00	CLIP	2
014	20.05040.00	ART. FORK	1
015	01.00514.01	AXLE CIL/CPA 14x8x28	1
016	401.02025.60	PIN DIN94 2x25	1
017	43.01521.00	SWITCH	1
018	948.01107.00	CLAMP SPRING	2
019	949.01525.00	BUSHING 15x17x25 DIN 1494	2
020	45.00139.02	DOCK 8X10X29	1



021	603.10025.86	SCREW DIN933 M10x25	3
022	104.10000.00	WASHER DIN7980 D10	3
023	701.10000.66	NUT DIN934 M10x1.5	3
024	64.04441.00	AXLE CYL/CYL	1
025	711.06000.66	NUT DIN982 M6	1
026	604.06040.86	SCREW DIN931 M6x40	1
027	701.10000.66	NUT DIN934 M10x1.5	1
028	604.10050.86	BOLT DIN931 M10x50	1
029	701.10000.66	NUT DIN934 M10x1.5	1
030	64.05110.00	BRAKES FLUID TANK	1
031	929.05000.00	TUBE GUIDE SUPPORT	4
032	64.05130.00	FOOT PUMP GASKET SET	1

## 05. BRAKE ACTIVATION

### FOOT BRAKE

CHASSIS: 63011

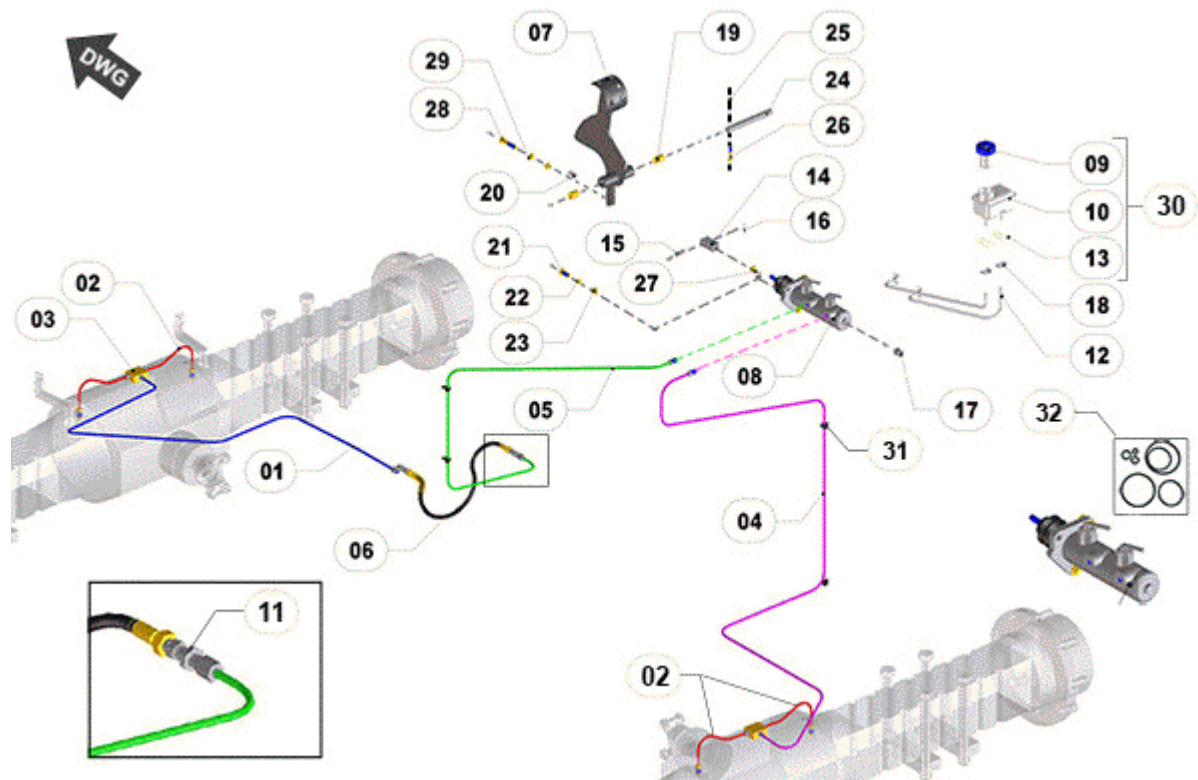


FIGURE	REFERENCE	DENOMINATION	AMOUNT
001	63.05117.01	HYDRAULIC STEEL PIPE, BUNDY 4 1046X198X160	1
002	64.05128.00	HYDRAULIC STEEL PIPE, BUNDY 4 200X100	4
003	64.05129.00	RACOR H/H/H M12/M12/M12	2
004	63.05125.01	HYDRAULIC STEEL PIPE, BUNDY 4 960X570X295	1
005	63.05120.00	HYDRAULIC STEEL PIPE, BUNDY 4 600X500X315	1
006	64.05119.00	HOSE, FLEXIBLE DR7 408	1
007	64.04440.02	BRAKE PEDAL 70X90	1
008	64.05112.00	MASTER CYLINDER	1
009	46.05011.00	CAP	1
010	46.05020.00	BRAKE LIQUIDE TANK	1
011	64.05123.00	FITTING M/M	2
012	469.15009.00	PLASTIC HOSE 6X9	2
013	46.05016.00	CLIP	2
014	20.05040.00	ART. FORK	1
015	01.00514.01	AXLE CIL/CPA 14x8x28	1
016	401.02025.60	PIN DIN94 2x25	1
017	43.01521.00	SWITCH	1
018	948.01107.00	CLAMP SPRING	2
019	949.01525.00	BUSHING 15x17x25 DIN 1494	2
020	45.00139.02	DOCK 8X10X29	1

021	603.10025.86	SCREW DIN933 M10x25	3
022	104.10000.00	WASHER DIN7980 D10	3
023	701.10000.66	NUT DIN934 M10x1.5	3
024	64.04441.00	AXLE CYL/CYL	1
025	711.06000.66	NUT DIN982 M6	1
026	604.06040.86	SCREW DIN931 M6x40	1
027	701.10000.66	NUT DIN934 M10x1.5	1
028	604.10050.86	BOLT DIN931 M10x50	1
029	701.10000.66	NUT DIN934 M10x1.5	1
030	64.05110.00	BRAKES FLUID TANK	1
031	929.05000.00	TUBE GUIDE SUPPORT	4
032	64.05130.00	FOOT PUMP GASKET SET	1

**COMMENTS**

---

MOD.3490 Sustitución transmisión NEWAGE por DANA

## 05. BRAKE ACTIVATION HANDBRAKE

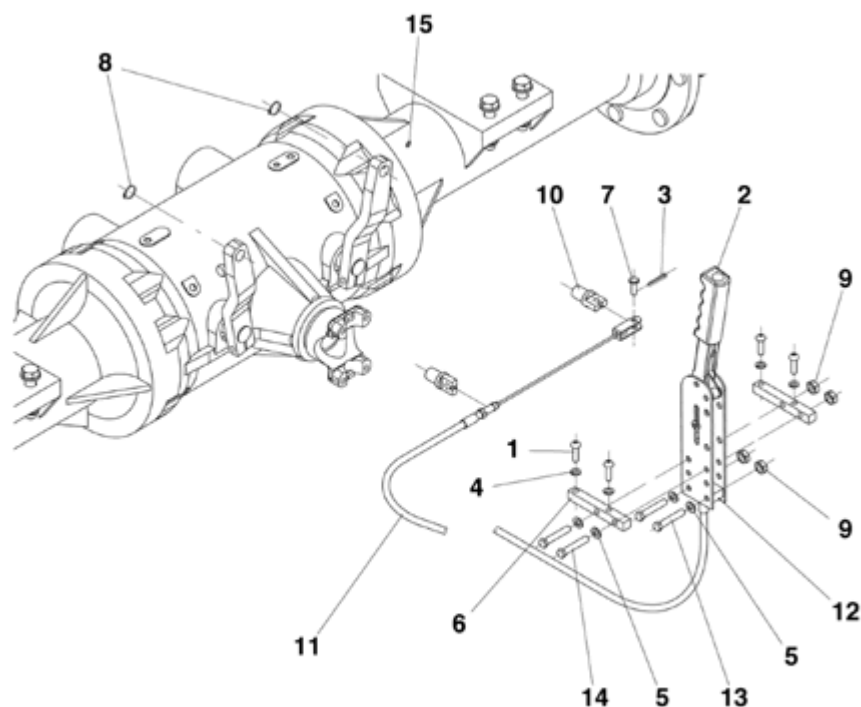


FIGURE	REFERENCE	DENOMINATION	AMOUNT
001	630.08020.96	SCREW ISO7380	4
002	43.00755.01	CONTROL LEVER	1
003	401.02025.60	PIN DIN94 2x25	1
004	104.08000.00	WASHER DIN7980 D8	4
005	101.08000.66	WASHER DIN125 D8	5
006	02.50551.00	FRAME MAT. 15X15X117 BRAKE	2
007	01.00514.02	AXLE CIL/CPA	1
008	904.19000.00	RING DIN471 E19	2
009	711.08000.66	NUT DIN982 M8	4
010	64.05115.00	AXLE	2
011	63.05113.00	BRAKE CABLE 3.5X3695	1
012	43.00755.12	STRIP SUPPORT	1
013	604.08045.86	SCREW DIN931 M8x45	2
014	604.08070.86	SCREW DIN931	2
015	901.06000.33	GREASER DIN71412-A	2

## 05. BRAKE ACTIVATION

### HANDBRAKE

CHASSIS: 57482

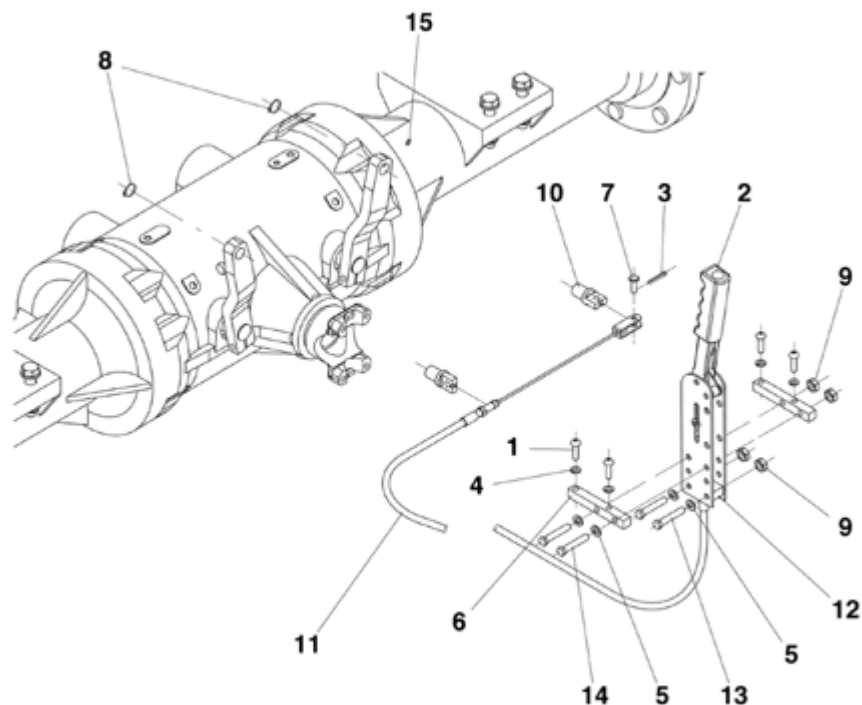


FIGURE	REFERENCE	DENOMINATION	AMOUNT
001	630.08020.96	SCREW ISO7380	4
002	43.00755.01	CONTROL LEVER	1
003	401.02025.60	PIN DIN94 2x25	1
004	104.08000.00	WASHER DIN7980 D8	4
005	101.08000.66	WASHER DIN125 D8	5
006	02.50551.00	FRAME MAT. 15X15X117 BRAKE	2
007	01.00514.02	AXLE CIL/CPA	1
008	904.19000.00	RING DIN471 E19	2
009	711.08000.66	NUT DIN982 M8	4
010	64.05115.00	AXLE	2
010	64.05115.02	SHAFT 19X25X53	2
011	63.05113.01	BRAKE CORD 4x3660 DANA	1
012	43.00755.13	SUPPORT 15x23x64	1
013	604.08045.86	SCREW DIN931 M8x45	2
014	604.08070.86	SCREW DIN931	2
015	901.06000.33	GREASER DIN71412-A	2

## 05. BRAKE ACTIVATION

### HANDBRAKE

CHASSIS: 63011

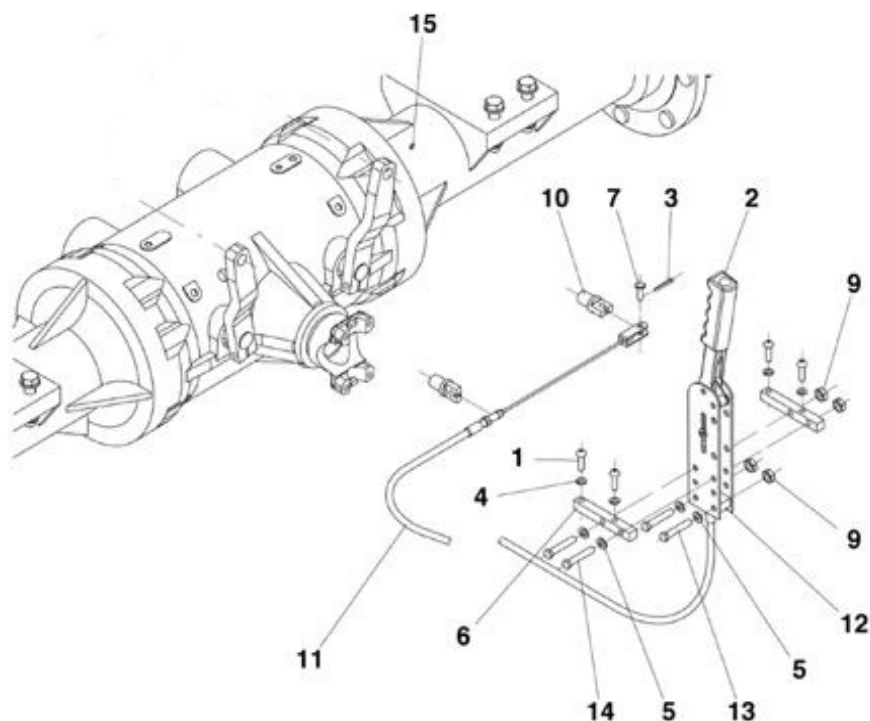


FIGURE	REFERENCE	DENOMINATION	AMOUNT
001	630.08020.96	SCREW ISO7380	4
002	43.00755.01	CONTROL LEVER	1
003	401.02025.60	PIN DIN94 2x25	1
004	104.08000.00	WASHER DIN7980 D8	4
005	101.08000.66	WASHER DIN125 D8	5
006	02.50551.00	FRAME MAT. 15X15X117 BRAKE	2
007	01.00514.02	AXLE CIL/CPA	1
009	711.08000.66	NUT DIN982 M8	4
010	64.05129.00	RACOR H/H/H M12/M12/M12	2
011	64.05113.02	BRAKE CABLE, DANA 4x3850	1
012	43.00755.13	SUPPORT 15x23x64	1
013	604.08045.86	SCREW DIN931 M8x45	2
014	604.08070.86	SCREW DIN931	2
015	901.06000.33	GREASER DIN71412-A	2

## 05. BRAKE ACTIVATION

### HANDBRAKE

CHASSIS: 63087

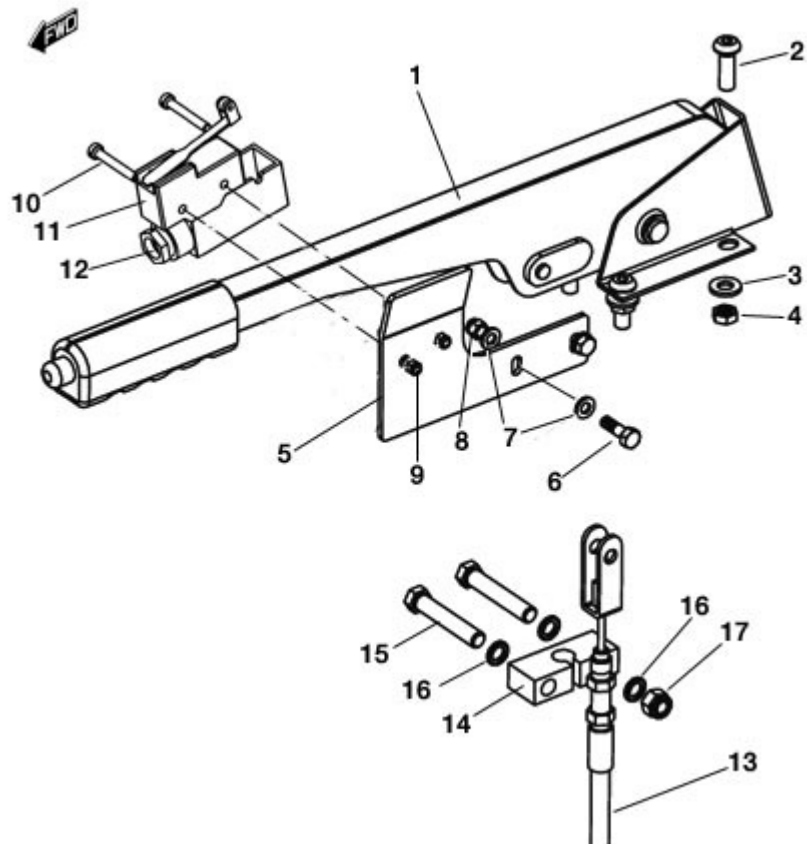


FIGURE	REFERENCE	DENOMINATION	AMOUNT
001	63.05201.00	LEVER, HANDBRAKE	1
002	630.08025.96	SCREW ISO7380	4
003	101.08000.66	WASHER DIN125 D8	4
004	701.08000.66	NUT DIN934 M8X1,25	4
005	64.05131.00	SUPPORT 140x3	1
006	603.06020.86	SCREW DIN933 M6x20	2
007	101.06000.66	WASHER DIN125 D6	4
008	711.06000.66	NUT DIN982 M6	2
009	711.04000.66	NUT	2
010	604.08050.86	SCREW DIN931	2
011	60.00782.00	SWITCH	1
012	60.00783.00	OMRON PROTECCION MICRO APB-PG	1
013	65.05211.02	BRAKE CABLE 4x3250	1
014	43.00755.13	SUPPORT 15x23x64	1
015	604.08050.86	SCREW DIN931	2
016	101.08000.66	WASHER DIN125 D8	2
017	711.08000.66	NUT DIN982 M8	2

## 05. BRAKE ACTIVATION

### HANDBRAKE

CHASSIS: 68354

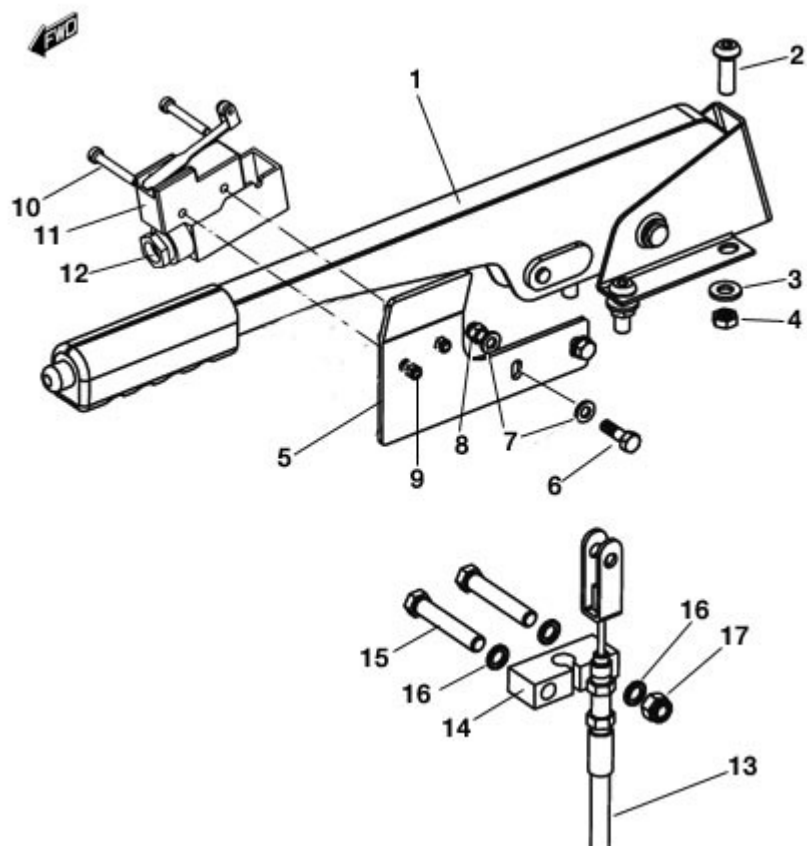


FIGURE	REFERENCE	DENOMINATION	AMOUNT
001	63.05201.00	LEVER, HANDBRAKE	1
002	630.08025.96	SCREW ISO7380	4
003	101.08000.66	WASHER DIN125 D8	4
004	701.08000.66	NUT DIN934 M8X1,25	4
005	64.05131.00	SUPPORT 140x3	1
006	603.06020.86	SCREW DIN933 M6x20	2
007	101.06000.66	WASHER DIN125 D6	4
008	711.06000.66	NUT DIN982 M6	2
009	711.04000.66	NUT	2
010	604.08050.86	SCREW DIN931	2
011	60.00782.01	SWITCH	1
012	60.00783.00	OMRON PROTECCION MICRO APB-PG	1
013	65.05211.02	BRAKE CABLE 4x3250	1
014	43.00755.13	SUPPORT 15x23x64	1
015	604.08050.86	SCREW DIN931	2
016	101.08000.66	WASHER DIN125 D8	2
017	711.08000.66	NUT DIN982 M8	2



## 05. BRAKE ACTIVATION

### HANDBRAKE

CHASSIS: 72728

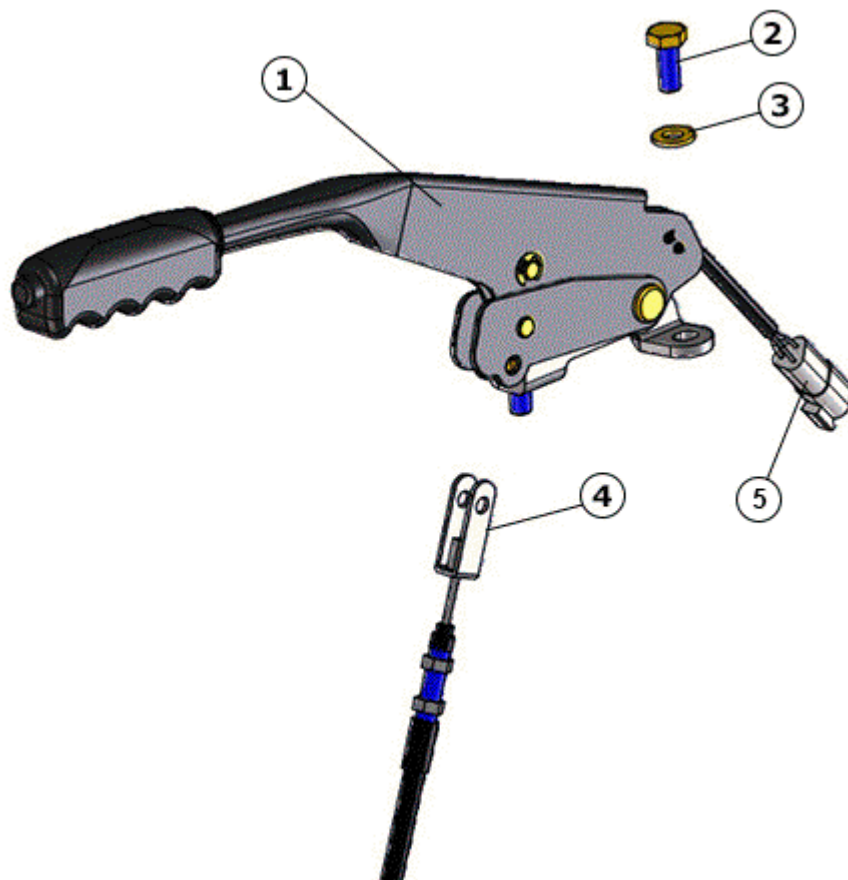


FIGURE	REFERENCE	DENOMINATION	AMOUNT
001	63.05010.01	BRAKE LEVER ACTUATION	1
002	630.10030.96	SCREW ISO7380 M10x30	2
003	101.08000.66	WASHER DIN125 D8	2
004	64.05113.02	BRAKE CABLE, DANA 4x3850	1
005	65.05223.00	HAND BRAKE SENSOR	1

## 06. STEERING

### DRIVE PINION

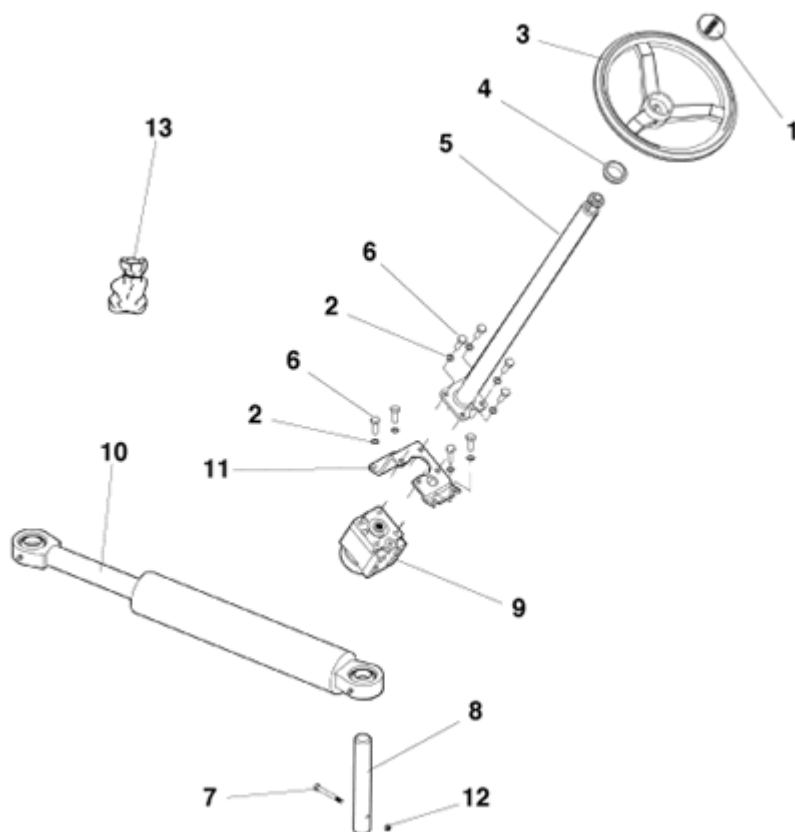


FIGURE	REFERENCE	DENOMINATION	AMOUNT
001	00.00626.03	TRIM	1
002	104.10000.00	WASHER DIN7980 D10	8
003	15.01016.01	STEERING WHEEL D21-315 WITH POMMEL	1
004	15.20727.00	NYLON BEARING 16x38x52	1
005	55.10680.00	STEERING COLUMM	1
006	603.10030.86	SCREW DIN933	8
007	604.08070.86	SCREW DIN931	1
008	64.06110.00	AXLE	1
009	64.06111.00	HYDROSTATIC STEERING	1
010	63.06112.00	CYLINDER 75X1007	1
011	64.06116.00	STEERING SUPPORT	1
012	711.08000.66	NUT DIN982 M8	1
013	64.06112.10	STEERING CYLINDER JOINTS KIT	1

## 06. STEERING

### DRIVE PINION

CHASSIS: 50367

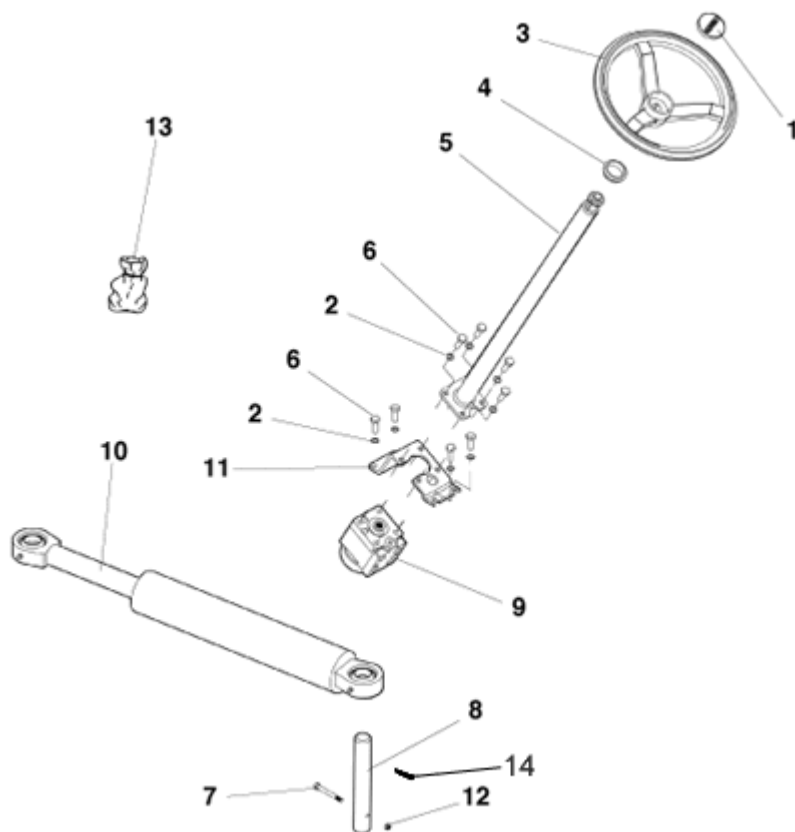


FIGURE	REFERENCE	DENOMINATION	AMOUNT
001	00.00626.03	TRIM	1
002	104.10000.00	WASHER DIN7980 D10	8
003	15.01016.01	STEERING WHEEL D21-315 WITH POMMEL	1
004	15.20727.00	NYLON BEARING 16x38x52	1
005	55.10680.00	STEERING COLUMM	1
006	603.10030.86	SCREW DIN933	8
007	604.08070.86	SCREW DIN931	1
008	64.06110.00	AXLE	1
009	64.06111.00	HYDROSTATIC STEERING	1
010	63.06112.00	CYLINDER 75X1007	1
011	64.06116.00	STEERING SUPPORT	1
012	711.08000.66	NUT DIN982 M8	1
013	63.06112.10	STEERING CYLINDER JOINTS KIT	1
014	402.08055.00	ROLL PIN DIN1481	1

## 06. STEERING

### DRIVE PINION

CHASSIS: 63414

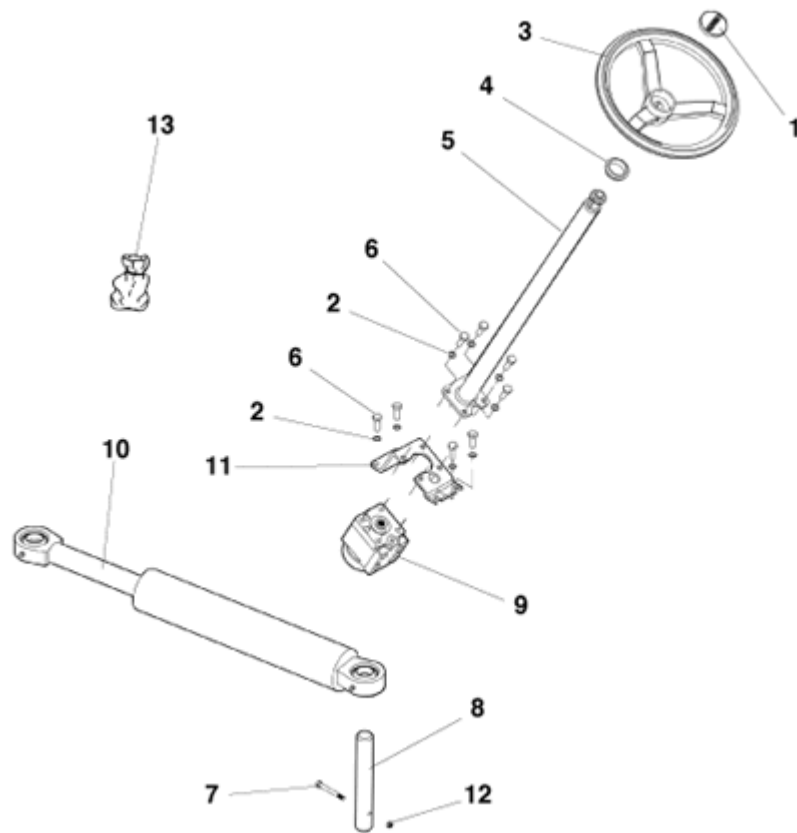


FIGURE	REFERENCE	DENOMINATION	AMOUNT
001	00.00626.05	TRIM	1
002	104.10000.00	WASHER DIN7980 D10	8
003	15.01016.01	STEERING WHEEL D21-315 WITH POMMEL	1
004	15.20727.00	NYLON BEARING 16x38x52	1
005	55.10680.00	STEERING COLUMM	1
006	603.10030.86	SCREW DIN933	8
007	604.08070.86	SCREW DIN931	1
008	64.06110.00	AXLE	1
009	64.06111.00	HYDROSTATIC STEERING	1
010	63.06112.00	CYLINDER 75X1007	1
011	64.06116.00	STEERING SUPPORT	1
012	711.08000.66	NUT DIN982 M8	1
013	63.06112.10	STEERING CYLINDER JOINTS KIT	1
014	402.08055.00	ROLL PIN DIN1481	1

## 07. WHEELS

### WHEELS

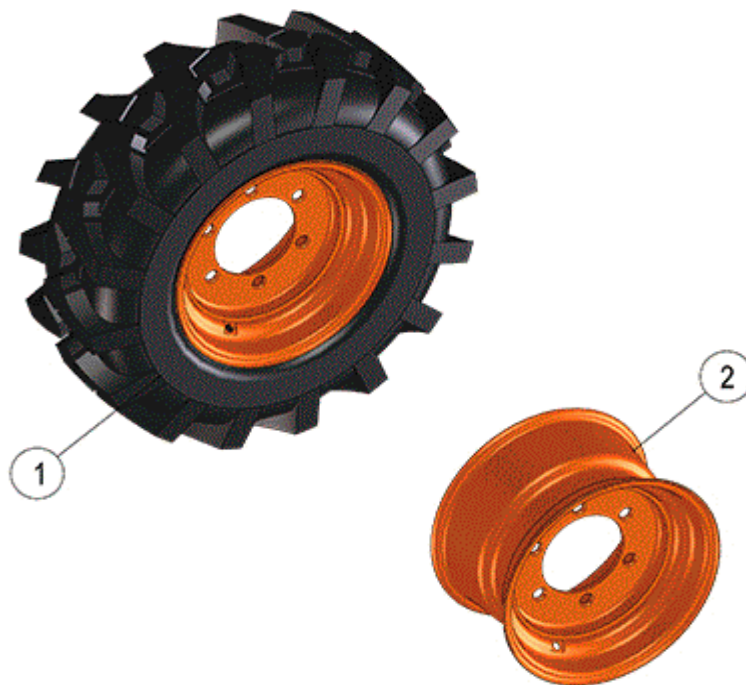


FIGURE	REFERENCE	DENOMINATION	AMOUNT
000	70.07023.00	TUBELESS VALVE TR415	2
001	63.07100DE00	MOUNTED WHEEL TT 500/60-22.5	2
001	63.07100IZ00	MOUNTED WHEEL TT 500/60-22.5	2
002	63.07102.00	RIM 16.00DC OFFSET -50	2

## 07. WHEELS

### WHEELS

CHASSIS: 63011



FIGURE	REFERENCE	DENOMINATION	AMOUNT
000	70.07023.00	TUBELESS VALVE TR415	1
001	63.07100DE01	MOUNTED WHEEL TT 500/60-22.5	2
001	63.07100IZ01	MOUNTED WHEEL TT 500/60-22.5	2
002	63.07103.00	RIM 16.00X22.5 OFFSET 0	4

## 08. BODYWORK

### SHEETS (1)

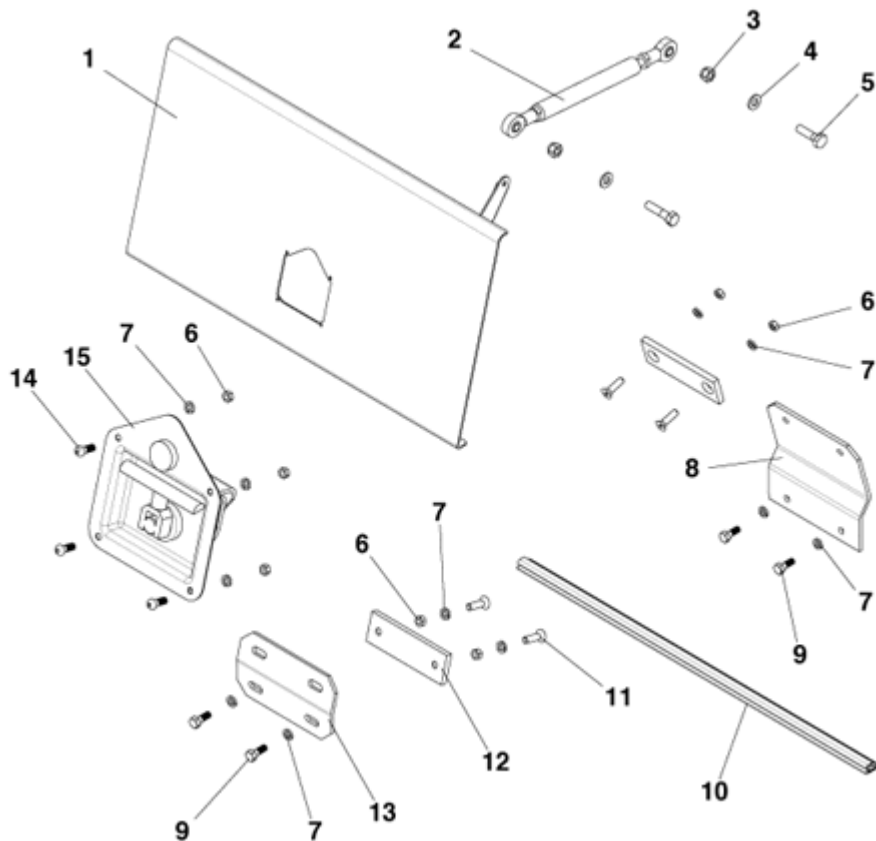


FIGURE	REFERENCE	DENOMINATION	AMOUNT
001	63.08113.00	COVER 748X442X87	2
002	64.08117.00	SHOCK ABSORBER, HYDR. 9x231.5	2
003	711.08000.66	NUT DIN982 M8	4
004	101.08000.66	WASHER DIN125 D8	4
005	604.08035.86	SCREW DIN931	4
006	701.05000.66	NUT DIN934 M5x0.8	12
007	104.05000.00	WASHER DIN7980 D5	16
008	63.04426.00	STRIP 100X99X17	1
009	603.05015.86	SCREW DIN933	4
010	472.00410.00	RUBBER PROFILE 22X22	2
011	615.05015.86	SCREW DIN84 M5X18	4
012	63.08213.00	PROFILE 80X25X5	2
013	64.02151.00	STRIP 100X55X10	1
014	630.05015.96	SCREW ISO7380 M5x15	8
015	64.08119.00	CLOSING WITH KEY	2

## 08. BODYWORK SHEETS (2)

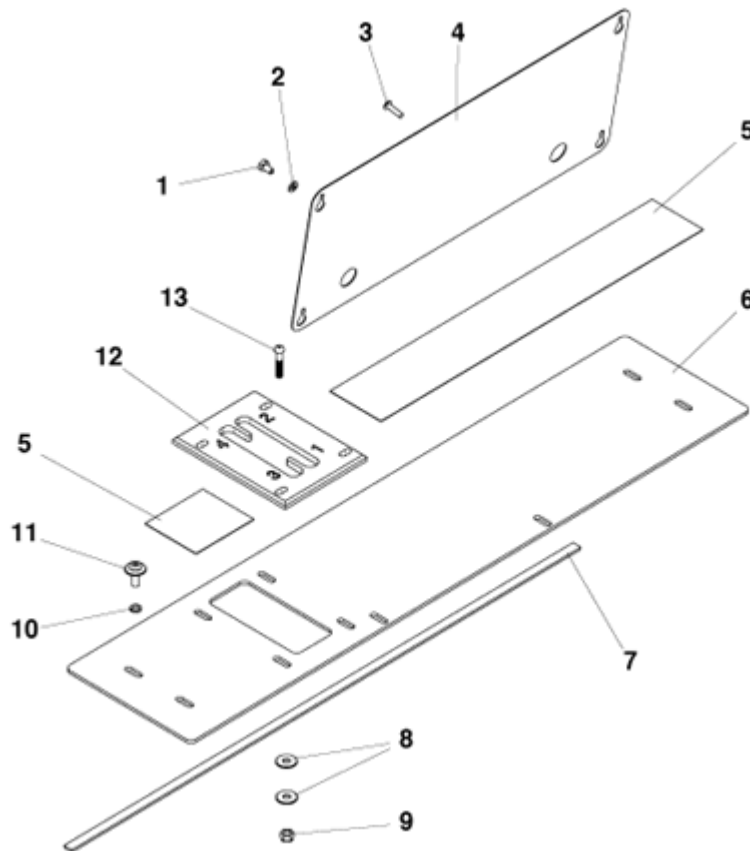


FIGURE	REFERENCE	DENOMINATION	AMOUNT
001	603.06010.86	SCREW DIN933 M6x10	4
002	104.06000.00	WASHER DIN7980 D6	4
003	504.03012.60	RIVET.	4
004	65.08118.01	COVER 620X270X1.5	1
005	476.00100.00	PLATE WEARING	1
006	63.08120.00	COVER 1095X247X5	1
007	472.04015.00	RUBBER PROFILE MAT.	1
008	112.08000.66	WASHER DIN9021 D8	8
009	711.08000.66	NUT DIN982 M8	4
010	104.08000.00	WASHER DIN7980 D8	6
011	630.08025.96	SCREW ISO7380	6
012	63.08115.00	STRIP 220X160X5	1
013	630.08045.96	BOLT ISO7380 M8x45	4



## 08. BODYWORK

### SHEETS (2)

CHASSIS: 70605

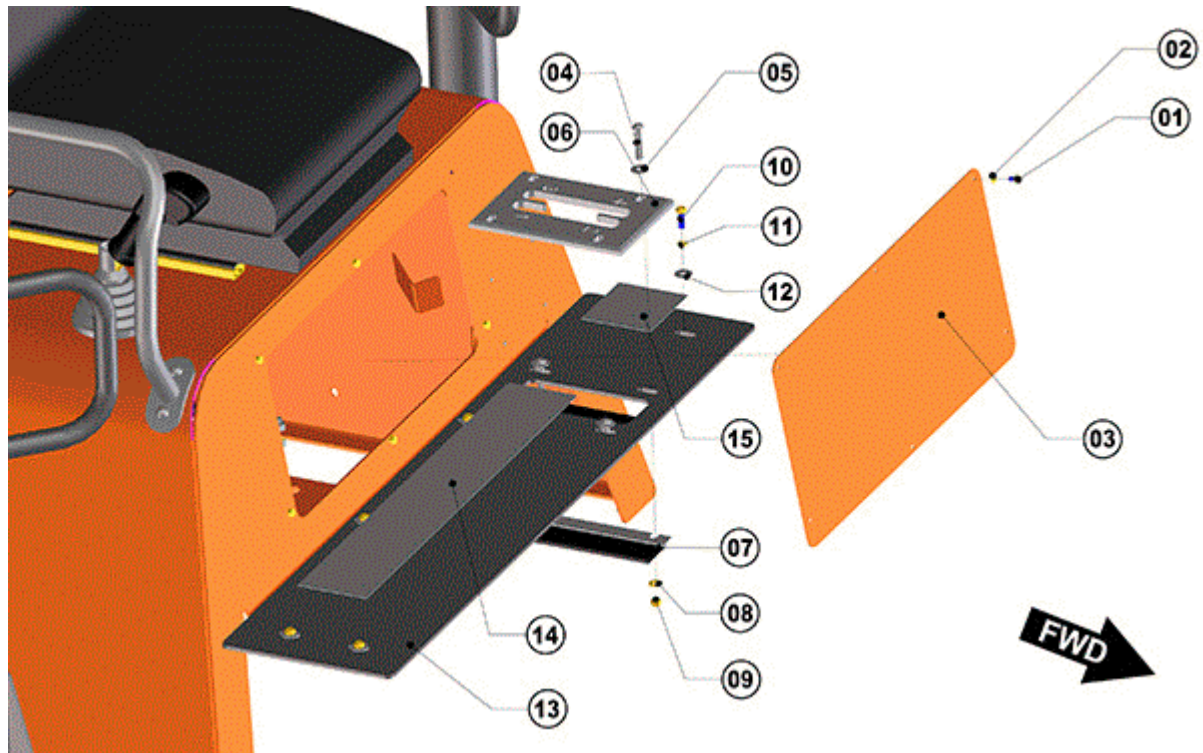


FIGURE	REFERENCE	DENOMINATION	AMOUNT
001	603.06010.86	SCREW DIN933 M6x10	6
002	104.06000.00	WASHER DIN7980 D6	6
003	65.08125.00	COVER 620X270X1.5 mm	1
004	630.08045.96	BOLT ISO7380 M8x45	4
005	112.08000.66	WASHER DIN9021 D8	4
006	63.08115.00	STRIP 220X160X5	1
007	63.08235.00	COVER	2
008	112.08000.66	WASHER DIN9021 D8	4
009	711.08000.66	NUT DIN982 M8	4
010	630.08025.96	SCREW ISO7380	6
011	104.08000.00	WASHER DIN7980 D8	6
012	112.08000.66	WASHER DIN9021 D8	6
013	63.08120.00	COVER 1095X247X5	1
014	476.00100.00	PLATE WEARING	1
015	476.00100.00	PLATE WEARING	1

#### COMMENTS

MOD.4310

## 08. BODYWORK SHEETS (3)

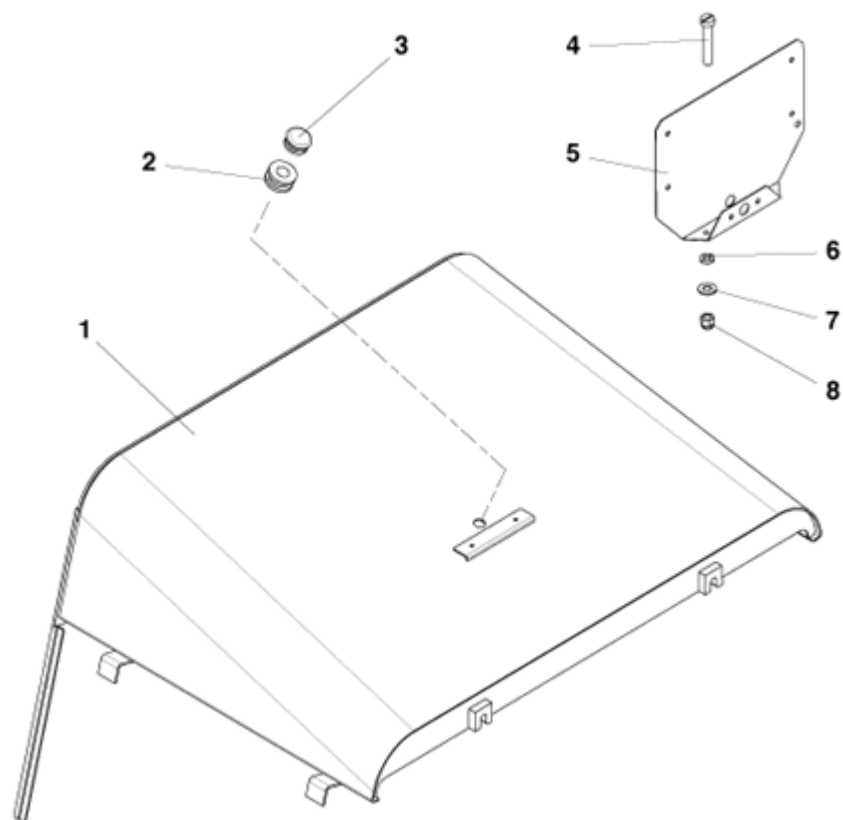


FIGURE	REFERENCE	DENOMINATION	AMOUNT
001	63.08112.00	TAPA SOP. 1075x748x273	1
002	16.00760.00	BUSH	1
003	02.32022.00	CAP	1
004	615.05030.66	SCREW DIN84	2
005	46.10754.00	PIN SUPPORT 25x195x250	1
006	104.05000.00	WASHER DIN7980 D5	2
007	101.05000.66	WASHER DIN125 D5	2
008	711.05000.66	NUT DIN982 M5	2

## 08. BODYWORK

### SHEETS (4)

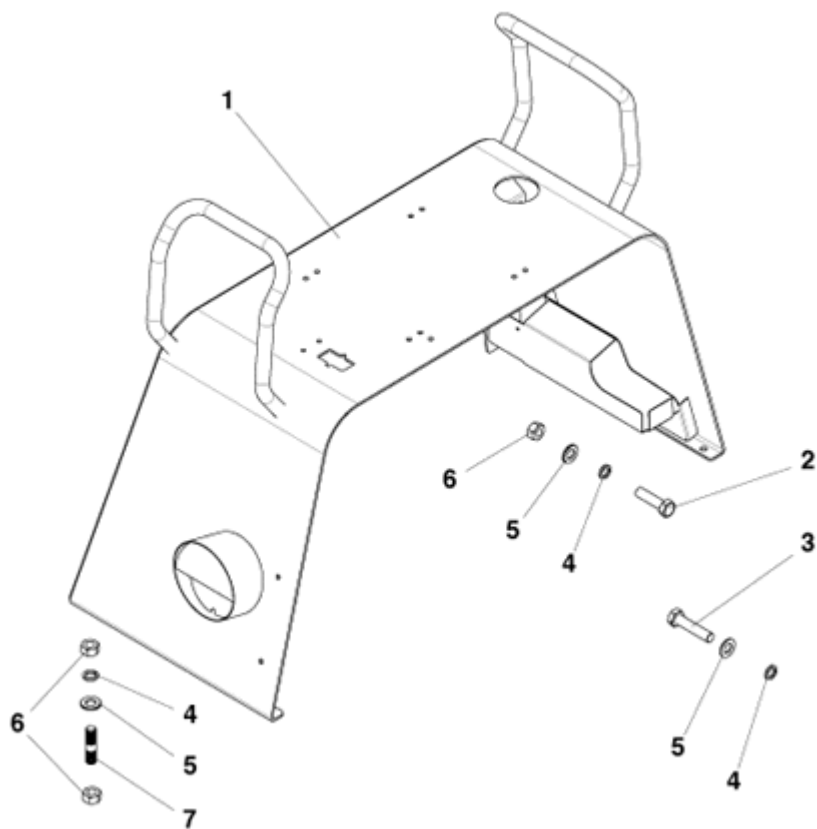


FIGURE	REFERENCE	DENOMINATION	AMOUNT
001	63.08111.00	PROTECTOR 1272X986X575	1
002	603.12045.86	SCREW DIN933	2
003	603.12055.86	BOLT DIN933 M12x55	4
004	104.12000.00	WASHER DIN7980 D12	8
005	101.12000.66	WASHER DIN125 D12	8
006	701.12000.66	NUT DIN934 M12x1.75	10
007	15.00357.00	STUD DIN939 M12x1,75	4

## 08. BODYWORK

### CAB AND PROTECTORS (1)

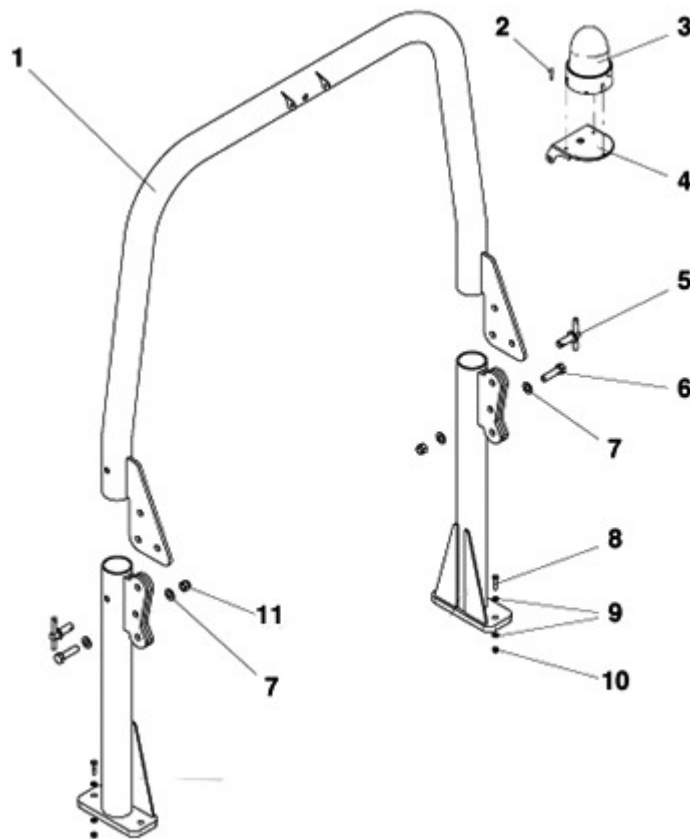


FIGURE	REFERENCE	DENOMINATION	AMOUNT
001	63.08123.00	PROTECTOR ARC KIT	1
002	601.06020.86	SCREW DIN912	3
003	01.00921.00	BEACON	1
004	70.08106.00	SUPPORT 170x150x2	1
005	70.08104.00	PIN WITH CHAIN	2
006	604.18070.86	SCREW DIN931	2
007	101.18000.66	BEARING DIN125 D18	4
008	604.16065.86	BOLT DIN931 M16x65	4
009	101.16000.66	WASHER DIN125 D16	8
010	711.16000.66	NUT DIN982 M16 8.8 K	4
011	63.08121.00	PROTECTOR ARC	1
012	63.08122.00	PROTECTOR ARC	1
013	718.18000.66	NUT	2

## 08. BODYWORK

### CAB AND PROTECTORS (1)

CHASSIS: 60965

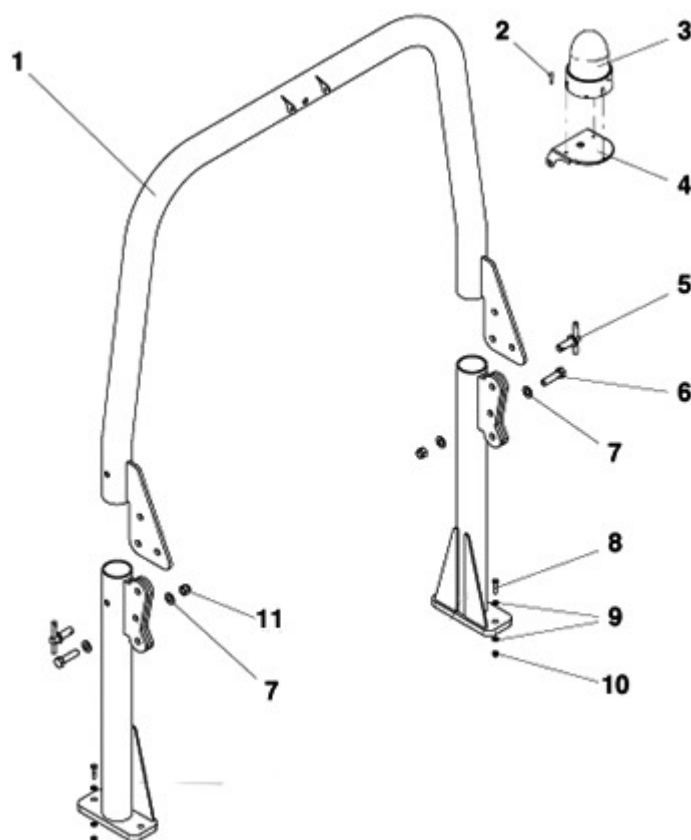


FIGURE	REFERENCE	DENOMINATION	AMOUNT
001	63.08118.00	FOLDING PROTECTOR ARCH	1
002	601.06020.86	SCREW DIN912	3
003	01.00921.02	ROTATING LIGHT BRITAX	1
004	70.08106.01	PIN SUPPORT 170X150X2	1
005	70.08104.00	PIN WITH CHAIN	2
006	604.18070.86	SCREW DIN931	2
007	101.18000.66	BEARING DIN125 D18	4
008	604.16065.86	BOLT DIN931 M16x65	4
009	101.16000.66	WASHER DIN125 D16	8
010	711.16000.66	NUT DIN982 M16 8.8 K	4
011	718.18000.66	NUT	2

## 08. BODYWORK

### CAB AND PROTECTORS (2)

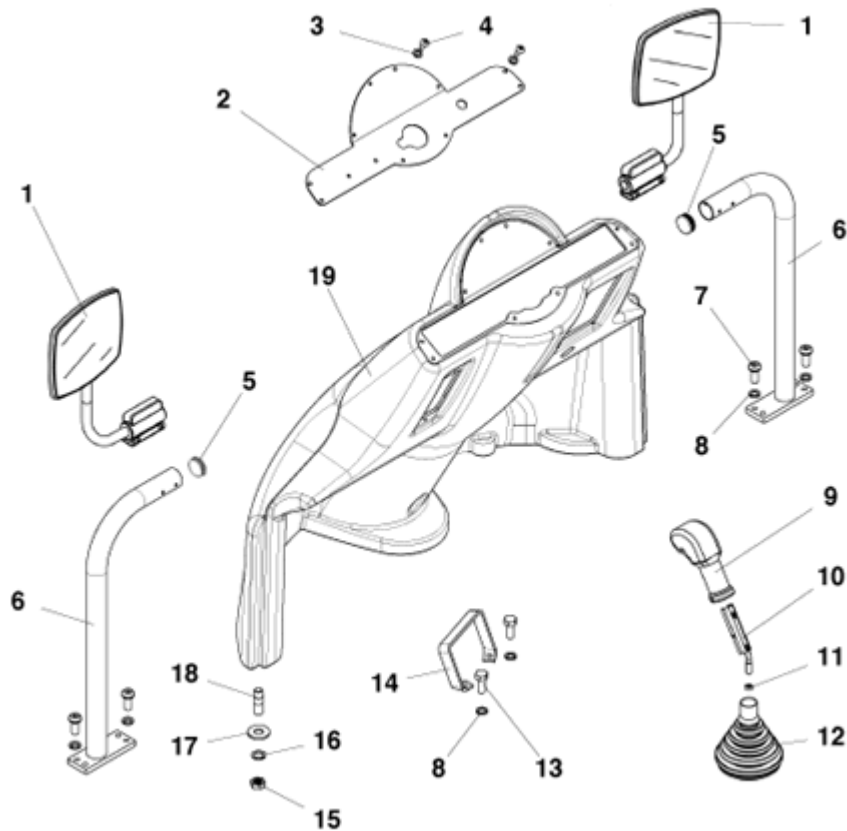


FIGURE	REFERENCE	DENOMINATION	AMOUNT
001	09.11009.00	REARVIEW MIRROR COMPLETE ASSY	2
002	70.11010.00	SUPPORT 503x184x2	1
003	101.05000.66	WASHER DIN125 D5	8
004	630.05010.96	SCREW ISO7380	8
005	02.32035.00	CAP	2
006	64.04412.00	TUBE, METALLIC	2
007	630.08020.96	SCREW ISO7380	8
008	104.08000.00	WASHER DIN7980 D8	10
009	70.11316.00	JOYSTICK	1
010	10.13154.02	AXIS CIL/ROS 180XD25XM10	1
011	711.10000.66	SHOCK ABSORBER	1
012	43.50349.00	DUST PROTECTOR	1
013	603.08020.86	SCREW DIN933 M8x20	2
014	70.08039.00	SUPPORT	1
015	701.10000.66	NUT DIN934 M10x1.5	8
016	01.00837.00	CIR-CLIP INT. DIN9021*	8
017	104.10000.00	WASHER DIN7980 D10	8
018	15.00435.01	STUD DIN938 33 M10x1.5	8

## 08. BODYWORK

### CAB AND PROTECTORS (2)

FIGURE	REFERENCE	DENOMINATION	AMOUNT
019	70.08009.02	STEERING SUPPORT PROTECTOR	1

## 08. BODYWORK COUNTERWEIGHT

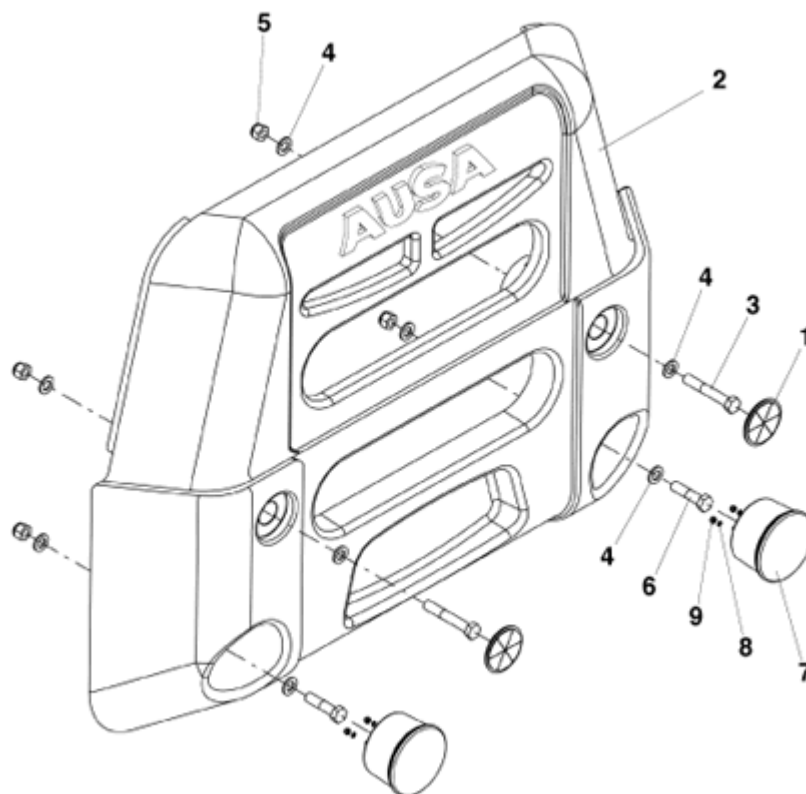


FIGURE	REFERENCE	DENOMINATION	AMOUNT
001	10.11017.00	RED REFLECTOR	2
002	63.08110.00	COUNTERWEIGHT 345	1
003	604.16100.86	SCREW DIN931	2
004	101.16000.66	WASHER DIN125 D16	8
005	711.16000.66	NUT DIN982 M16 8.8 K	4
006	604.16065.86	BOLT DIN931 M16x65	2
007	10.14211.00	POSITION-INTERMITTENCE-BRAKING WORKING LIGHTS	2
008	101.06000.66	WASHER DIN125 D6	6
009	711.06000.66	NUT DIN982 M6	6



## 08. BODYWORK SEAT

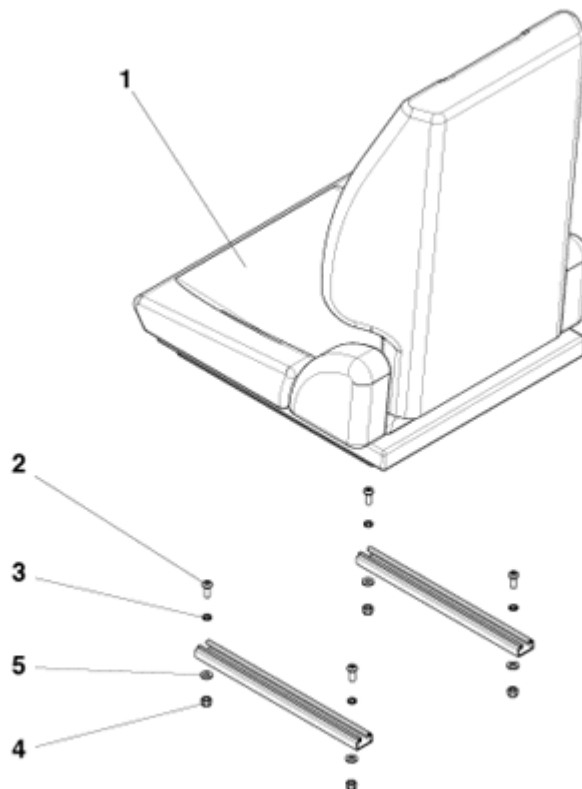


FIGURE	REFERENCE	DENOMINATION	AMOUNT
001	64.08130.00	DRIVER SEAT	1
002	630.08020.96	SCREW ISO7380	4
003	104.08000.00	WASHER DIN7980 D8	4
004	711.08000.66	NUT DIN982 M8	4
005	101.08000.66	WASHER DIN125 D8	4

## 08. BODYWORK

### SEAT

CHASSIS: 62936

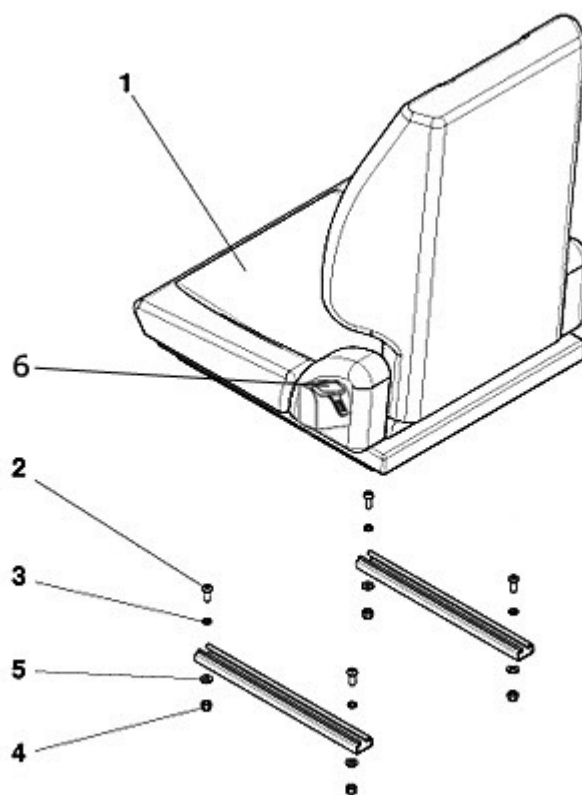


FIGURE	REFERENCE	DENOMINATION	AMOUNT
001	64.08130.01	DRIVER SEAT	1
002	630.08020.96	SCREW ISO7380	4
003	104.08000.00	WASHER DIN7980 D8	4
004	711.08000.66	NUT DIN982 M8	4
005	101.08000.66	WASHER DIN125 D8	4
006	64.08130.91	SEAT BELT	1

## 09. MACHINE FUNCTIONS IMPLEMENTS OVERTURNING SYSTEM

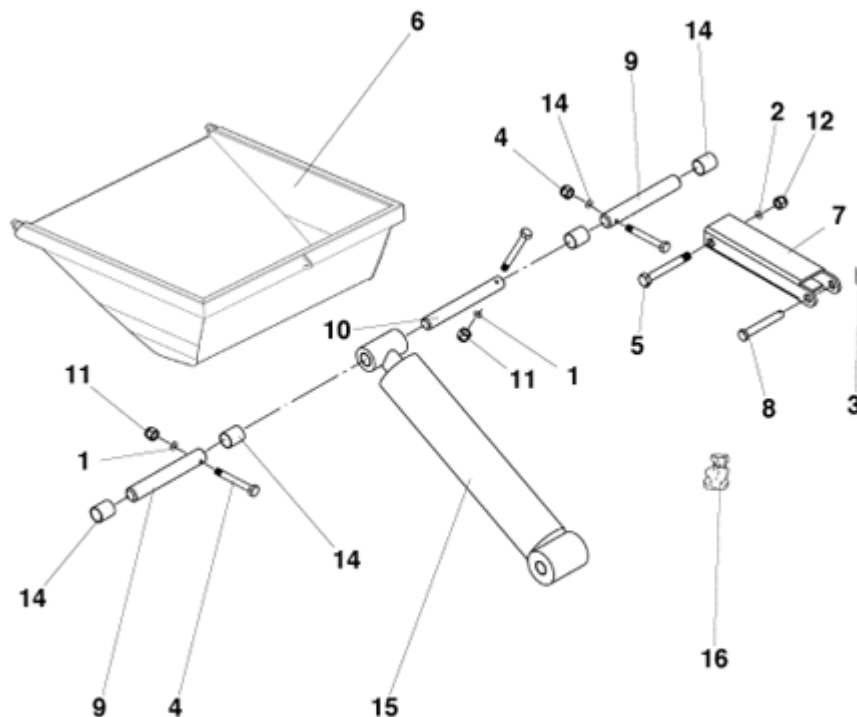


FIGURE	REFERENCE	DENOMINATION	AMOUNT
001	101.08000.66	WASHER DIN125 D8	4
002	102.20000.66	WASHER DIN6797 D20	1
003	15.00836.00	PIN DIN11024 R4	1
004	603.08075.86	SCREW DIN933	4
005	604.20160.86	SCREW DIN931 M20x160	1
006	63.09100.00	SKIP 900AP 2440L.	1
007	64.09111.00	MAT.TUBE	1
008	64.09113.00	PIN	1
009	64.09114.00	AXLE	2
010	63.09115.00	CYL/CYL AXLE 35X335	2
011	711.08000.66	NUT DIN982 M8	4
012	711.20000.66	NUT	1
013	901.08000.33	GREASER DIN71412-A M8x1,25	2
014	949.04050.00	PLAIN BEARING 40X44X50 DIN 1494	6
015	63.09112.00	CYLINDER D/E 140X465	1

## 10. HYDRAULIC INSTALLATION POMPE

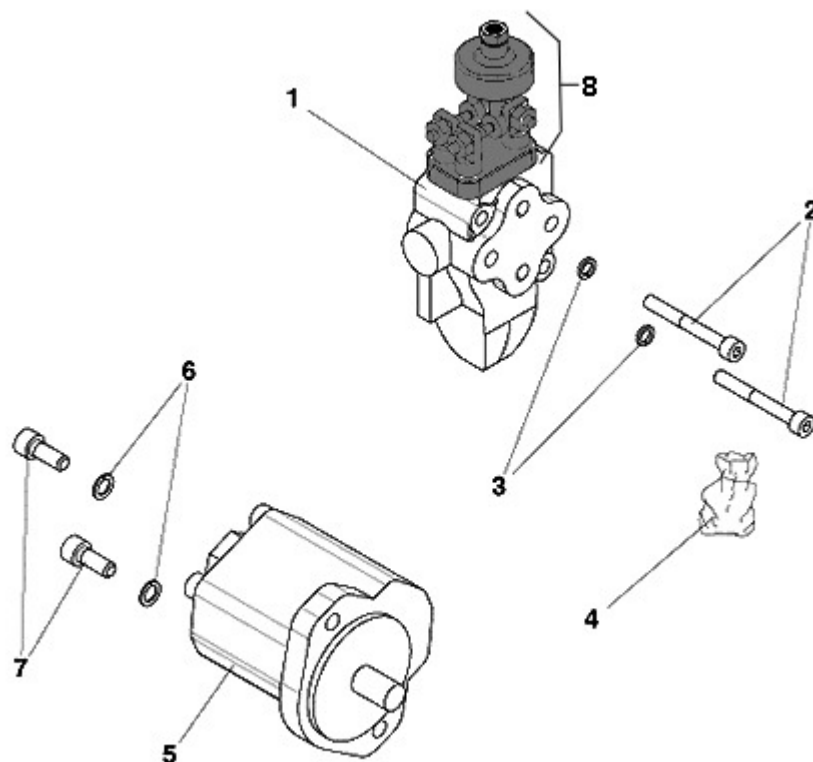


FIGURE	REFERENCE	DENOMINATION	AMOUNT
005	64.10111.02	HYDRAULIC PUMP	1
006	104.10000.00	WASHER DIN7980 D10	2
007	633.10025.86	SCREW DIN912	2

## 10. HYDRAULIC INSTALLATION DISTRIBUTOR

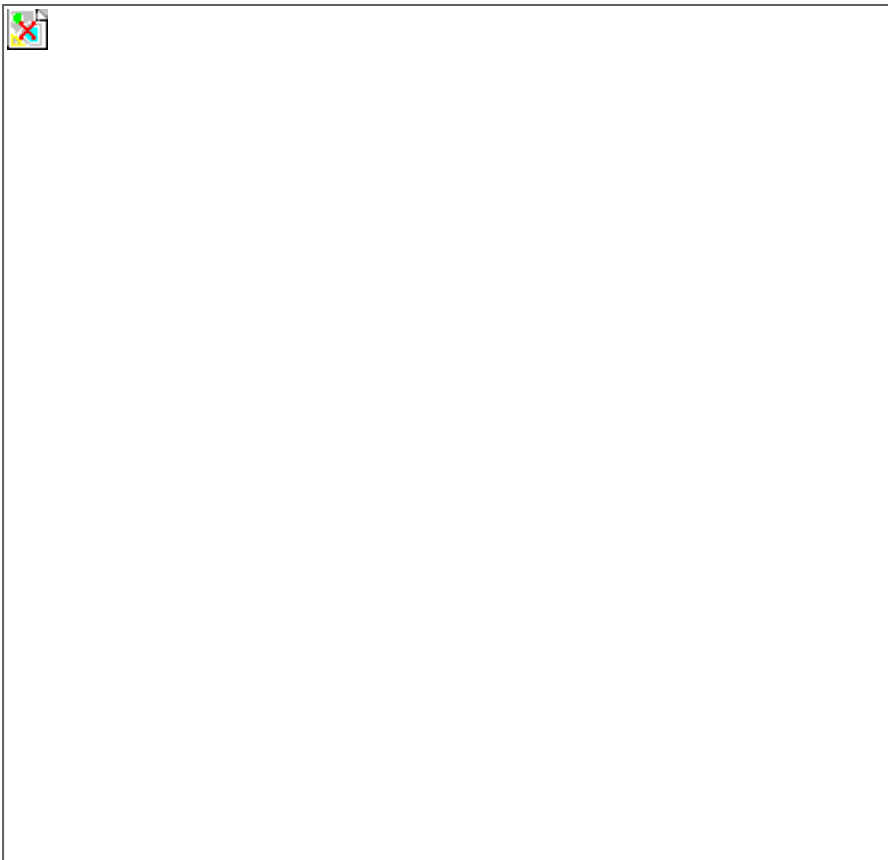


FIGURE	REFERENCE	DENOMINATION	AMOUNT
001	64.10115.00	DISTRIBUTOR 1E AP	1
002	RQN1670/793	HEAD	1
003	RQ1670/15A	SUPPORT	1
004	RQ1670.4	PIN	1
005	RQN1670821	SEAL KIT	1

## 10. HYDRAULIC INSTALLATION

### HYDRAULIC TANK

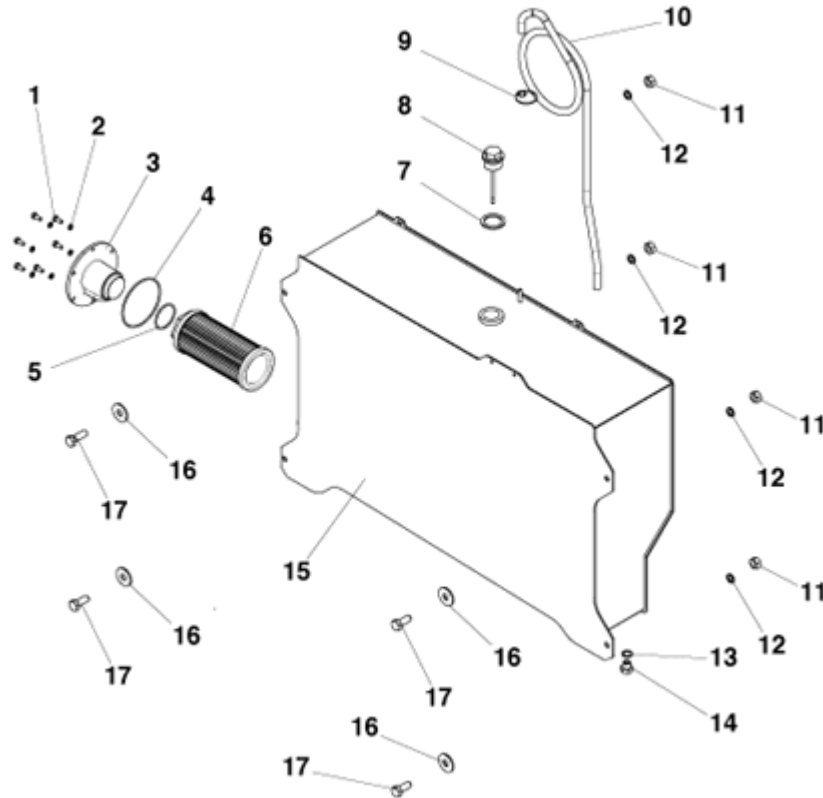


FIGURE	REFERENCE	DENOMINATION	AMOUNT
001	603.06015.86	SCREW DIN933 M6x15	6
002	104.06000.00	WASHER DIN7980 D6	6
003	43.70406.02	HYDRAULIC FILTER SUPPORT 62X128X92	1
004	201.95003.50	O-RING DIN3770	1
005	201.46003.50	O-RING DIN3770 46x52x3	1
006	58.01810.00	HIDRAULIC CATRIDGE INTANK	1
007	43.13444.00	GASKET MET. BUNA	1
008	46.10052.00	DIPSTICK 1 D5x85	1
009	912.08016.66	CLAMP DIN3017	1
010	469.03014.00	HOSE L/P MAT. 8x14	1
011	701.12000.66	NUT DIN934 M12x1.75	4
012	104.12000.00	WASHER DIN7980 D12	4
013	107.14000.10	WASHER AL 14x20x1.5	1
014	00.02803.00	SCREW DIN910*	1
015	64.10110.01	OIL TANK 65L.	1
016	112.12000.66	WASHER DIN9021 D 12X36	4
017	604.12035.86	SCREW DIN931 M12x35	1

## 10. HYDRAULIC INSTALLATION

### TELESCOPIC HOSES



FIGURE	REFERENCE	DENOMINATION	AMOUNT
001	64.10331.00	RACORD	1
002	64.10333.00	TUBE	0
003	64.10332.00	RACORD	1
004	70.10230.00	FITTING	2
005	70.10234.00	FITTING	1

006	57.10342.00	FITTING M/M M18X1.5-TL M26X1.5	1
007	70.10226.00	FITTING M/TL M16x2- M18x1,5	1
008	63.10301.00	HYDRAULIC HOSE R1T5/8 1920 TL-C45TL	1
009	70.10235.00	NIPPLE M/H 3/8GAS- 1/2GAS	2
010	63.10311.00	RACORD M/M /M M26X1.5	1
011	63.10312.00	FITTING M/M M22x1/2BSP	2
012	70.10222.00	FITTING M/M M18x3/8BSP	2
013	70.10253.00	FITTING	1
014	63.10302.00	HYDRAULIC HOSE R1T1/2 2440 C90TL-C90TL	1
015	46.10824.00	FITTING	1
016	63.10303.00	HYDRAULIC HOSE R1T5/8 2030 C90TL-C90TL	1
017	70.10229.00	FITTING	2
018	63.10304.00	HYDRAULIC HOSE R1T3/8 920 TL-C45TL	2
019	64.10311.00	GASKET MET. BUNA	4
020	70.10221.00	FITTING M/M M30x1/2BSP	1
021	63.10305.00	HYDRAULIC HOSE R1T3/4 2360 TL-C90TL	1
022	57.10307.00	FITTING	2
023	63.10306.00	HYDRAULIC HOSE R1T3/4 770 TL-C90TL	1
024	64.10301.00	FITTING M/M M16X1,5 - 1/4GAS	1
025	63.10307.00	HYDRAULIC HOSE R1T3/8 3000 TL-C90TL	2
026	63.10310.00	FITTING M/H 3/4GAS- 3/8GAS	2
027	63.10308.00	HYDRAULIC HOSE R1T3/8 1250 TL-C45TL	1
028	63.10309.00	HYDRAULIC HOSE R1T3/8 2230 C90TL-C45TL	1
029	64.10304.00	RACORD	2
030	64.10116.01	PRESSURE VALVE	1



## 11. ELECTRIC INSTALLATION

### JOYSTICK



FIGURE	REFERENCE	DENOMINATION	AMOUNT
001	70.11316.00	JOYSTICK	1
003	10.14329.01	SWITCH OTTO F-N-R	1
006	70.11344.00	JOYSTICK LEVER BODY	1
007	12.11013.02	TOP COVER JOYSTICK	1
008	43.50349.00	DUST PROTECTOR	1
009	10.13154.02	AXIS CIL/ROS 180XD25XM10	1

010 701.10000.66

NUT DIN934 M10x1.5

1

## 11. ELECTRIC INSTALLATION LIGHTS

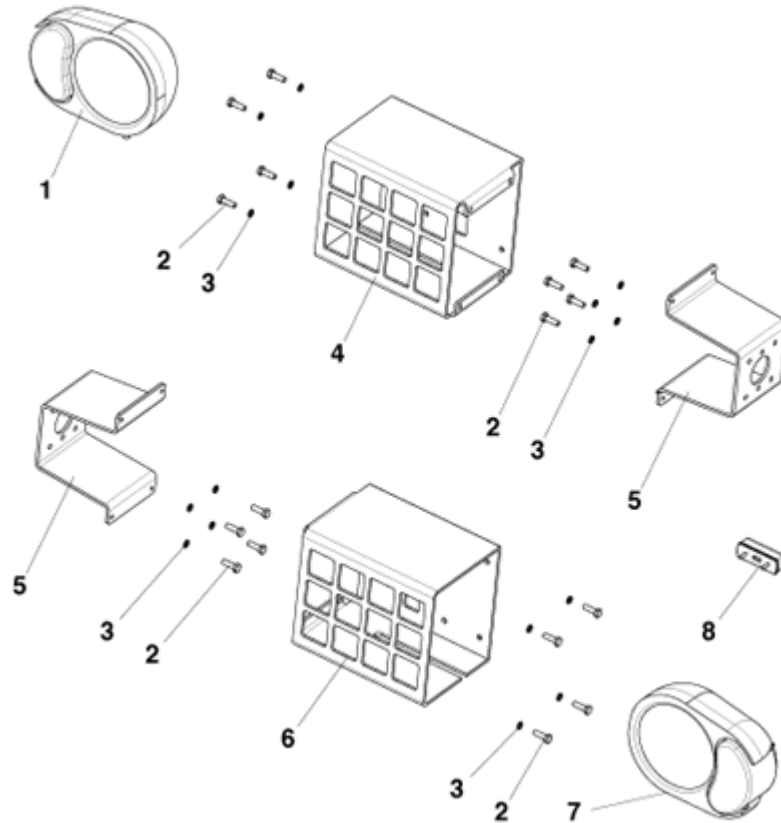


FIGURE	REFERENCE	DENOMINATION	AMOUNT
001	46.11061.00	RIGHT FRONT LIGHT	1
002	603.08025.86	SCREW DIN933 M8x25	8
003	104.08000.00	WASHER DIN7980 D8	8
004	64.11112.00	LIGHT SUPPORT 160X20X266 RIGHT	1
005	63.11014.00	SUPPORT	2
006	64.11111.00	SUPPORT 160x20x266, LEFT LIGHT	1
007	46.11062.00	LEFT FRONT LIGHT	1
008	46.10755.00	NUMBER PLATE LIGHT	1

## 11. ELECTRIC INSTALLATION

### LIGHTS

CHASSIS: 72119

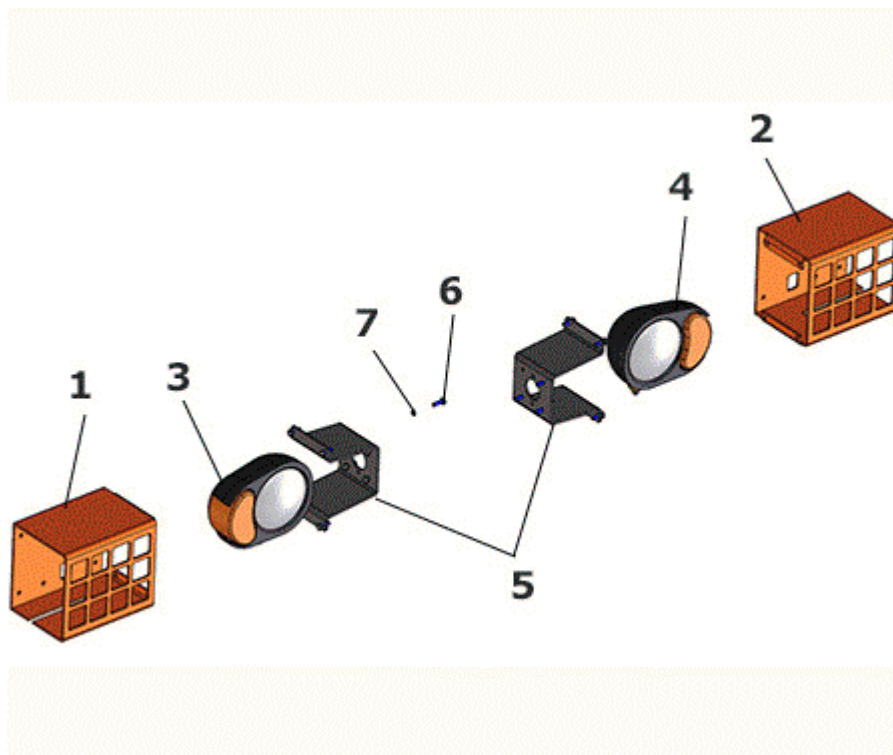


FIGURE	REFERENCE	DENOMINATION	AMOUNT
001	64.11112.00	LIGHT SUPPORT 160X20X266 RIGHT	1
002	64.11111.00	SUPPORT 160x20x266, LEFT LIGHT	1
003	46.11061.00	RIGHT FRONT LIGHT	1
004	46.11062.00	LEFT FRONT LIGHT	1
005	63.11014.00	SUPPORT	2
006	603.08015.86	SCREW DIN933 M8x15	16
007	104.08000.00	WASHER DIN7980 D8	16

## 11. ELECTRIC INSTALLATION BUZZERS

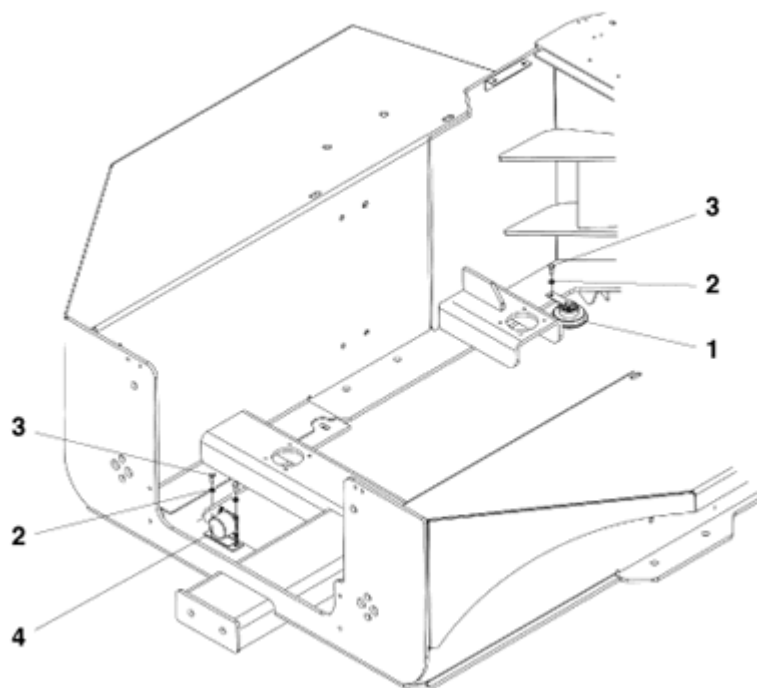


FIGURE	REFERENCE	DENOMINATION	AMOUNT
001	70.11309.00	HORN	1
002	101.08000.66	WASHER DIN125 D8	3
003	603.08020.86	SCREW DIN933 M8x20	2
004	70.11326.00	REVERSE BREAK ACOUSTIC WARNING	1

## 11. ELECTRIC INSTALLATION BATTERY

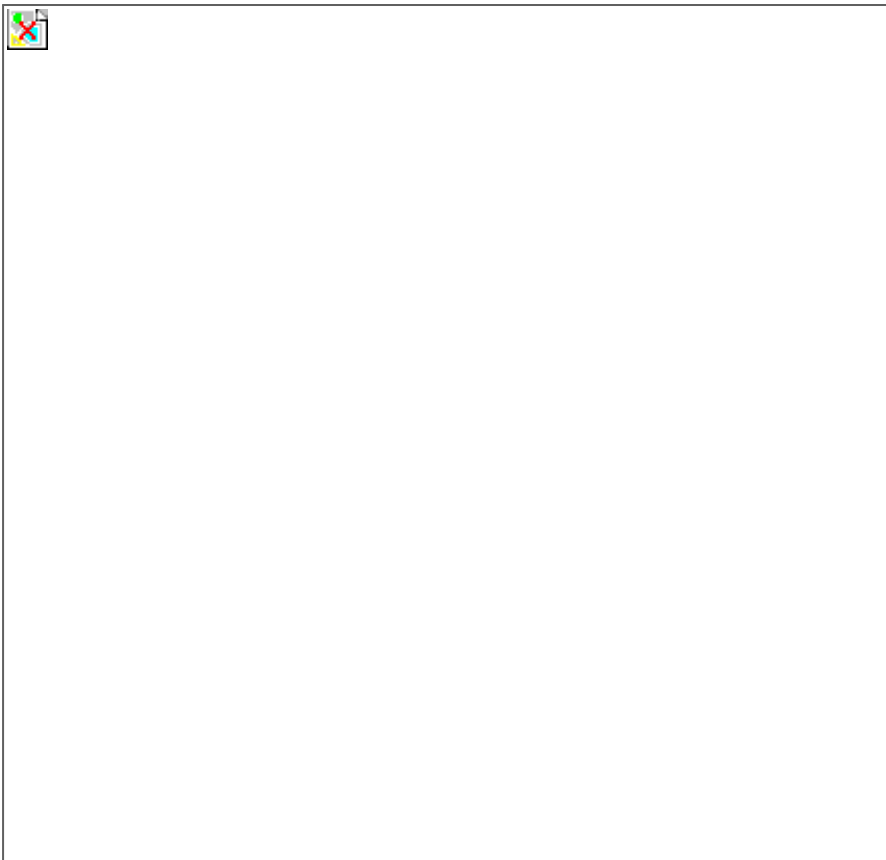


FIGURE	REFERENCE	DENOMINATION	AMOUNT
001	64.11110.00	BATTERY MHD 110.0	1
002	20.11101.00	FIXATION SUPPORT 2X10X70	1
003	603.06030.86	SCREW DIN933 M6x30	1
004	101.06000.66	WASHER DIN125 D6	1

## 11. ELECTRIC INSTALLATION

### BATTERY

CHASSIS: 54438



FIGURE	REFERENCE	DENOMINATION	AMOUNT
001	64.11110.00	BATTERY MHD 110.0	1
002	603.06030.86	SCREW DIN933 M6x30	1
003	101.06000.66	WASHER DIN125 D6	1
004	20.11101.00	FIXATION SUPPORT 2X10X70	1
006	63.11107.00	NEGATIVE ELECTRICAL CABLE	1
007	57.11005.00	NEGATIVE ELECTRIC CABLE	1
008	63.11105.00	POSITIVE ELEC. BATTERY	1

## 11. ELECTRIC INSTALLATION

### BATTERY

CHASSIS: 61255

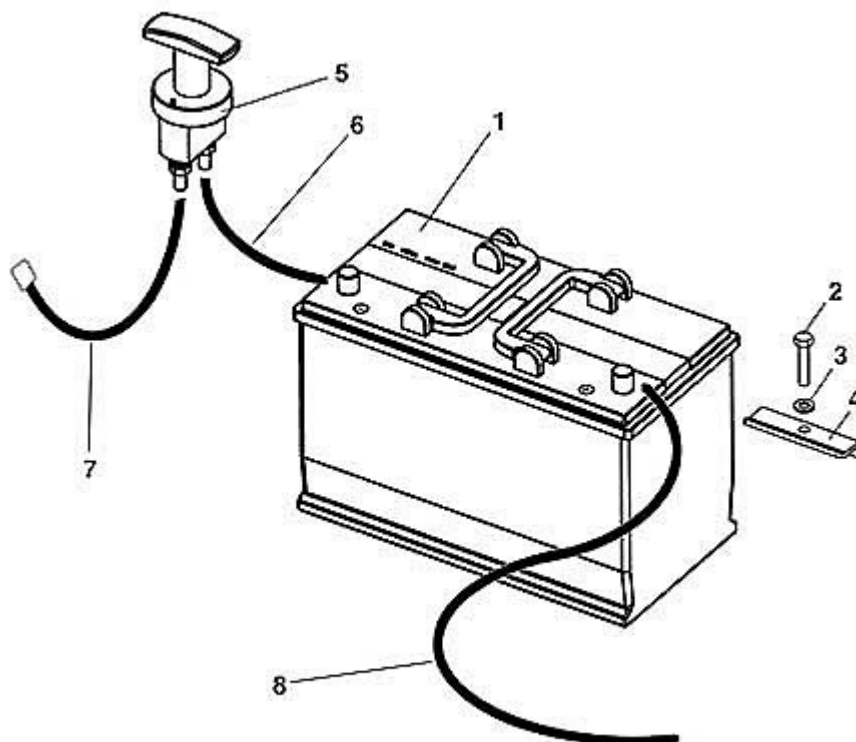


FIGURE	REFERENCE	DENOMINATION	AMOUNT
001	64.11110.01	BATTERY 92AH 760A	1
002	603.06030.86	SCREW DIN933 M6x30	1
003	101.06000.66	WASHER DIN125 D6	1
004	20.11101.00	FIXATION SUPPORT 2X10X70	1
006	63.11107.00	NEGATIVE ELECTRICAL CABLE	1
007	57.11005.00	NEGATIVE ELECTRIC CABLE	1
008	63.11105.00	POSITIVE ELEC. BATTERY	1



## 11. ELECTRIC INSTALLATION LIGHTING PANEL

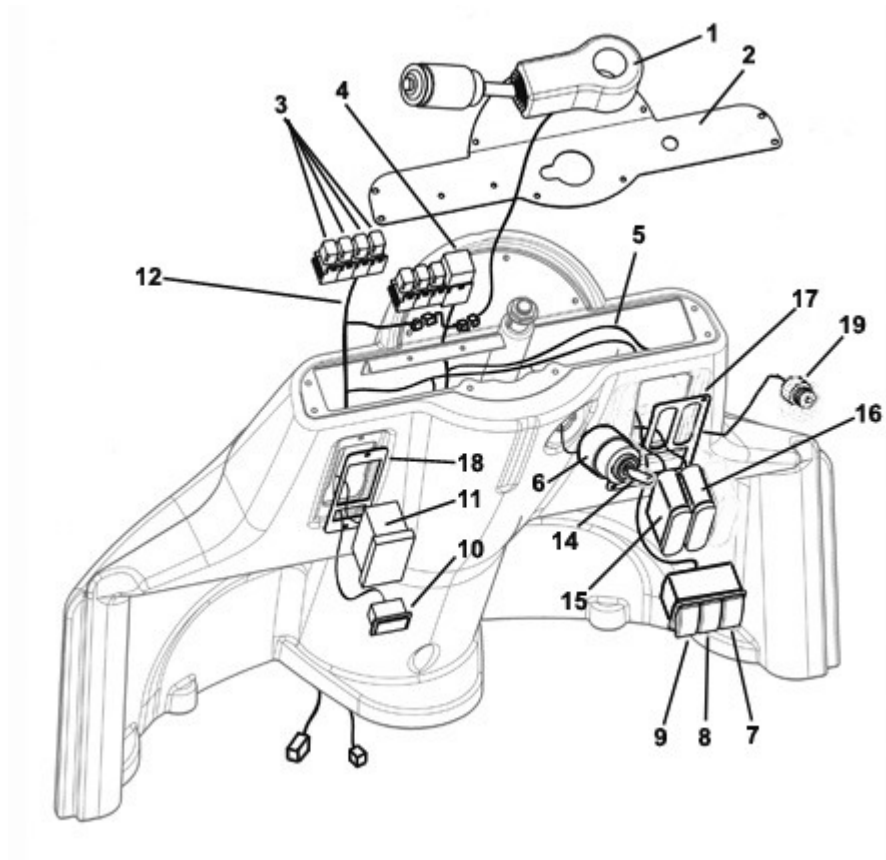


FIGURE	REFERENCE	DENOMINATION	AMOUNT
001	70.11323.00	LIGHTS SWITCH	1
002	70.11010.00	SUPPORT 503x184x2	1
003	IM.20026.03	MICRO RELAY WITH DIODE	4
004	IM.20025.00	INTERMITTENCE BOX	1
005	70.11315.00	WIRE HARNESS, LIGHTS PANEL	2
006	IM.20024.00	SWITCH	1
007	IM.20037.00	SWITCH, WARNING	1
008	70.11328.00	horn switch	1
009	70.11327.00	SWITCH ROTARY FARO	1
010	IM.20040.00	HOURMETER	1
011	IM.20022.00	FUSE BOX	1
012	70.11301.00	I/E PANEL AMA	1
013	70.11325.00	SUPPORT, DASHPANEL RELAYS	1
014	IM.20032.00	KEY	1
015	70.11335.00	INDICATOR, BATTERY ALARM	1
016	70.11336.00	INDICATOR, LIGHTS ALARM	1
017	70.11012.00	SUPPORT	1
018	70.11011.00	SUPPORT, FUSES PLATE	1

## 11. ELECTRIC INSTALLATION

### LIGHTING PANEL

FIGURE	REFERENCE	DENOMINATION	AMOUNT
019	12.11033.00	HORN KPE650	1

# 11. ELECTRIC INSTALLATION

## LIGHTING PANEL

CHASSIS: 72119

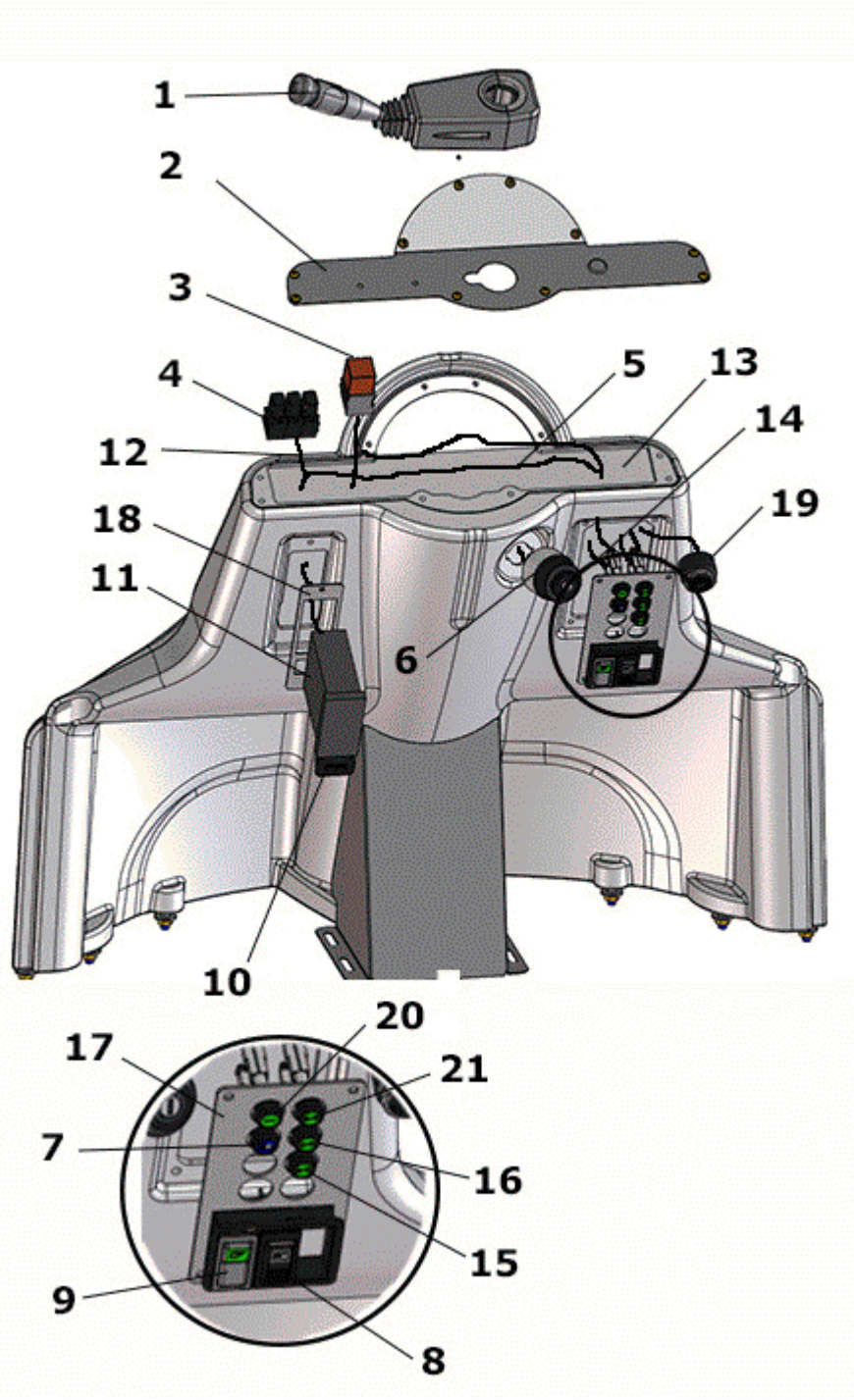


FIGURE	REFERENCE	DENOMINATION	AMOUNT
001	70.11323.00	LIGHTS SWITCH	1
002	70.11010.00	SUPPORT 503x184x2	1
003	IM.20026.03	MICRO RELAY WITH DIODE	4
004	IM.20025.00	INTERMITTENCE BOX	1
005	70.11315.00	WIRE HARNESS, LIGHTS PANEL	2
006	IM.20024.00	SWITCH	1

007	IM.20112.00	BEAM LIGHTS INDICATOR	1
008	70.11328.00	horn switch	1
009	70.11327.00	SWITCH ROTARY FARO	1
010	IM.20040.00	HOURMETER	1
011	IM.20022.00	FUSE BOX	1
012	70.11301.00	I/E PANEL AMA	1
013	70.11325.00	SUPPORT, DASHPANEL RELAYS	1
014	IM.20032.00	KEY	1
015	70.11335.00	INDICATOR, BATTERY ALARM	1
016	70.11336.00	INDICATOR, LIGHTS ALARM	1
017	70.11012.00	SUPPORT	1
018	70.11011.00	SUPPORT, FUSES PLATE	1
019	12.11033.00	HORN KPE650	1
020	IM.20107.00	INTERMITTENT LIGHT INDICATOR	1
021	IM.20111.00	LUZ TESTIGO LUZ POSIC.	1

## 11. ELECTRIC INSTALLATION ENGINE WIRING HARNESS

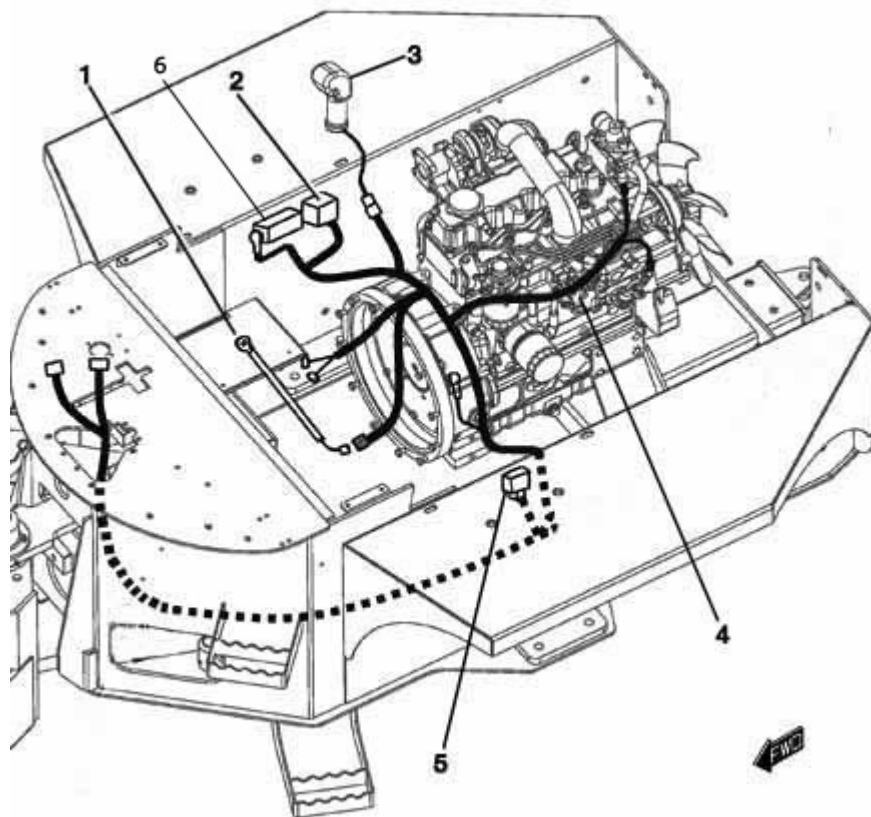


FIGURE	REFERENCE	DENOMINATION	AMOUNT
001	63.11110.00	HILT WITH CABLE 980mm	1
002	10.14288.00	STARTING RELAY 70A	1
003	70.11316.00	JOYSTICK	1
004	63.11103.00		1
005	KU1K53365661	KUBOTA ENGINE GLOW PLUG	1
006	64.11300.00	4 FUSE BOX MTA MAXIVAL	1

## 11. ELECTRIC INSTALLATION

### ELECTRICAL CONNECTION (GENERAL SECTION)

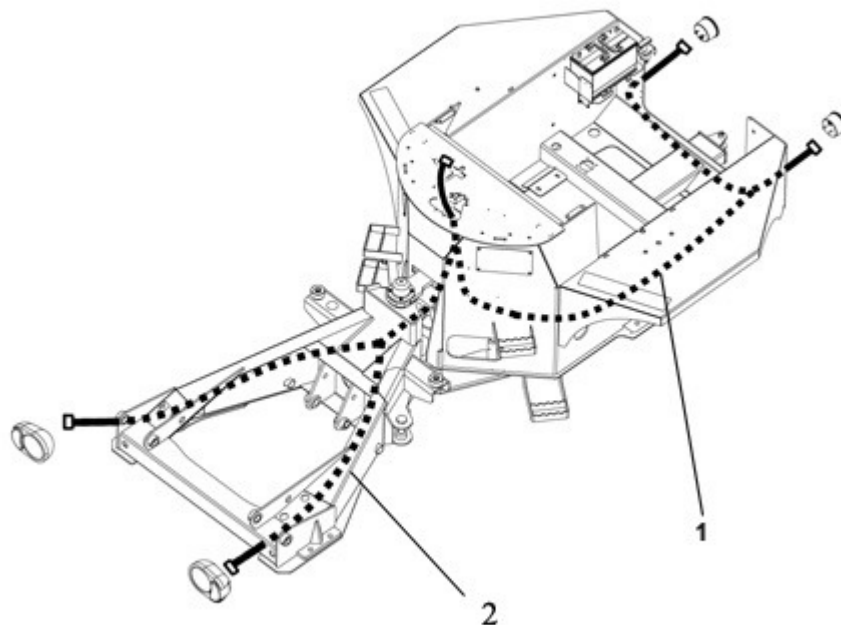


FIGURE	REFERENCE	DENOMINATION	AMOUNT
001	64.11005.00		1
002	63.11104.00	SECTION I / E HEADLIGHTS	1

## 11. ELECTRIC INSTALLATION

### ELECTRICAL CONNECTION (GENERAL SECTION)

CHASSIS: 66389

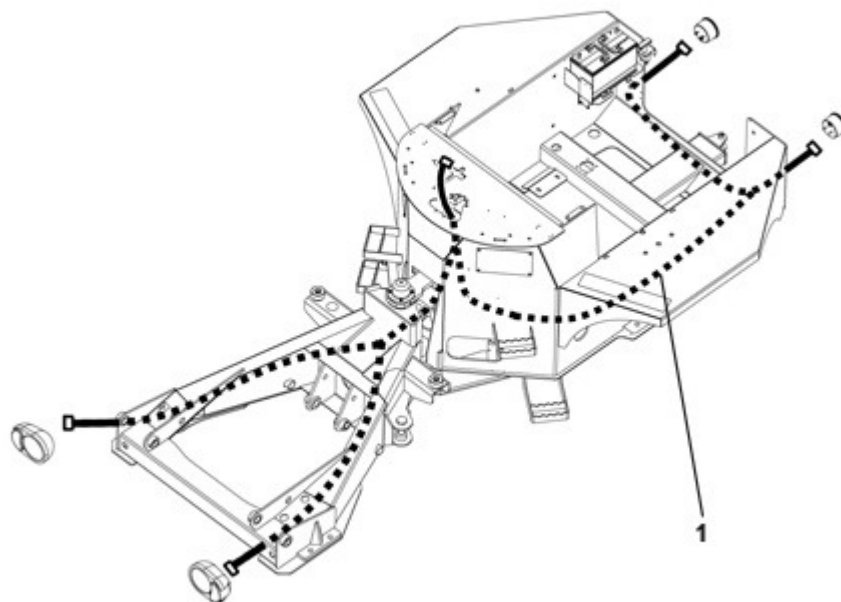


FIGURE	REFERENCE	DENOMINATION	AMOUNT
001	64.11004.01		1
001	63.11104.01	SECTION I / E HEADLIGHTS	1

## 11. ELECTRIC INSTALLATION

### ELECTRICAL CONNECTION (GENERAL SECTION)

CHASSIS: 72119

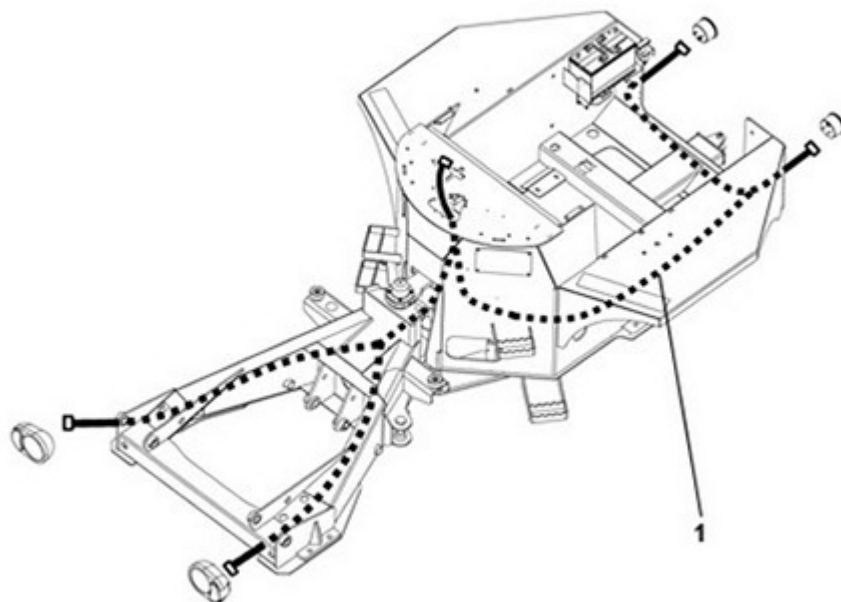


FIGURE	REFERENCE	DENOMINATION	AMOUNT
001	64.11004.01		1



## 11. ELECTRIC INSTALLATION BUZZERS

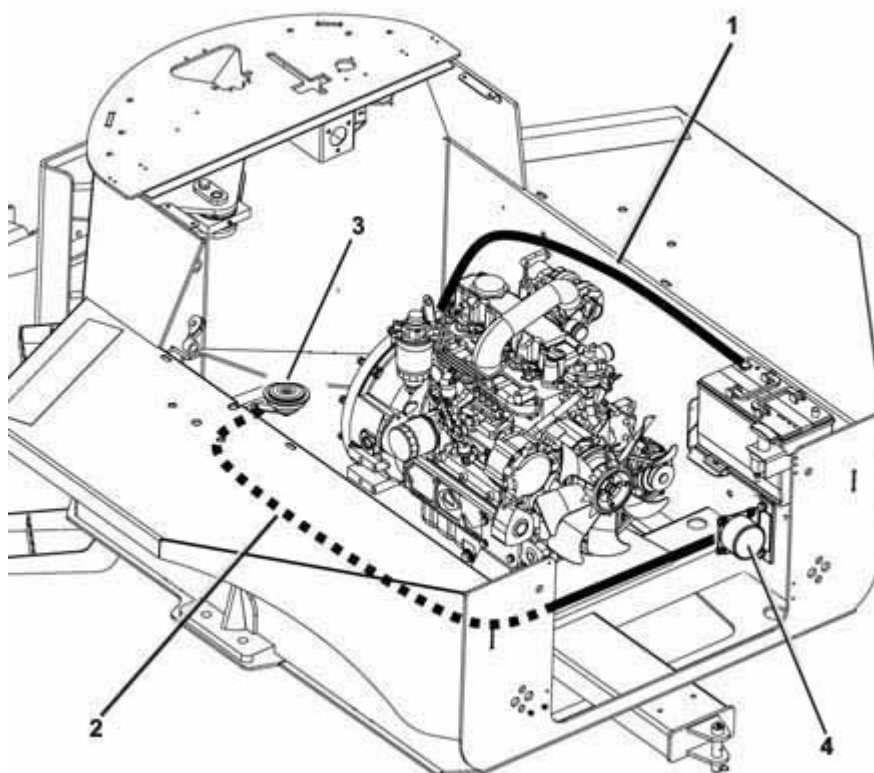


FIGURE	REFERENCE	DENOMINATION	AMOUNT
001	63.11106.00		1
002	63.11101.00		1
003	70.11309.00	HORN	1
004	70.11326.00	REVERSE BREAK ACOUSTIC WARNING	1

## 11. ELECTRIC INSTALLATION

### ENGINE LENGTH - STARTING (PART 1)

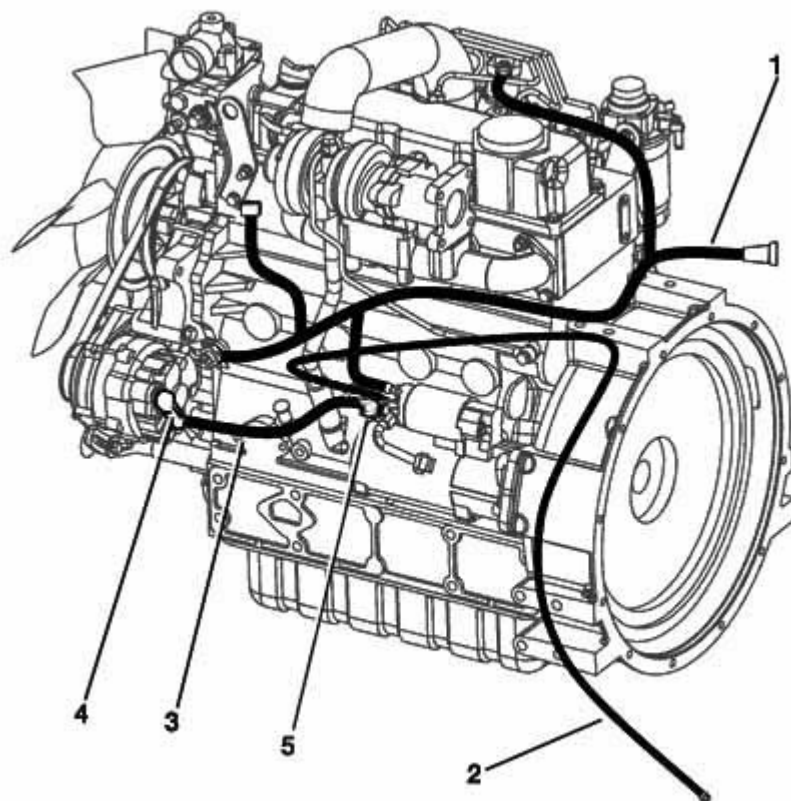


FIGURE	REFERENCE	DENOMINATION	AMOUNT
001	63.11103.00		1
002	63.11101.00		1
003	64.11007.00	WIRE, DYNAMO	1
004	32.11046.00	ALTERNATOR RUBBER TERMINAL PROTECTOR	1
005	01.00855.00	ACC. FORK	1

## 11. ELECTRIC INSTALLATION

### ROTATING BEACON

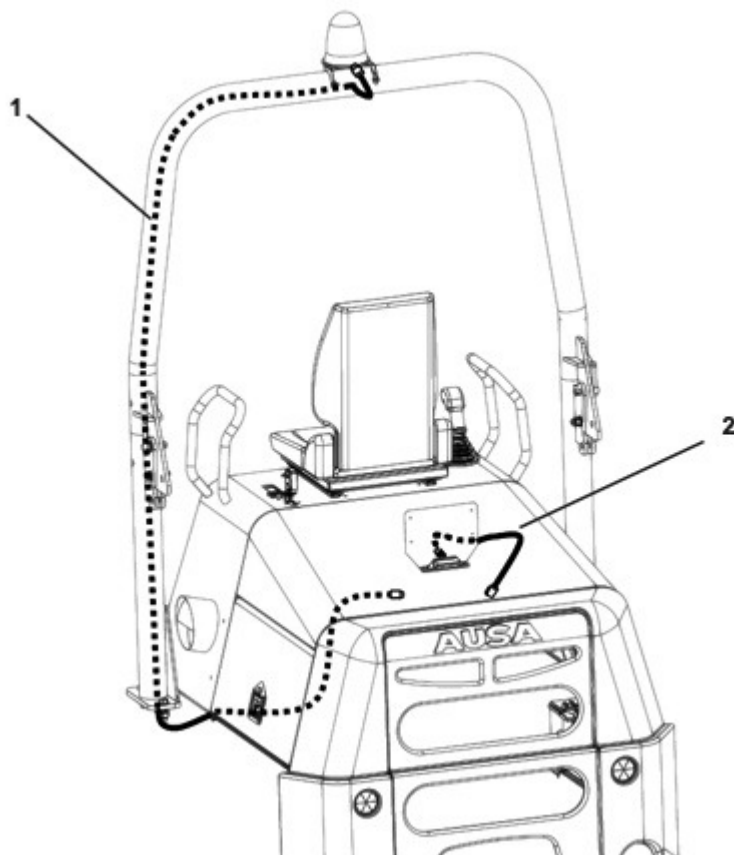


FIGURE	REFERENCE	DENOMINATION	AMOUNT
001	63.11108.00	WIRE HARNESS, ROTATING BEACON	1
002	01.00885.00	LENGTH ELEC. INSTAL.	1

# 11. ELECTRIC INSTALLATION

## ROTATING BEACON

CHASSIS: 72119

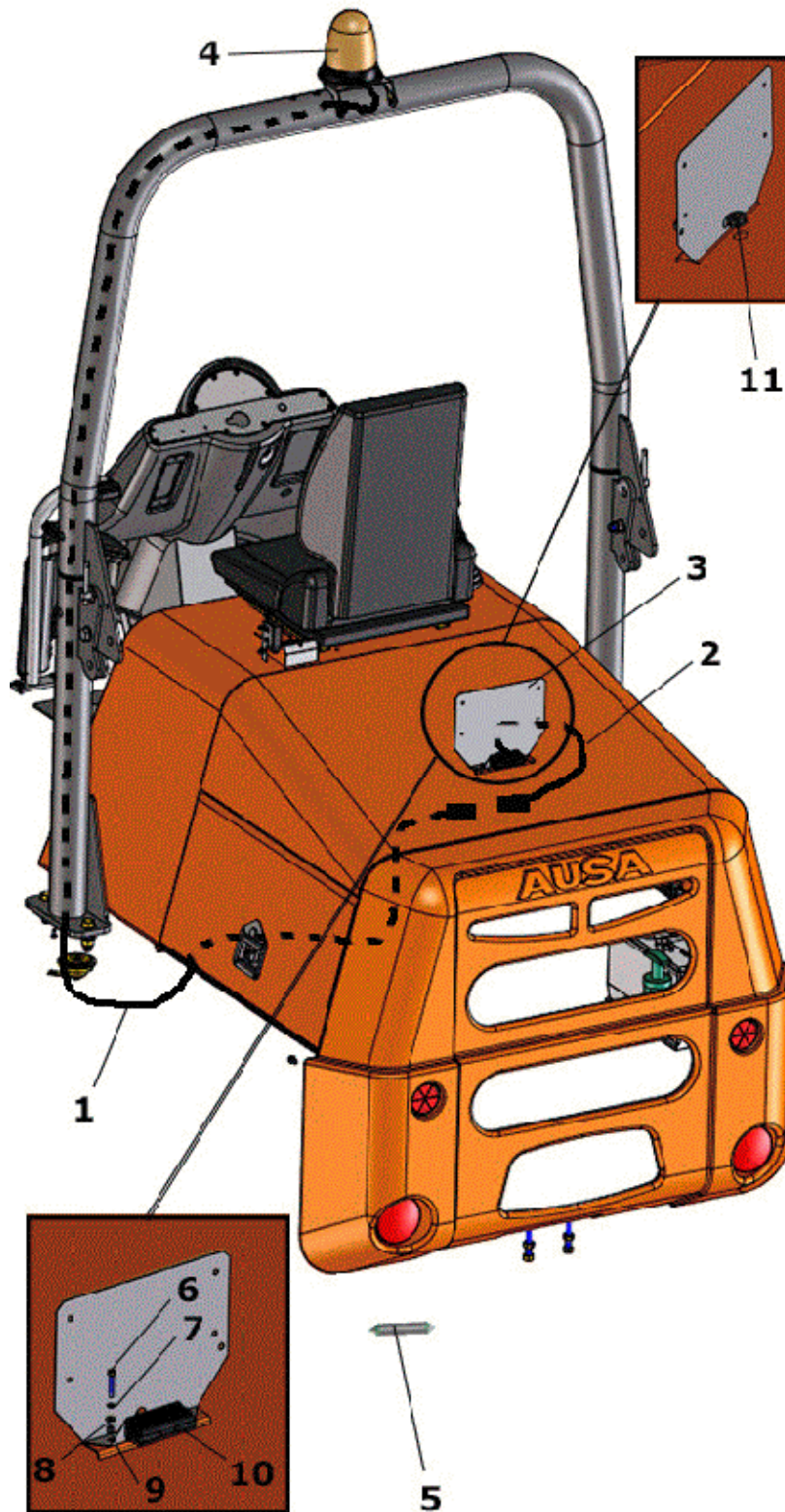


FIGURE	REFERENCE	DENOMINATION	AMOUNT
001	63.11108.00	WIRE HARNESS, ROTATING BEACON	1
002	01.00885.00	LENGTH ELEC. INSTAL.	1
003	46.10754.00	PIN SUPPORT 25x195x250	1

004	01.00921.00	BEACON	1
005	46.01324.00	LAMP 12V 5W	1
006	630.06015.96	SCREW ISO7380 M6x15	2
007	104.06000.00	WASHER DIN7980 D6	2
008	104.06000.00	WASHER DIN7980 D6	2
009	701.06000.66	NUT DIN934 M6X1	2
010	46.10755.00	NUMBER PLATE LIGHT	1
011	16.00760.00	BUSH	1

## 11. ELECTRIC INSTALLATION

CHASSIS: 72119

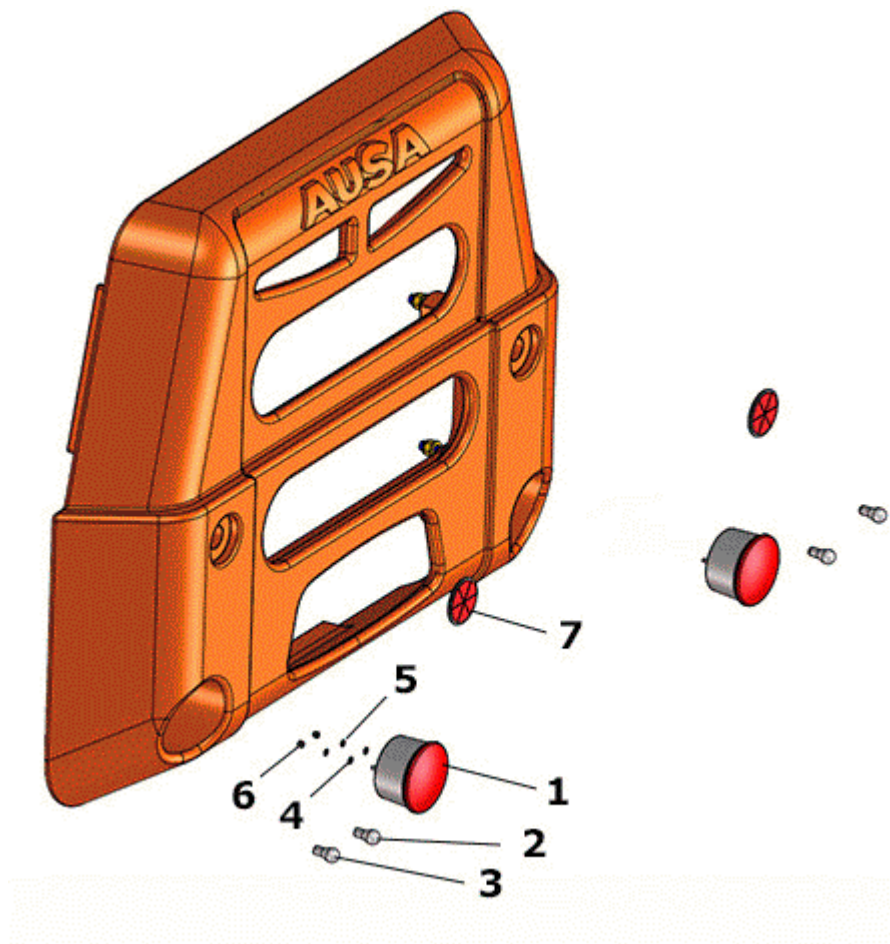


FIGURE	REFERENCE	DENOMINATION	AMOUNT
001	10.14211.00	POSITION-INTERMITTENCE-BRAKING WORKING LIGHTS	2
002	31.01331.00	LAMP 12V 21W/5W	2
003	31.01329.00	LAMP 12V 21W	2
004	104.06000.00	WASHER DIN7980 D6	4
005	105.06000.66	CIR-CLIP DIN7980	4
006	701.06000.66	NUT DIN934 M6X1	4
007	10.11017.00	RED REFLECTOR	2



## 12. FINISHES

### STICKERS & PLATES (PART 1)

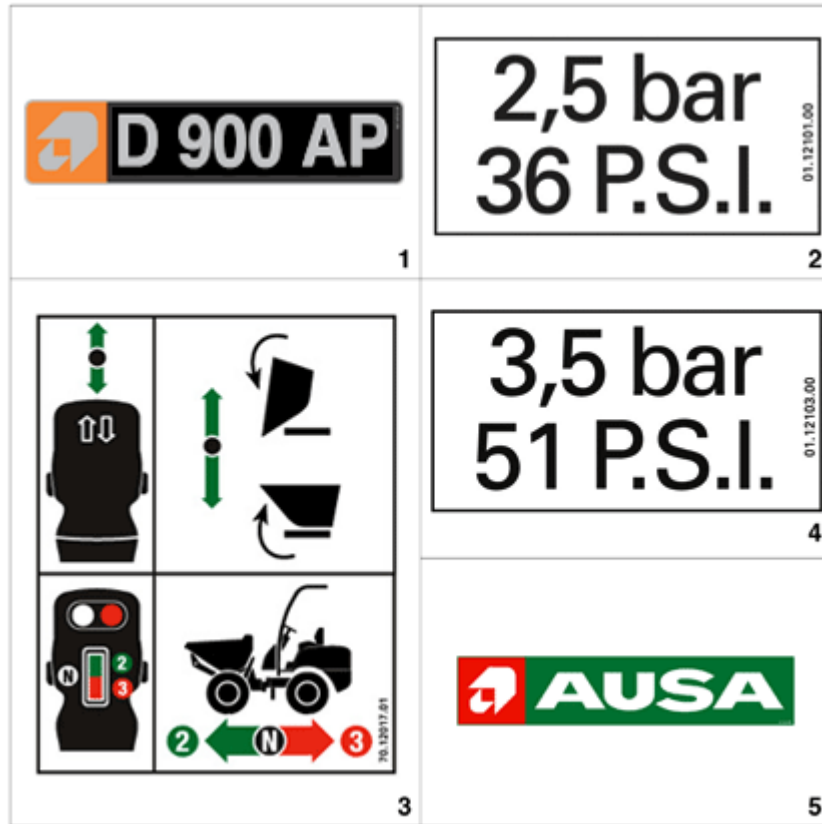


FIGURE	REFERENCE	DENOMINATION	AMOUNT
001	63.12112.00	MODEL INDICATOR	1
002	01.12101.00	2,5 BAR / 36 PSI PRESSURE ADHESIVE	2
003	70.12018.00	ADHESIVE CONTROLS LEVER	1
004	01.12103.00	AD. IND. PRESSURE 3,5 BAR /51 PSI	2
005	13.12136.02	ADHESIVE, AUSA 720x147	2

## 12. FINISHES

### STICKERS & PLATES (PART 3)

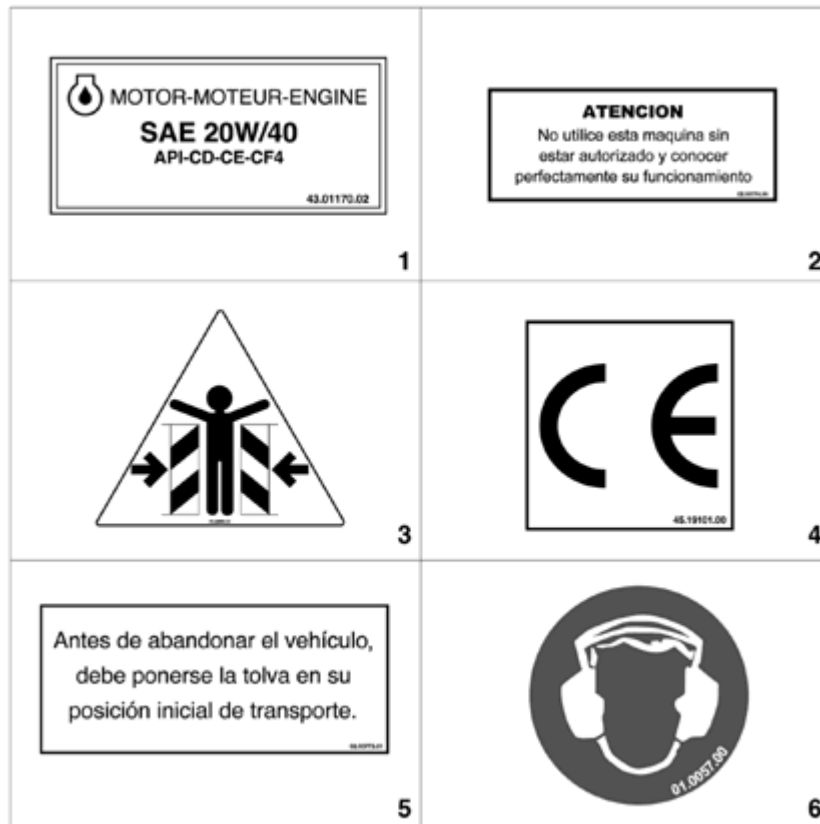


FIGURE	REFERENCE	DENOMINATION	AMOUNT
001	43.01170.02	PLATE AD. INDI	1
002	02.00774.00	PLATE AD. INDI	1
003	60.22350.00	PLATE AD. INDI	2
004	45.19101.00	PLATE AD. INDI	2
005	02.00773.01	PLATE AD. INDI	1
006	01.00757.00	PLATE AD. INDI	1



## 12. FINISHES STICKERS & PLATES (PART 4)



FIGURE	REFERENCE	DENOMINATION	AMOUNT
001	14.00770.00	PLATE AD. INDI	1
002	09.15720.00	PLATE AD. INDI	2
003	02.20003.00	PLATE AD. INDI	2
004	14.00775.00	PLATE AD. INDI	1
004	14.00775.01	PLATE AD. INDI	1
004	14.00775.02	PLATE AD. INDI	1
004	14.00775.03	PLATE AD. INDI	1
004	14.00775.04	PLATE AD. INDI	1
004	14.00775.05	PLATE AD. INDI ITALIANO	1
005	64.12113.00	ADHESIVE, 40x40 GEARS	1
006	01.00779.28	PLATE CHARAC.	1

## 12. FINISHES

### STICKERS & PLATES (PART 2)

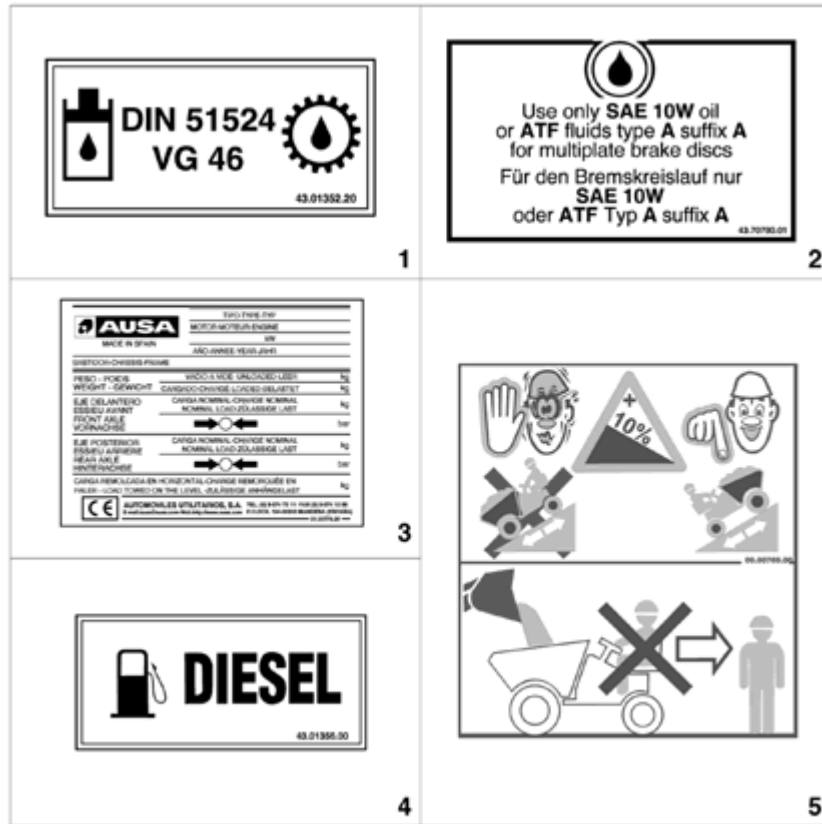


FIGURE	REFERENCE	DENOMINATION	AMOUNT
001	43.01352.10	PLATE AD. INDI	1
002	55.00780.00	PLATE AD. INDI	1
003	01.00779.26	PLATE - CONTACT WITH AUSA	1
004	43.01356.00	PLATE AD. INDI	1
005	09.00769.00	PLATE AD. INDI	1

## 12. FINISHES

### STICKERS & PLATES (PART 5)

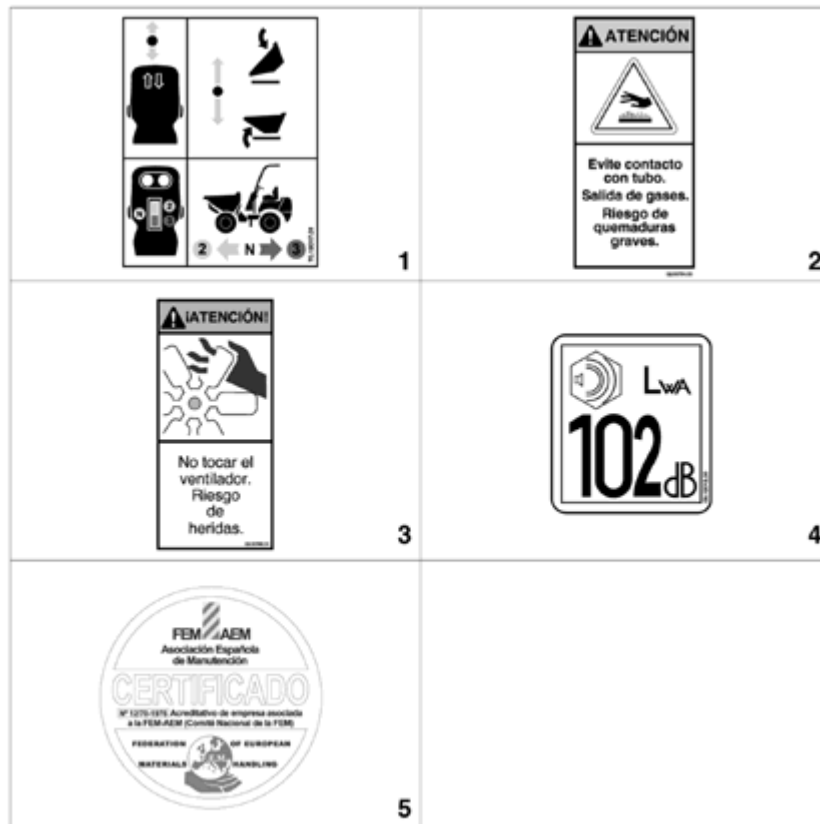


FIGURE	REFERENCE	DENOMINATION	AMOUNT
001	70.12017.01	ADH. PLATE CONTROL LEVER	1
002	02.00764.00	PLATE AD. INDI	2
002	02.00764.01	PLATE AD. INDI	2
002	02.00764.02	PLATE AD. INDI	2
002	02.00764.03	INDICATIVE ADHESIVE 40X80 ENGLISH	2
003	02.00766.00	INDICATIVE STICKER 40x80 USA DO NOT TOUCH	2
003	02.00766.01	ADH. PLATE IND. 40x80, SPANISH	2
003	02.00766.02	ADHESIVE 40X80 FRENCH	2
003	02.00766.03	ADHESIVE 40X80 GERMAN	2
004	09.12012.00	ADHESIVE	1
005	00.00013.00	ADHESIVE	1

## 12. FINISHES

### STICKERS & PLATES (PART 5)

CHASSIS: 67824

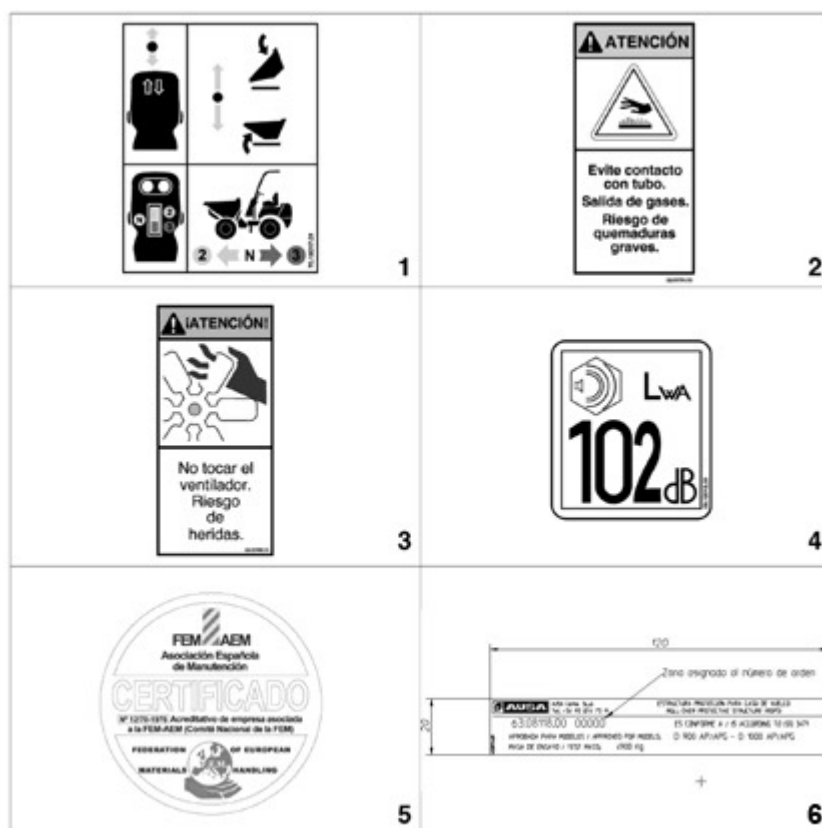


FIGURE	REFERENCE	DENOMINATION	AMOUNT
001	70.12017.01	ADH. PLATE CONTROL LEVER	1
002	02.00764.00	PLATE AD. INDI	2
002	02.00764.01	PLATE AD. INDI	2
002	02.00764.02	PLATE AD. INDI	2
002	02.00764.03	INDICATIVE ADHESIVE 40X80 ENGLISH	2
003	02.00766.00	INDICATIVE STICKER 40x80 USA DO NOT TOUCH	2
003	02.00766.01	ADH. PLATE IND. 40x80, SPANISH	2
003	02.00766.02	ADHESIVE 40X80 FRENCH	2
003	02.00766.03	ADHESIVE 40X80 GERMAN	2
004	09.12012.00	ADHESIVE	1
005	00.00013.00	ADHESIVE	1

## INDEX

---

### 00. MAINTENANCE

Filters kit 2

#### engine kubota v3800 di -t

ENGINE 3

ENGINE - 71099 4

#### KUBOTA ENGINE

MOTOR COUPLING 5

EXHAUST PIPE 6

Air filter 7

Air filter - 72119 8

Accelerator pedal 9

Réservoir de carburant (Partie 1) 10

Réservoir de carburant (Partie 1) - 61801 11

Réservoir de carburant (Partie 1) - 69730 13

Réservoir de carburant (Partie 1) - 71155 15

Réservoir de carburant (Partie 2) 16

Réservoir de carburant (Partie 2) - 71099 17

#### engine kubota v3800 di -t

COOLING RADIATOR 18

COOLING RADIATOR - 66624 19

#### KUBOTA ENGINE

Fluid reservoir frein 20

Fluid reservoir frein - 52189 21

DIESEL PARTICULATE FILTER MUFFLER (PART 1) 22

DIESEL PARTICULATE FILTER MUFFLER (PART 2) 23

DIESEL PARTICULATE FILTER MUFFLER (PART 3) 24

DIESEL PARTICULATE FILTER MUFFLER (PART 4) 25

### 03. TRANSMISSION

Complete reducer box 26

Complete reducer box - 61801 27

Complete reducer box - 63011 28

GEARBOX (INTERNAL) 29

GEARBOX (INTERNAL) - 63011 30

TRANSMISSION	32
TRANSMISSION - 52189	33
Gearbox int. (Part 1)	34
INTERNAL TRANSMISSION (2)	36
Gearbox int. (Part 3)	37
INTERNAL TRANSMISSION (4)	39
INTERNAL TRANSMISSION (5)	40
INTERNAL TRANSMISSION (6)	42
FRONT AXLE	44
FRONT AXLE - 61801	45
FRONT AXLE - 63011	46
FRONT AXLE (DIFFERENTIAL)	47
FRONT AXLE (DIFFERENTIAL) - 63011	48
FRONT AXLE - MAINCASE ASSY	49
FRONT AXLE - MAINCASE ASSY - 63011	50
FRONT AXLE - REDUCTION	51
FRONT AXLE - REDUCTION - 63011	52
Rear axle	54
Rear axle - 61801	55
Rear axle - 63011	56
REAR AXLE - DIFFERENTIAL	57
REAR AXLE - DIFFERENTIAL - 63011	58
REAR AXLE - HOUSING	59
REAR AXLE - HOUSING - 63011	60
REAR AXLE - HUB REDUCTION	61
REAR AXLE - HUB REDUCTION - 63011	62
UNIVERSAL JOINT	64
UNIVERSAL JOINT - 63011	65
UNIVERSAL JOINT - 68237	66
<b>04. CHASSIS</b>	
Chassis	67
Chassis - 63011	68
Chassis	69
Chassis axle (Part 1)	71
Chassis axle (Part 1) - 57712	73
Chassis axle (Part 1) - 60284	74
Chassis axle (Part 1) - 60554	75
Chassis axle (Part 1) - 66624	76
Chassis axle (Part 1) - 71411	77
Chassis axle (Part 2)	78
Chassis axle (Part 2) - 57712	79

Chassis axle (Part 2) - 60170 80

## 05. BRAKE ACTIVATION

FOOT BRAKE 81

FOOT BRAKE - 63011 82

Handbrake 83

Handbrake - 57482 84

Handbrake - 63011 85

Handbrake - 63087 86

Handbrake - 68354 87

Handbrake - 72728 88

## 06. STEERING

Drive Pinion 89

Drive Pinion - 50367 90

Drive Pinion - 63414 91

## 07. WHEELS

WHEELS 92

WHEELS - 63011 93

## 08. BODYWORK

SHEETS (1) 94

SHEETS (2) 95

SHEETS (2) - 70605 96

SHEETS (3) 97

SHEETS (4) 98

CAB AND PROTECTORS (1) 99

CAB AND PROTECTORS (1) - 60965 100

CAB AND PROTECTORS (2) 101

Counterweight 103

Seat 104

Seat - 62936 105

## 09. MACHINE FUNCTIONS IMPLEMENTS

Overturning system 106

## 10. HYDRAULIC INSTALLATION

Pompe 107

Distributor 108

Hydraulic tank 109

Telescopic hoses 110

## 11. ELECTRIC INSTALLATION

JOYSTICK 111

Lights 112

Lights - 72119 113

BUZZERS 114

Battery 115

Battery - 54438 116

Battery - 61255 117

Lighting Panel 118

Lighting Panel - 72119 120

Engine wiring harness 121

ELECTRICAL CONNECTION (GENERAL SECTION) 122

ELECTRICAL CONNECTION (GENERAL SECTION) - 66389 123

ELECTRICAL CONNECTION (GENERAL SECTION) - 72119 124

BUZZERS 125

Engine length - Starting (Part 1) 126

Rotating Beacon 127

Rotating Beacon - 72119 128

- 72119 129

## 12. FINISHES

STICKERS & PLATES (PART 1) 130

STICKERS & PLATES (PART 3) 131

STICKERS & PLATES (PART 4) 132

STICKERS & PLATES (PART 2) 133

STICKERS & PLATES (PART 5) 134

STICKERS & PLATES (PART 5) - 67824 135